

ARHC-1

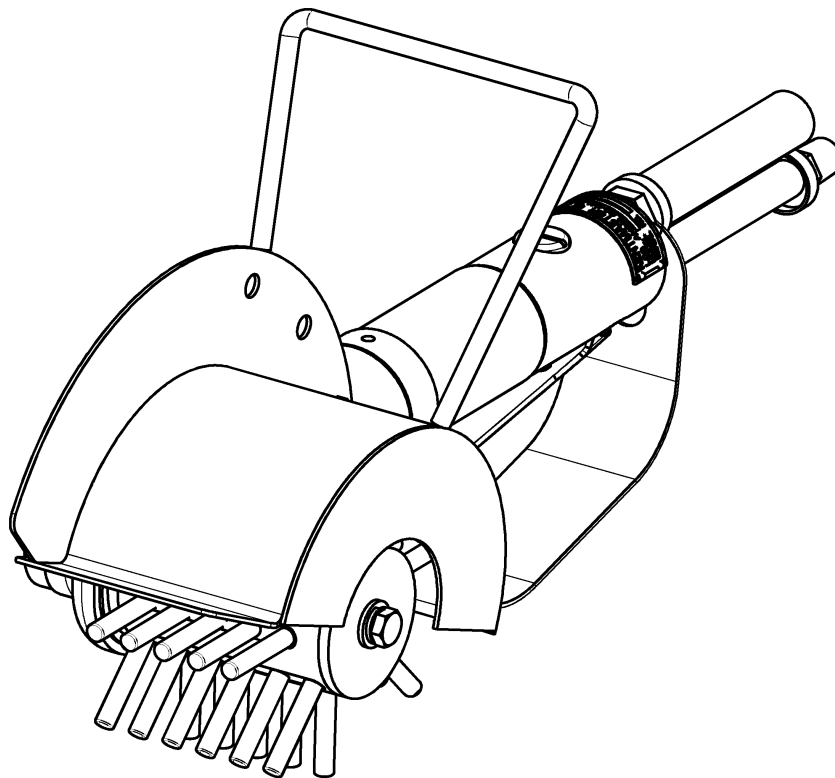
INCLUDING: OPERATION, INSTRUCTION, INSTALLATION, MAINTENANCE AND PARTSBOOK

IMPORTANT: READ THIS MANUAL CAREFULLY BEFORE INSTALLING, OPERATING OR SERVICING
THIS TOOL.


AIR ROTO HIDE CLEANER

TOOL DATA

MODEL: ARHC-1
ASSEMBLY NO. 6220050
TYPE: AIR OPERATED
NET WEIGHT: 6.6 Lbs (3 Kg)
INLET AIR PRESSURE: 90 P.S.I. (6 BARS)




= Hazards or unsafe practices which could result in severe personal injury, death or substantial property damage.


 **CAUTION** = Hazards or unsafe practices which could result in minor personal injury, product or property damage.

= Important installation, operation or maintenance information.

OPERATING AND SAFETY INSTRUCTIONS

 **WARNING** DO NOT OPERATE THIS TOOL UNTIL YOU HAVE READ AND UNDERSTOOD THE SAFETY INSTRUCTIONS AND OPERATING MANUALS.


 **WARNING** DO NOT OPERATE THIS TOOL UNTIL YOU HAVE RECEIVED TRAINING IN THE HANDLING, OPERATION AND USE OF THIS TOOL.

 **WARNING** STOP USING A MALFUNCTIONING OR DEFECTIVE TOOL IMMEDIATELY. REPORT ANY PROBLEMS OR DEFECTS TO YOUR SUPERVISOR FOR REMOVAL OF THE TOOL FROM SERVICE.

 **WARNING** DO NOT ATTEMPT TO REPAIR THE TOOL YOURSELF.

 **WARNING** DO NOT ALLOW UNAUTHORIZED PERSONS TO USE TOOL.


 **WARNING** REMOVE AND DISCONNECT POWER FROM THE TOOL WHEN TOOL IS LEFT UNATTENDED OR IS NOT IN USE.

 **WARNING** NEVER TIE DOWN, BYPASS, ALTER OR MODIFY THE ACTIVATING SWITCHES OR TRIGGERS OF THIS TOOL.

 **WARNING** NEVER MAKE ALTERATIONS OR MODIFICATIONS TO THIS TOOL.

 **WARNING** BE CONSTANTLY AWARE AND ALERT FOR UNSAFE CONDITIONS AND REPORT THEM IMMEDIATELY TO YOUR SUPERVISOR.

 **WARNING** NEVER PLACE YOUR HAND OR ANY PART OF YOUR BODY IN THE CUTTING PATH OF THE TOOL.

 **WARNING** NEVER ALLOW ANYONE ELSE TO PLACE THEIR HANDS OR ANY PART OF THEIR BODY IN THE CUTTING PATH OF THE TOOL.

 **WARNING** DO NOT ACTIVATE CONTROL SWITCHES OR TRIGGERS OF THIS TOOL UNLESS YOU INTEND TO TEST OR OPERATE THIS TOOL.

 **WARNING** DO NOT USE THIS TOOL FOR ANY PURPOSE OTHER THAN IT'S INTENDED PURPOSE.

WHEN OPERATING THIS TOOL WEAR THE PROTECTIVE GEAR AND SAFETY EQUIPMENT SUPPLIED TO YOU.

 **CAUTION**

THE NOISE EMISSION (SOUND PRESSURE LEVEL) AT THE WORKSTATION MAY EXCEED 80 dB (A). EAR AND SOUND PROTECTION GEAR IS REQUIRED.

 **WARNING**

OPERATING INSTRUCTIONS

⚠ WARNING ONLY TRAINED PERSONNEL ARE TO OPERATE THIS TOOL.

1. TO ENSURE TOOL IS OPERATING PROPERLY, PERFORM FOLLOWING STEPS AT START OF EACH SHIFT:
 - MAKE SURE TOOL MOVES UP AND DOWN FREELY WHILE HANGING FROM BALANCER OVERHEAD.
 - WITH POWER TO TOOL TURNED ON, TEST TRIGGER FOR PROPER OPERATION.
 - DEPRESS EACH TRIGGER SEPARATELY. TOOL SHOULD NOT ACTIVATE. DEPRESS BOTH TRIGGERS. TOOL SHOULD ACTIVATE.
 - IF TOOL HAS "ANTI-TIE DOWN" OPTION, BOTH TRIGGERS MUST BE DEPRESSED SIMULTANEOUSLY FOR TOOL TO ACTIVATE.
2. TO PERFORM WORK, HOLD TOOL FIRMLY AT BOTH HANDLES. SQUEEZE TRIGGERS TO ACTIVATE TOOL.
3. DO NOT EXERT EXCESSIVE PRESSURE. ALLOW TIME FOR THE TOOL TO CUT.
4. TOOL REQUIRES 40 S.C.F.M. OF AIR @ 90 P.S.I. AIR PRESSURE.

MAINTENANCE

⚠ WARNING ONLY TRAINED AND QUALIFIED PERSONNEL ARE TO PERFORM MAINTENANCE AND SERVICE TO THIS TOOL.

1. FILL LUBRICATOR WITH KENTMASTER AIR MIST OIL (PART NO. 7903050). SET DRIP RATE ACCORDING TO INSTRUCTIONS SUPPLIED.
2. TOOL REQUIRES GREASING AT START OF EVERY SHIFT. GREASE USING KENTMASTER GREASE (PART NO. 7903070).
3. FLUSH AIR MOTOR AT END OF EACH DAY'S USE BY SQUIRTING A FEW SQUIRTS OF KENTMASTER AIR OIL MIST (PART NO. 7903050) DIRECTLY INTO THE AIR INLET PORT. RUN TOOL A FEW SECONDS TO COAT AND PROTECT THE AIR MOTOR AND INTERNAL PARTS OF TOOL.

BLADE REMOVAL AND CLEANING.

⚠ WARNING ALWAYS DISCONNECT POWER SUPPLY FROM TOOL BEFORE INSTALLING OR REMOVING BLADE FROM TOOL.

⚠ WARNING ALWAYS WEAR WIRE MESH GLOVES WHEN INSTALLING OR REMOVING BLADE FROM TOOL.

1. TO REMOVE BLADE, LOOSEN SCREW, FIGURE 1, ITEM 1 .
2. REMOVE BLADE , ITEM 4 .
3. CLEAN ALL PARTS REMOVED WITH SOAP AND WATER.
4. REPLACE BLADE WHEN NECESSARY AND LUBRICATE ALL PARTS.
5. REASSEMBLE ALL PARTS IN REVERSE ORDER.

AT END OF EACH SHIFT:

1. REMOVE BLADE.
2. IF USING BLADE AGAIN, WASH BLADE WITH HOT WATER TO REMOVE FAT, MEAT AND BONE PARTICLES.
3. DRY AND APPLY A COAT OF MINERAL OIL TO ENTIRE SURFACE OF BLADE TO AVOID OXIDATION.

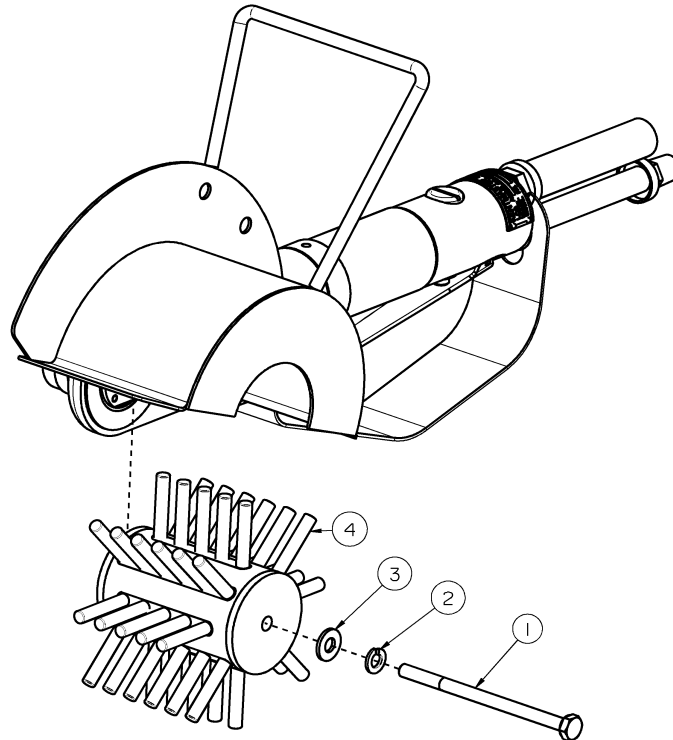
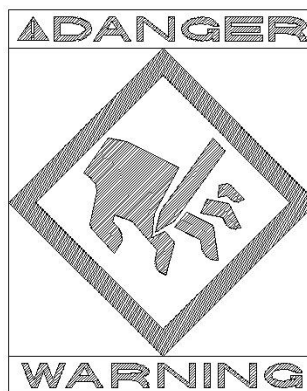


Figure 1 ARHC-1

SERVICE

1. KEEP GOOD RECORDS OF ALL SERVICE ACTIVITY AND INCLUDE TOOL IN PREVENTIVE MAINTENANCE PROGRAM.
2. USE ONLY GENUINE KENTMASTER REPLACEMENT PARTS TO ASSURE PROPER PERFORMANCE OF TOOL.
3. CONTACT THE KENTMASTER SUPPLIER NEAREST YOU FOR PARTS AND CUSTOMER SERVICE INFORMATION.



PARTS BOOK

MODEL ARHC-1, AIR ROTO HIDE CLEANER

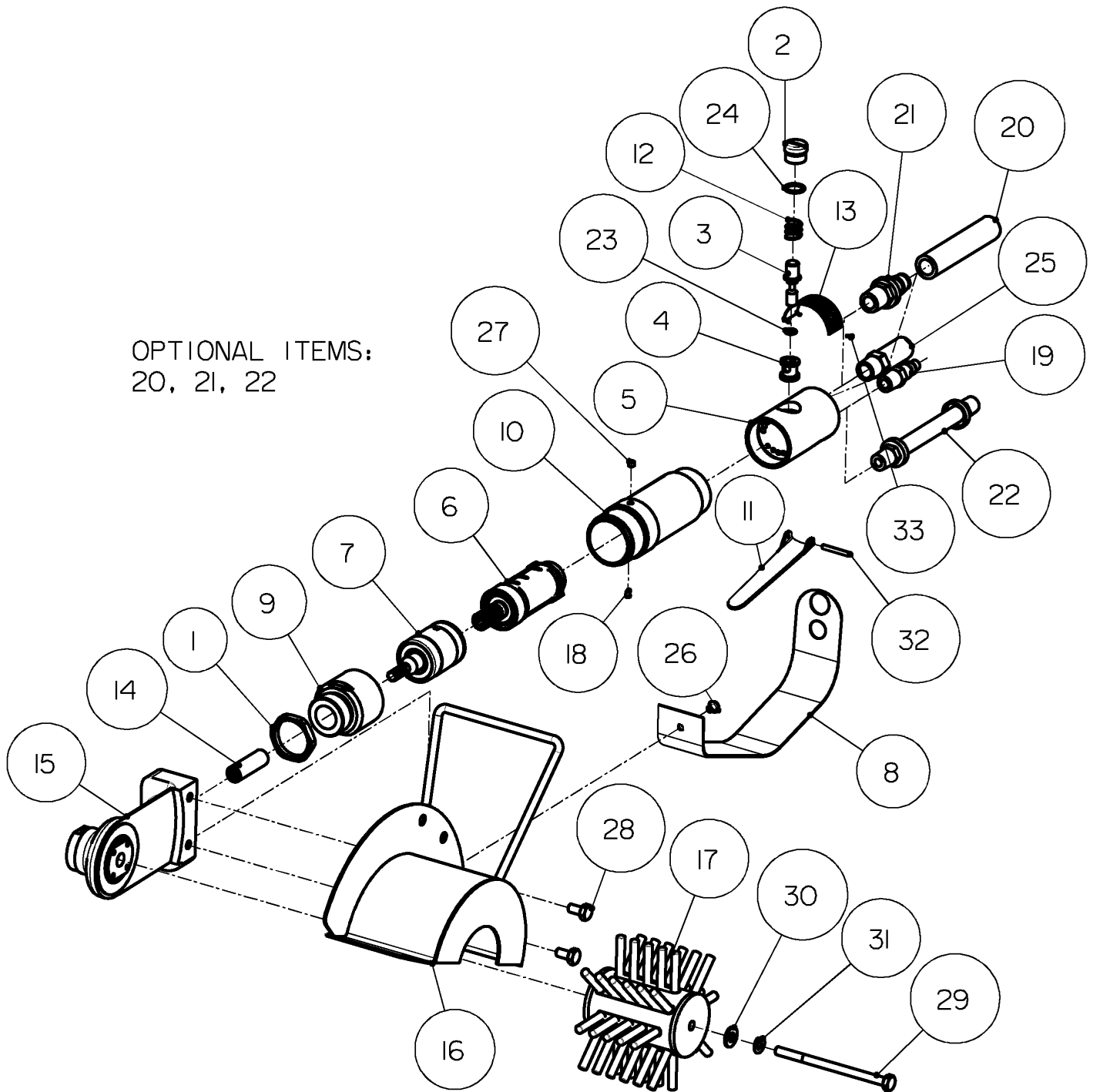
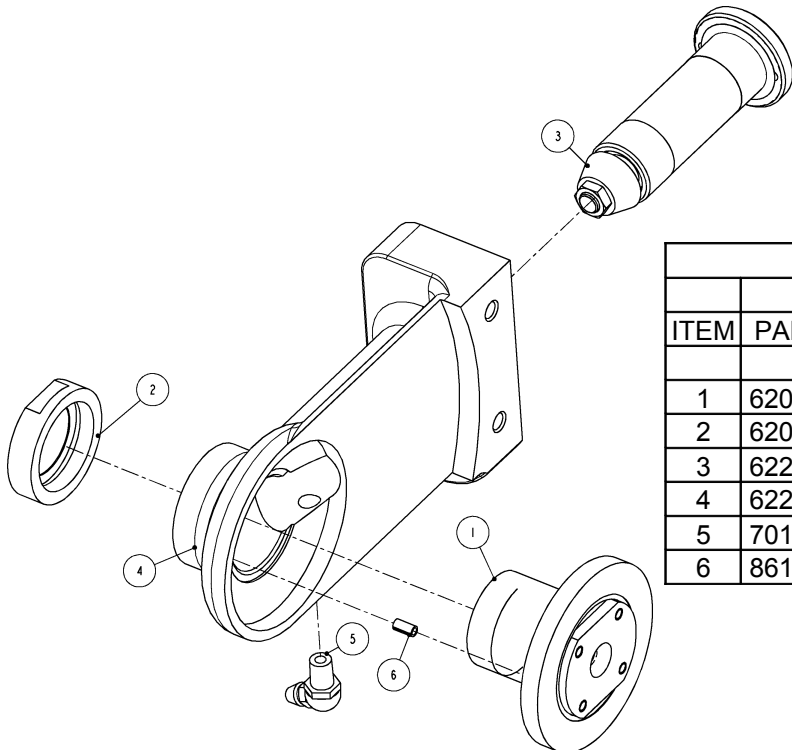


Figure 2 MODEL ARHC-1

6220050: ARHC-1 ROT HIDE CLEANER AIR			
ITEM	PART #	DESCRIPTION	QTY
1	6201500	LOCK NUT	1
2	6201530	PLUG	1
3	6201540	VALVE	1
4	6201550	BUSHING VALVE	1
5	6201560	BODY VALVE	1
6	6210800	AIR MOTOR ASSEMBLY	1
7	6210810	PLANETARY GEAR ASSEMBLY	1
8	6211120	GUARD	1
9	6211500	ADAPTER	1
10	6211510	SHELL MOTOR	1
11	6211670	LEVER	1
12	6211680	SPRING	1
13	6211690	NAME PLATE	1
14	6221010	COUPLING	1
15	6221090	GEAR HOISING ASSEMBLY	1
16	6221170	GUARD WHEEL	1
17	6221180	WHEEL MUD	1
18	7014050	FITTING LUBRICATION	1
19	7034070	MALE PLUG	1
20	7301850	HOSE - OPTIONAL	1
21	7301860	FITTING – OPTIONAL	1
22	7310600	HOSE ASSEMBLY – OPTIONAL	1
23	7680090	O-RING	1
24	7680140	O-RING	1
25	7802220	MUFFLER	1
26	8029020	SCREW	1
27	8335000	SET SCREW	1
28	8411040	SCREW	2
29	8411320	SCREW	1
30	8505100	WASHER	1
31	8506100	WASHER	1
32	8620080	PIN	1
33	8640030	DRIVE SCREW	4

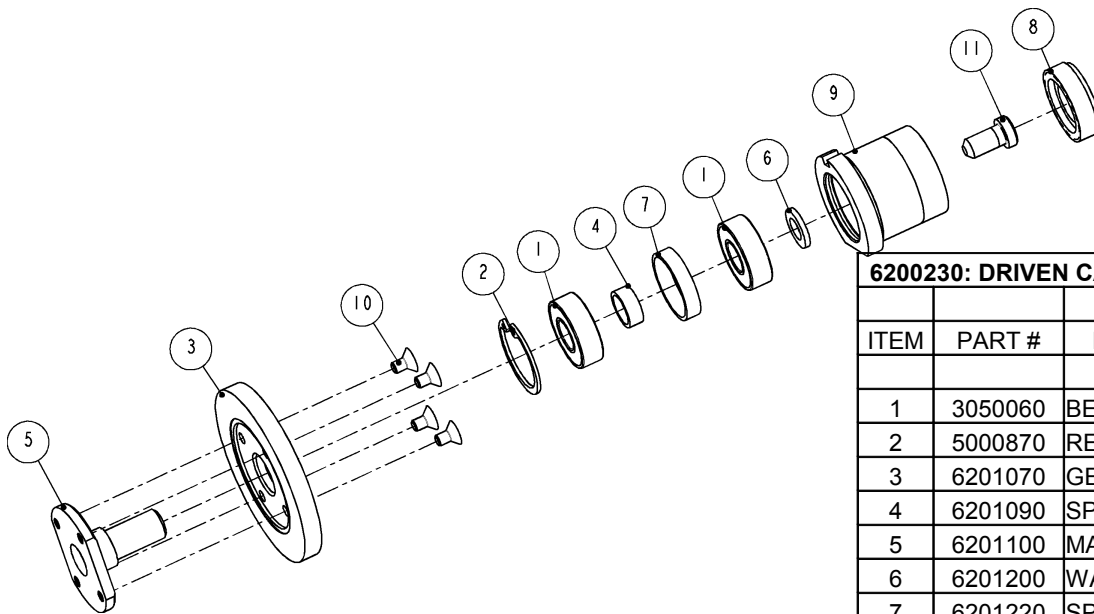
Figure 3 BOM ARHC-1

GEARS AND GEAR HOUSING ASSEMBLY



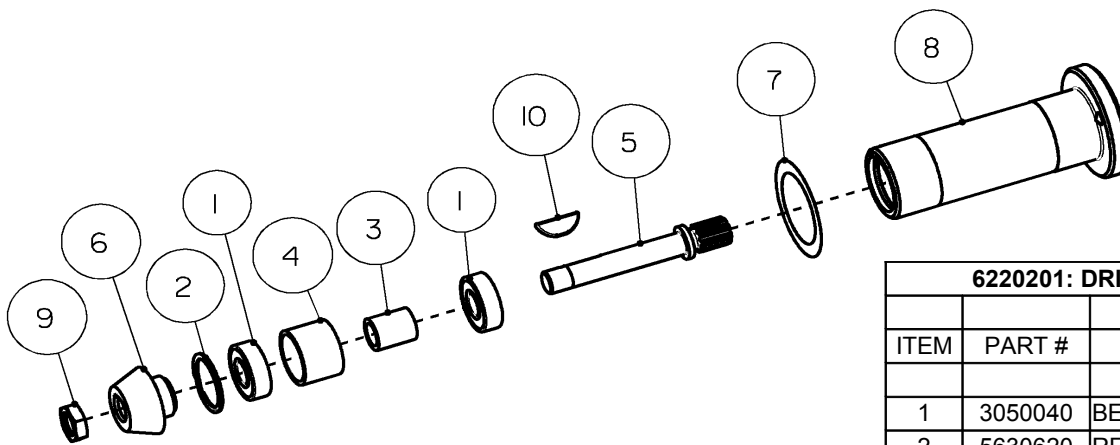
6221090: GEAR HOUSING ASSEMBLY			
ITEM	PART #	DESCRIPTION	QTY
1	6200230	DRIVEN CARTRIDGE ASSEMBLY	1
2	6201110	HOLDER, SLEEVE	1
3	6220201	DRIVE CARTRIDGE	1
4	6221000	HOUSING, GEAR	1
5	7014060	LUBE FITTING	1
6	8612050	ROLL PIN	1

Figure 4 6201250: GEAR HOUSING ASSEMBLY



6200230: DRIVEN CARTRIDGE ASSEMBLY			
ITEM	PART #	DESCRIPTION	QTY
1	3050060	BEARING	2
2	5000870	RETAINING RING	1
3	6201070	GEAR, BEVEL	1
4	6201090	SPACER	1
5	6201100	MANDREL, SAW	1
6	6201200	WASHER	1
7	6201220	SPACER	1
8	6201230	RETAINER NUT	1
9	6201240	SLEEVE	1
10	8236020	SCREW	4
11	8255460	SCREW	1

Figure 5 6200230: DRIVEN CARTRIDGE ASSEMBLY



6220201: DRIVE CARTRIDGE			
ITEM	PART #	DESCRIPTION	QTY
1	3050040	BEARING	2
2	5630620	RETAINING RING	1
3	6201030	SPACER	1
4	6201040	SPACER	1
5	6201050	DRIVE SHAFT	1
6	6201060	PINION GEAR	1
7	6201210	SHIM WASHER	1
8	6221021	SLEEVE	1
9	8503120	NUT	1
10	8600420	KEY	1

Figure 6 6220201: DRIVE CARTRIDGE ASSEMBLY

SPECIAL TOOLS (OPTIONAL)

4501470	GREASE GUN
4501460	WRENCH, DRIVE SHAFT SLEEVE
4501450	WRENCH, ADAPTER (1-1/2)
4501440	WRENCH, LOCKNUT (1-3/8)
4501430	WRENCH, SLEEVE HOLDER (1-1/4)
ITEM	DESCRIPTION
SPECIAL TOOLS (OPTIONAL)	

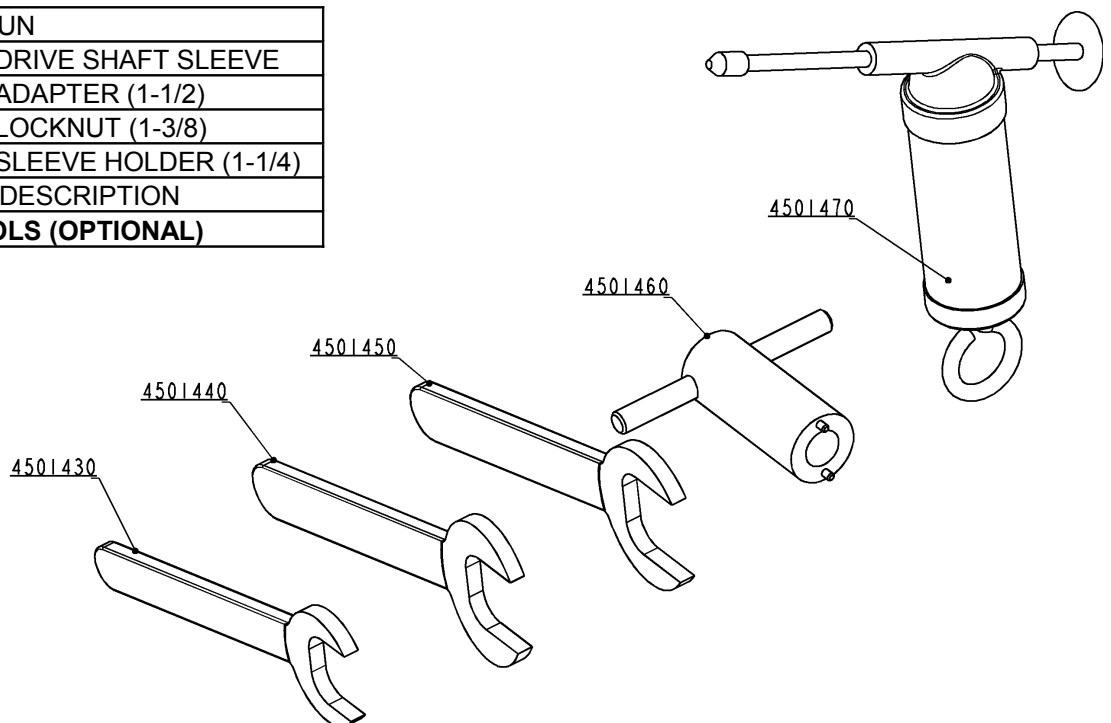
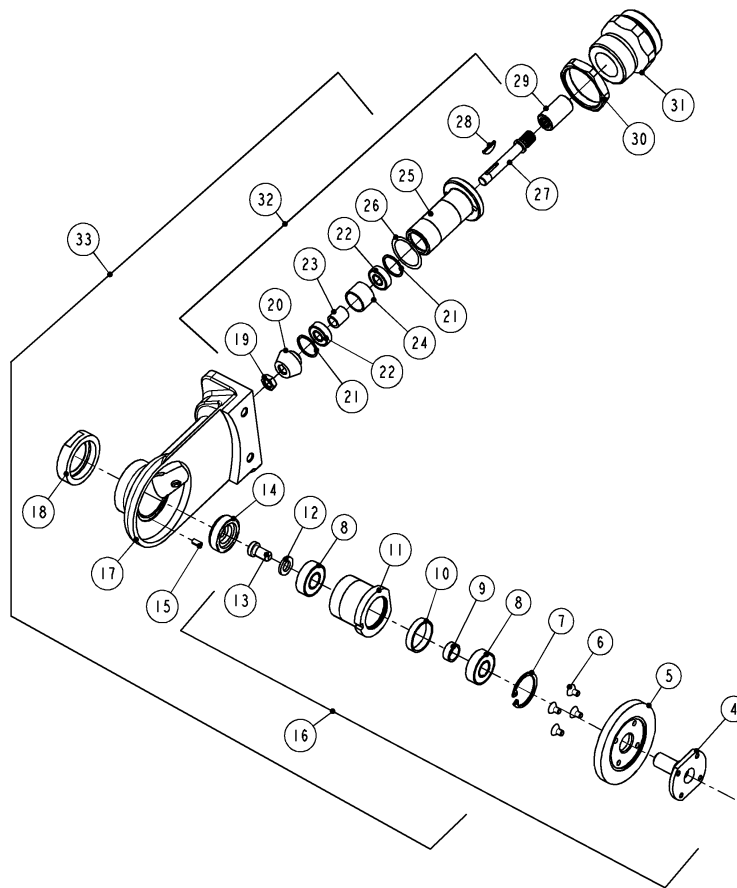


Figure 7 SPECIAL TOOLS (OPTIONAL)



GEAR HOUSING DISASSEMBLY

⚠ WARNING

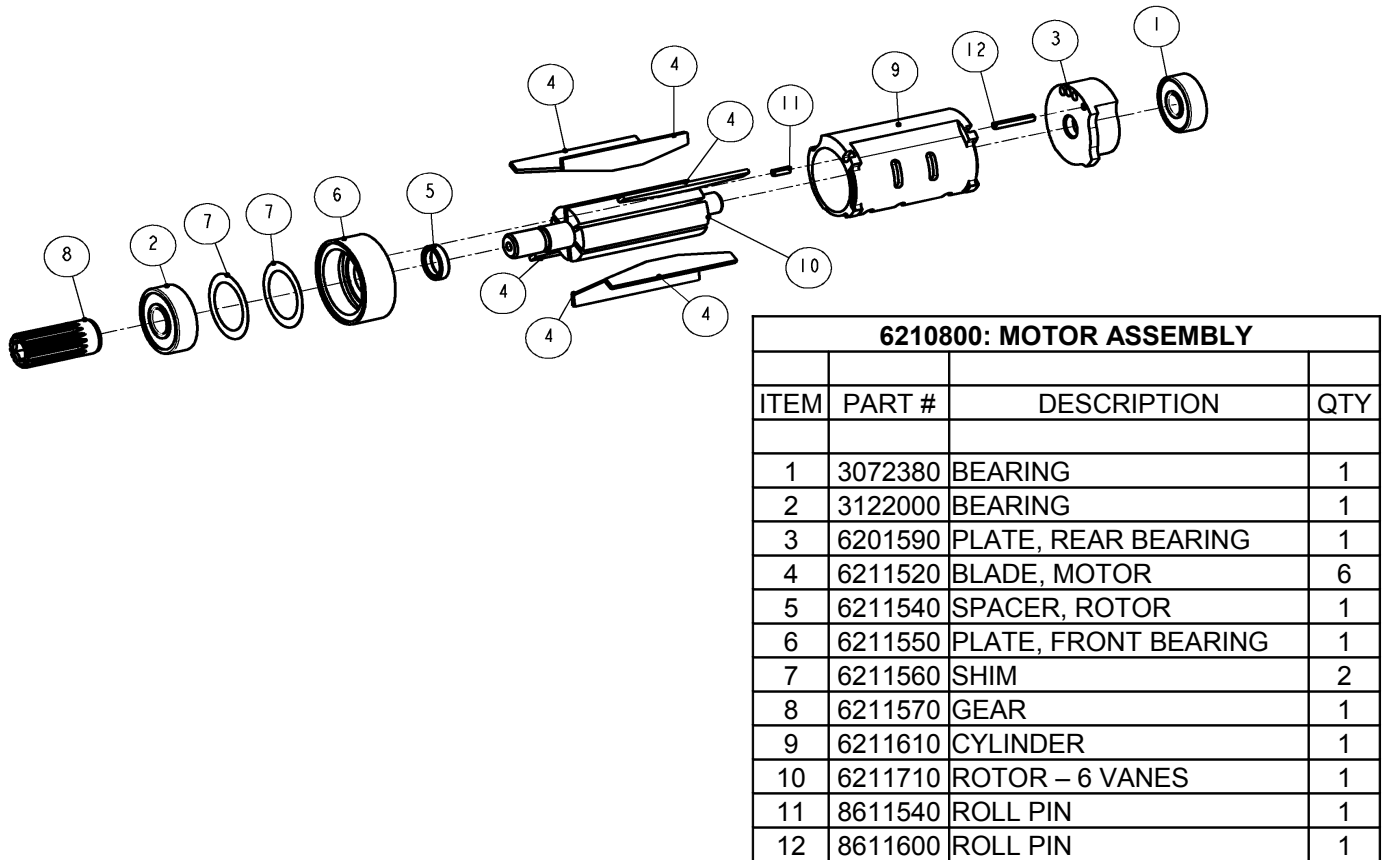
ALWAYS WEAR WIRE MESH GLOVES WHEN INSTALLING OR REMOVING BLADE FROM TOOL.

1. REMOVE BLADE
2. REMOVE HOLDER, ITEM 18. THE CARTRIDGE ASSEMBLY, ITEM 16, SHOULD JUST SLIDE OUT.
3. REMOVE NUT AND SCREW, ITEMS 13 AND 14.
4. PRESS MANDREL, ITEM 4, OUT THRU BEARINGS, ITEM 8.
5. REMOVE (4) SCREWS, ITEM 6, TO DISASSEMBLE GEAR AND MANDREL, ITEMS 4 AND 5.
6. REMOVE RETAINING RING, ITEM 7, PRIOR TO PRESSING OUT BEARINGS, ITEM 8.
7. LOOSEN LOCKNUT, ITEM 30, AND REMOVE ADAPTOR, ITEM 31.
8. USING WRENCH, ITEM 4501460, SCREW OUT CARTRIDGE ASSEMBLY, ITEM 32.
9. REMOVE NUT, ITEM 19. GEAR, ITEM 20, SHOULD JUST COME OFF.
10. PRESS OUT KEY AND SHAFT, ITEMS 27 & 28.
11. REMOVE (2) RETAINING RINGS, ITEM 21, PRIOR TO PRESSING OUT BEARINGS AND SPACERS, ITEMS 22-24.

GEAR HOUSING REASSEMBLY

1. REPLACE BLADE AS NECESSARY.
2. CLEAN AND LUBRICATE ALL PARTS.
3. REPLACE PARTS AS NEEDED.
4. REASSEMBLE PARTS IN REVERSE ORDER.

Figure 8 GEAR HOUSING ASSEMBLY PROCESS

AIR MOTOR ASSEMBLY**Figure 9 6210800: AIR MOTOR ASSEMBLY****MOTOR DISASSEMBLY**

1. TO DISASSEMBLE, PRESS ROTOR, ITEM 10, OUT THRU BEARING, ITEM 1. MOTOR ASSEMBLY SHOULD SLIDE APART.
2. TO SEPARATE ADAPTOR FROM ROTOR, ITEMS 8 AND 10, REMOVE BLADES, ITEM 4. INSERT A PIECE OF MATERIAL ABOUT .06" THICK (1.5mm) INTO BLADE SLOT. IT SHOULD EXTEND ABOUT 1/2" (12mm) ABOVE ROTOR SURFACE. PLACE IN VISE WITH **SOFT JAWS**. THIS WILL PREVENT ROTOR FROM TURNING WHEN REMOVING ADAPTOR WITH A WRENCH.
3. PRESS ROTOR, ITEM 10, OUT OF BEARING, ITEM 2.

MOTOR REASSEMBLY

1. CLEAN AND LUBRICATE ALL PARTS.
2. REPLACE PARTS AS NEEDED.
3. REASSEMBLE PARTS IN REVERSE ORDER.

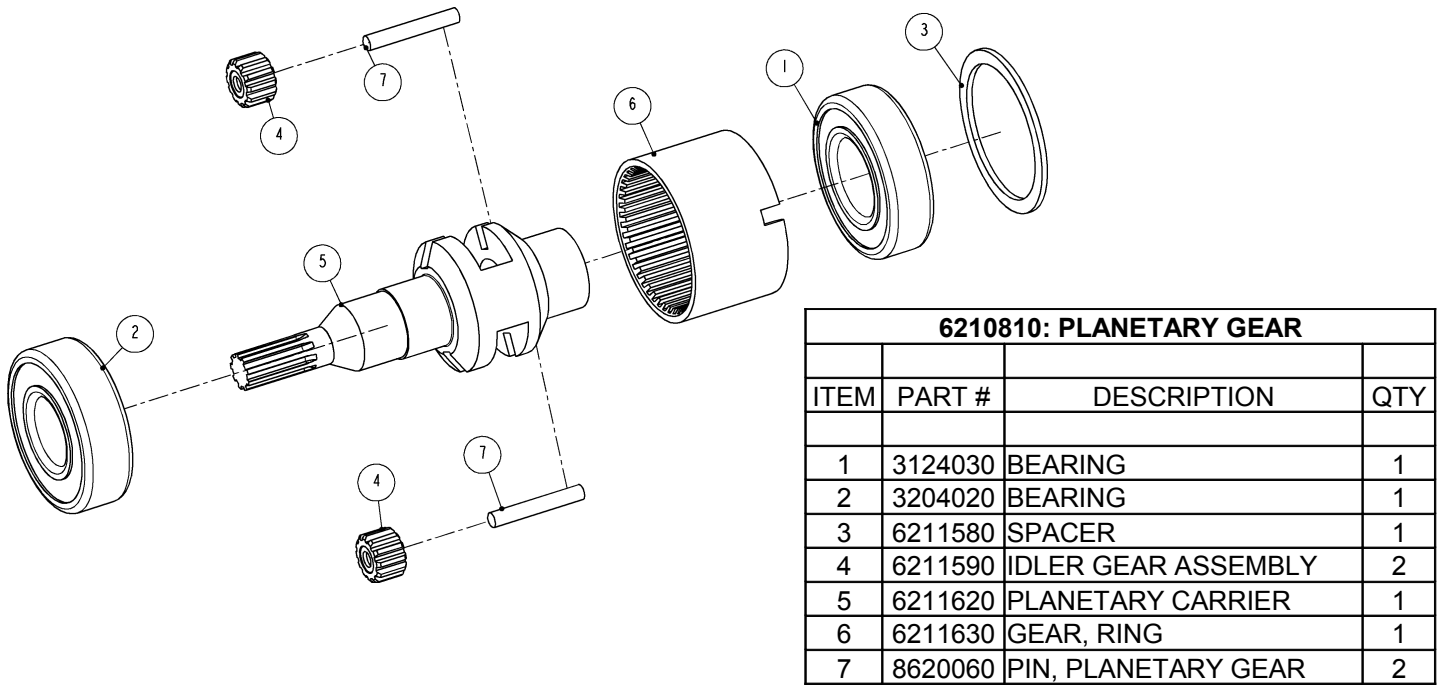
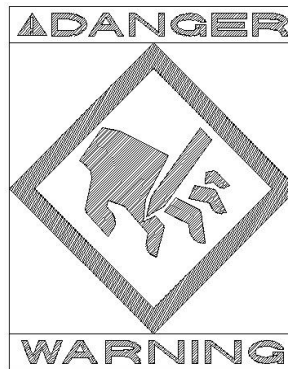


Figure 10 6210810: PLANETARY GEAR ASSEMBLY

NOTICE TO EMPLOYER AND PURCHASER OF TOOL
NOTICE TO SAFETY DIRECTOR

You have purchased a powerful tool that, if misused, can cause severe injury and harm to your employees. You must instruct your employees in the safe and proper use of this tool and to follow the safety procedures and instructions that have been supplied by the manufacturer of this tool. Please follow the following instructions.



1. Instruct tool operators to test the tool each day before using it to be sure it does not malfunction. Remove and repair any tool that malfunctions.
2. Instruct tool operators to immediately stop using a tool that malfunctions or is defective.
3. Instruct personnel to immediately remove all tools that malfunction. Be sure to disconnect tool from power supply.
4. Instruct all personnel to stay clear of tool, and not to stand or walk in front of, or next to tool when in use.
5. Point out to all personnel the dangers related to the misuse of tool and the importance of following safety procedures and instructions.
6. Do not make, or allow others to make, alterations or modifications to this tool. Replace all lost or illegible labels.
7. Follow all safety, installation and maintenance instructions provided with this tool. Establish proper safety procedures in accordance with local and national requirements to prevent accidental energizing of tool that can cause injuries.
8. If this tool is sold or change in ownership takes place, you must provide the new owner all safety instructions, notices and maintenance instructions you were originally provided. You can obtain additional copies of the instructions from Kentmaster, free of charge upon request.
9. Give copies of instructions to:
(A) Tool Operators
(B) Maintenance Supervisor
(C) Clean-up Supervisor

INDEX

OPERATING AND SAFETY INSTRUCTIONS.....2

OPERATING INSTRUCTIONS.....3

MAINTENANCE.....3

SERVICE.....4

PARTS BOOK.....4

MODEL ARHC-1, AIR ROTO HIDE CLEANER.....5

GEARS AND GEAR HOUSING ASSEMBLY.....7

SPECIAL TOOLS (OPTIONAL).....8

GEAR HOUSING DISASSEMBLY.....9

GEAR HOUSING REASSEMBLY.....9

AIR MOTOR ASSEMBLY.....10

MOTOR DISASSEMBLY.....10

MOTOR REASSEMBLY.....10

NOTICE TO EMPLOYER AND PURCHASER OF TOOL.....12

INDEX.....13