

OPERATOR'S MANUAL

INCLUDING: OPERATION, INSTRUCTION, INSTALLATION, MAINTENANCE AND PARTSBOOK

IMPORTANT: READ THIS MANUAL CAREFULLY BEFORE INSTALLING, OPERATING OR SERVICING THIS TOOL.

HYDRO POWER PUMP "HPP-1-A"

TOOL DATA

MODEL: HPP-1-A

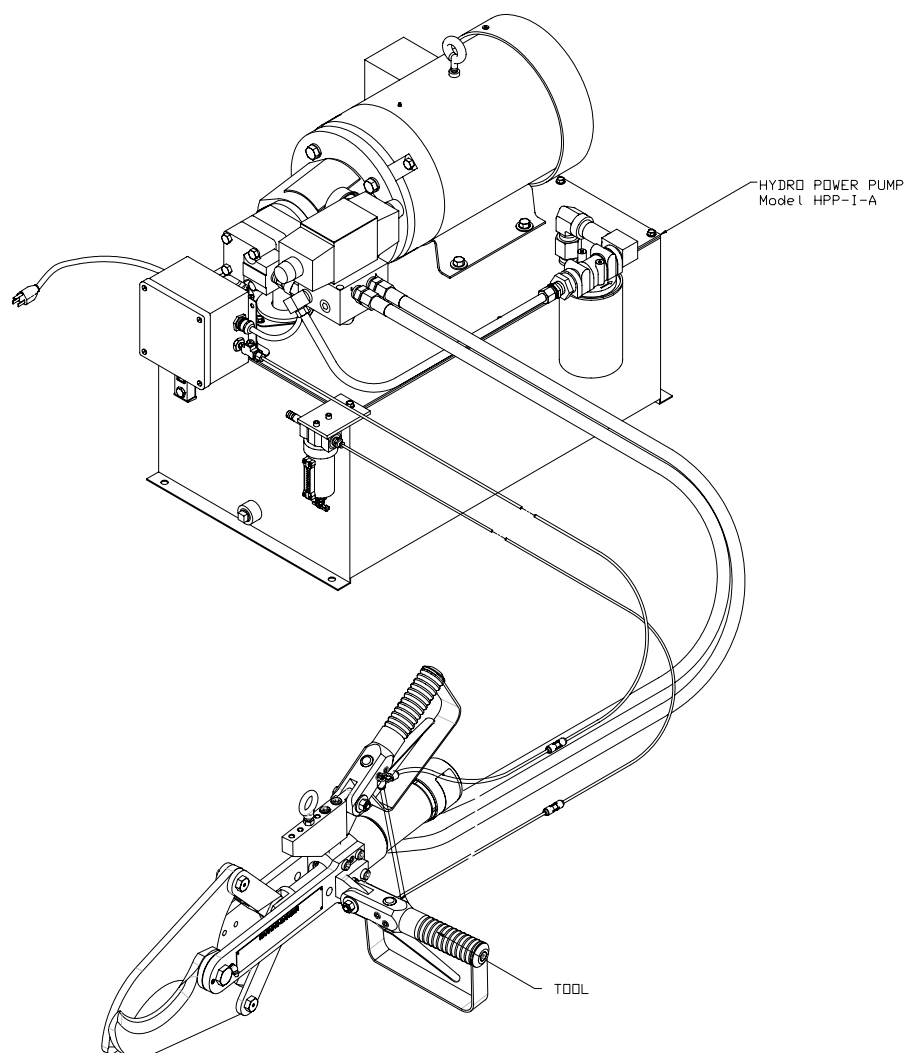
ASSEMBLY No: 651500




TYPE: HYDRAULIC PUMP, AIR/ELECTRIC OPERATED

NET WEIGHT: 250 LBS (114KG) WITHOUT OIL

HYDRAULIC PRESSURE: 2000 P.S.I. MAXIMUM

INLET AIR PRESSURE: 90 P.S.I. (6-7) BARS OPTIMAL, (67PSI MIN)



 WARNING	= Hazards or unsafe practices which could result in severe personal injury, death or substantial property damage.
 CAUTION	= Hazards or unsafe practices which could result in minor personal injury, product or property damage.
 NOTICE	= Important installation, operation or maintenance information.

GENERAL SAFETY INSTRUCTIONS



DO NOT OPERATE THIS TOOL UNTIL YOU HAVE READ AND UNDERSTOOD THE SAFETY INSTRUCTIONS AND OPERATING MANUALS.



DO NOT OPERATE THIS TOOL UNTIL YOU HAVE RECEIVED TRAINING IN THE HANDLING, OPERATION AND USE OF THIS TOOL.



STOP USING A MALFUNCTIONING OR DEFECTIVE TOOL IMMEDIATELY. REPORT ANY PROBLEMS OR DEFECTS TO YOUR SUPERVISOR FOR REMOVAL OF THE TOOL FROM SERVICE.



DO NOT ATTEMPT TO REPAIR THE TOOL YOURSELF.



DO NOT ALLOW UNAUTHORIZED PERSONS TO USE TOOL.



REMOVE AND DISCONNECT POWER FROM THE TOOL WHEN TOOL IS LEFT UNATTENDED OR IS NOT IN USE.



NEVER TIE DOWN, BYPASS, ALTER OR MODIFY THE ACTIVATING SWITCHES OR TRIGGERS OF THIS TOOL.



NEVER MAKE ALTERATIONS OR MODIFICATIONS TO THIS TOOL.



BE CONSTANTLY AWARE AND ALERT FOR UNSAFE CONDITIONS AND REPORT THEM IMMEDIATELY TO YOUR SUPERVISOR.



NEVER PLACE YOUR HAND OR ANY PART OF YOUR BODY IN THE CUTTING PATH OF THE TOOL.



NEVER ALLOW ANYONE ELSE TO PLACE THEIR HANDS OR ANY PART OF THEIR BODY IN THE CUTTING PATH OF THE TOOL.



DO NOT ACTIVATE CONTROL SWITCHES OR TRIGGERS OF THIS TOOL UNLESS YOU INTEND TO TEST OR OPERATE THIS TOOL.



DO NOT USE THIS TOOL FOR ANY PURPOSE OTHER THAN IT'S INTENDED PURPOSE.



WHEN OPERATING THIS TOOL WEAR THE PROTECTIVE GEAR AND SAFETY EQUIPMENT SUPPLIED TO YOU.



THE NOISE EMISSION (SOUND PRESSURE LEVEL) AT THE WORKSTATION MAY EXCEED 80 dB (A). EAR AND SOUND PROTECTION GEAR IS REQUIRED.

OPERATING INSTRUCTIONS

⚠ WARNING ONLY TRAINED PERSONNEL ARE TO OPERATE THIS TOOL.

1. TO ENSURE TOOL IS OPERATING PROPERLY, PERFORM FOLLOWING STEPS AT START OF EACH SHIFT:
 - MAKE SURE TOOL MOVES UP AND DOWN FREELY WHILE HANGING FROM BALANCER OVERHEAD.
 - WITH POWER TO TOOL TURNED ON, TEST TRIGGER FOR PROPER OPERATION.
 - DEPRESS EACH TRIGGER SEPARATELY. TOOL SHOULD NOT ACTIVATE. DEPRESS BOTH TRIGGERS. TOOL SHOULD ACTIVATE.
 - IF TOOL HAS "ANTI-TIE DOWN" OPTION, BOTH TRIGGERS MUST BE DEPRESSED SIMULTANEOUSLY FOR TOOL TO ACTIVATE.
2. TO PERFORM WORK, HOLD TOOL FIRMLY AT BOTH HANDLES. SQUEEZE TRIGGERS TO ACTIVATE TOOL.
3. POSITION TOOL AND PERFORM CUTTING OPERATION.

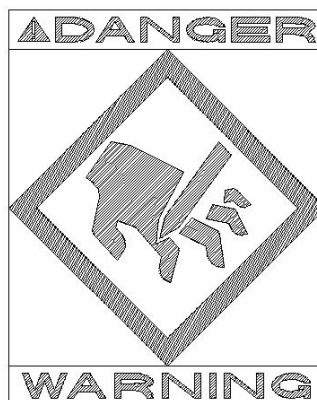
MAINTENANCE

⚠ WARNING ONLY TRAINED AND QUALIFIED PERSONNEL ARE TO PERFORM MAINTENANCE AND SERVICE TO THIS TOOL.

1. MAKE ALL NECESSARY LINE CONNECTIONS TO THE TOOL.
2. AN AIR FILTER-REGULATOR-LUBRICATOR (PART NO. 7200030) MUST BE INSTALLED IN AIR SUPPLY FOR EACH TOOL.
3. FILL LUBRICATOR WITH KENTMASTER AIR MIST OIL (PART NO. 7903050). SET DRIP RATE ACCORDING TO INSTRUCTIONS SUPPLIED. TURN ADJUSTMENT ON SIGHT FEED DOME TO INCREASE/DECREASE OIL DELIVERY. MONITOR THE DEVICE BEING LUBRICATED AND READJUST IF NEEDED.
4. TOOL REQUIRES 90 P.S.I. AIR PRESSURE.

SERVICE

1. KEEP GOOD RECORDS OF ALL SERVICE ACTIVITY AND INCLUDE TOOL IN PREVENTIVE MAINTENANCE PROGRAM.
2. USE ONLY GENUINE KENTMASTER REPLACEMENT PARTS TO ASSURE PROPER PERFORMANCE OF TOOL.
3. CONTACT THE KENTMASTER SUPPLIER NEAREST YOU FOR PARTS AND CUSTOMER SERVICE INFORMATION.



PARTS BOOK

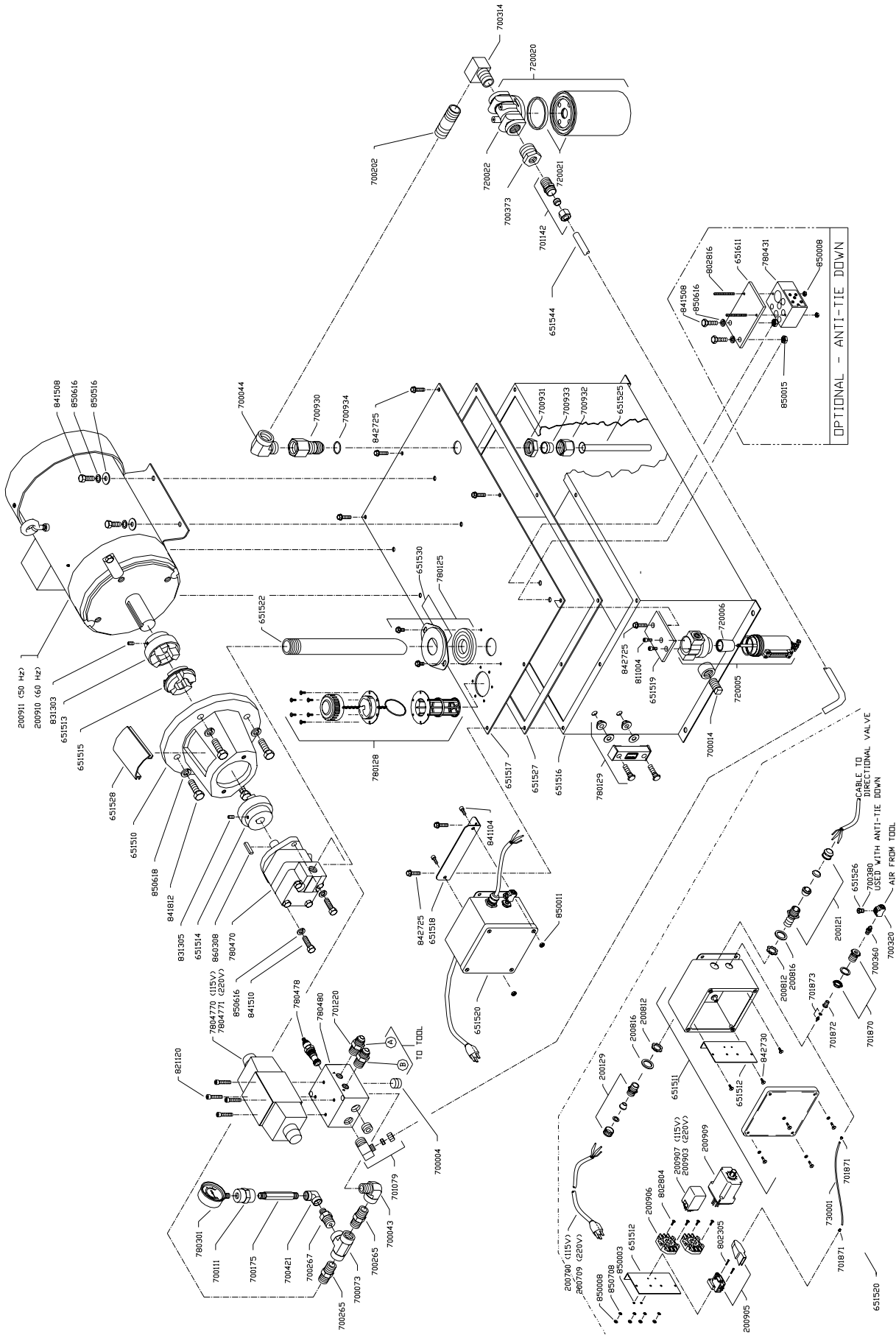


Figure 1 Model "HPP-1-A" – MAIN ASSEMBLY

KENTMASTER MFG. CO., INC. 1801 SOUTH MOUNTAIN AVE., MONROVIA, CALIFORNIA 91016 UNITED STATES OF AMERICA

☎ TELEPHONE: (626) 359-8888 FAX: (626) 303-5151

KENTMASTER MODEL HPP-I-A : 651500

PART NO.	DESCRIPTION	QTY	PART NO.	DESCRIPTION	QTY
200121	CONNECTOR, CABLE	1	700931	NUT, BULKHEAD	1
200129	CONNECTOR, CABLE	1	700932	NUT	1
200700	CORD, POWER	1	700933	SLEEVE	1
200812	LOCKNUT	2	700934	O-RING	1
200816	RING, SEAL	1	701079	ELBOW, MALE (RETURN)	1
200905	SWITCH, SUB. PRES/ELECT.	1	701142	CONNECTOR, MALE	1
200906	RELAY, SOCKET	2	701220	CONNECTOR, MALE	2
200907	RELAY	1	701870	FITTING, BULKHEAD	1
200909	DELAY, SOLID STATE TIME	1	701871	CLAMP, PRESS-ON HOSE	2
200910	MOTOR, ELECTRIC (7.5 HP - 60 Hz)	1	701872	ADAPTOR, PIPE TO FEMALE ADAPTOR	1
200911	MOTOR, ELECTRIC (7.5 HP - 50 Hz)	1	701873	FITTING, HOSE	1
651510	BRACKET, MOTOR-PUMP	1	720005	FILTER, AIR	1
651511	BOX, WIRE	1	720006	ELEMENT, AIR FILTER	1
651512	PANEL	1	720020	FILTER, RETURN	1
651513	COUPLING, MOTOR SIDE	1	720021	ELEMENT, FILTER	1
651514	COUPLING, PUMP SIDE	1	720022	HEAD, FILTER	1
651515	INSERT, COUPLING	1	730001	HOSE	1
651516	RESERVOIR	1	780125	FLANGE, TANK	1
651518	BRACKET, CONTROL BOX	1	780128	BREATHER, FILLER	1
651519	PLATE, AIR FILTER	1	780129	GAUGE, LIQUID LEVEL	1
651520	BOX ASSEMBLY, CONTROL	1	780301	GAUGE, PRESSURE (0-3000)	1
651525	TUBING	1	780431*	MODULE, AIR LOGIC	1
651526	PLUG, MODIFIED	1	780470	PUMP	1
651527	GASKET	1	780477	VALVE, COMPLETE DIRECTIONAL	1
651528	COVER, BRACKET	1	780478	RELIEF CARTRIDGE	1
651530	PLATE, NAME	1	780490	PLATE, SUB	1
651517	COVER, RESERVOIR	1	802305	SCREW, SWITCH	2
651522	NIPPLE, MODIFIED	1	802804	SCREW, SOCKET	4
651544	TUBING, RETURN	1	802816*	SCREW, MODULE	2
651611*	BRACKET, MODULE	1	811004	SCREW, AIR FILTER	2
700004	PLUG, PIPE	2	821120	SCREW, DIRECTIONAL VALVE	4
700014	PLUG, PIPE	1	831303	SCREW, COUPLING SET	1
700421	ELBOW, 90° STREET	1	831305	SCREW, COUPLING SET	1
700043	ELBOW, 90° STREET	1	841104	SCREW, WIRE BOX	2
700044	ELBOW, 90° STREET	1	841508*	SCREW, MOTOR	6
700073	TEE, MALE RUN	1	841510	SCREW, PUMP	2
700111	COUPLING, PIPE	1	841812	SCREW, MOTOR BRACKET	4
700175	NIPPLE, HEX LONG	1	842725	SCREW, HEX	4
700202	NIPPLE, LONG	1	842730	SCREW, PANEL	3
700265	NIPPLE, HEX	1	850003	NUT, PANEL HEX	2
700267	NIPPLE, HEX	1	850008*	NUT, MODULE PANEL HEX	6
700314	ELBOW, STREET	1	850011	NUT, PANEL HEX	2
700320	TEE	1	850015*	NUT, PLATE HEX	2
700360	NIPPLE, HEX	1	850516*	WASHER, MOTOR PUMP	4
700373	BUSHING	1	850616	WASHER, MOTOR PUMP	8
700380	PLUG	1	850618	WASHER	4
700930	CONNECTOR, FEMALE BULKHEAD	1	850708	WASHER, PANEL	4
			860308	KEY, PUMP	1

*FOR USE WITH ANTI-TIE DOWN

Figure 2 BOM FOR MODEL "HPP-1-A"

KENTMASTER MFG. CO., INC. 1801 SOUTH MOUNTAIN AVE., MONROVIA, CALIFORNIA 91016 UNITED STATES OF AMERICA
 ☎ TELEPHONE: (626) 359-8888 FAX: (626) 303-5151

HPP-1-A, TECHNICAL SPECIFICATIONS

Electric Motor	7.5 HP
Hydraulic Pump	7.5 GPM
Tank Capacity	15 Gallons
Max Pressure	2000 PSI

Electrical

Standard Motor options for Kentmaster Power Unit HPP-1-A:

- 220/380v -3 phase - 50 Hz – 7.5 HP – 1725RPM
- 208/230/416/460v – 3 phase – 60Hz – 7.5 HP – 1725RPM

See Wiring Diagrams (Figure 3).

Control Panel:

- 110V/220V – Single Phase

See Wiring Diagrams (Figure 3).

Hydraulic

Hydraulic Tank Capacity: 15 Gallons

Maximum line pressure: 2000 PSI

Kentmaster recommends hydraulic oil Mobile DTE-24

MOBILE DTE-24	
ISO GRADE	32
VISCOSITY, ASTM D 445	
cSt @ 40 C	31.5
cSt @ 100 C	5.29
VISCOSITY INDEX, ASTM D 2270	98
SPECIFIC GRAVITY @ 15.6C / 15.6C, ASTM D1298	0.871
COPPER STRIP CORROSION ASTM D 130, 3 HRS @ 100C	1B
RUST CHARACTERISTICS PROC B, ASTM D 665	PASS
POUR POINT, C, ASTM D 97	-27
FLASH POINT, C, ASTM D 92	220
FZG 4-SQUARE LOAD SUPPORT, DIN 51354, FAIL STAGE	12
FOAM SEQUENCE I, II, III, ASTM D 892, ML	20/0

Air supply

Min air pressure required for ELECTRIC/AIR PRESSURE SWITCH (# 200905) is 67 PSI.

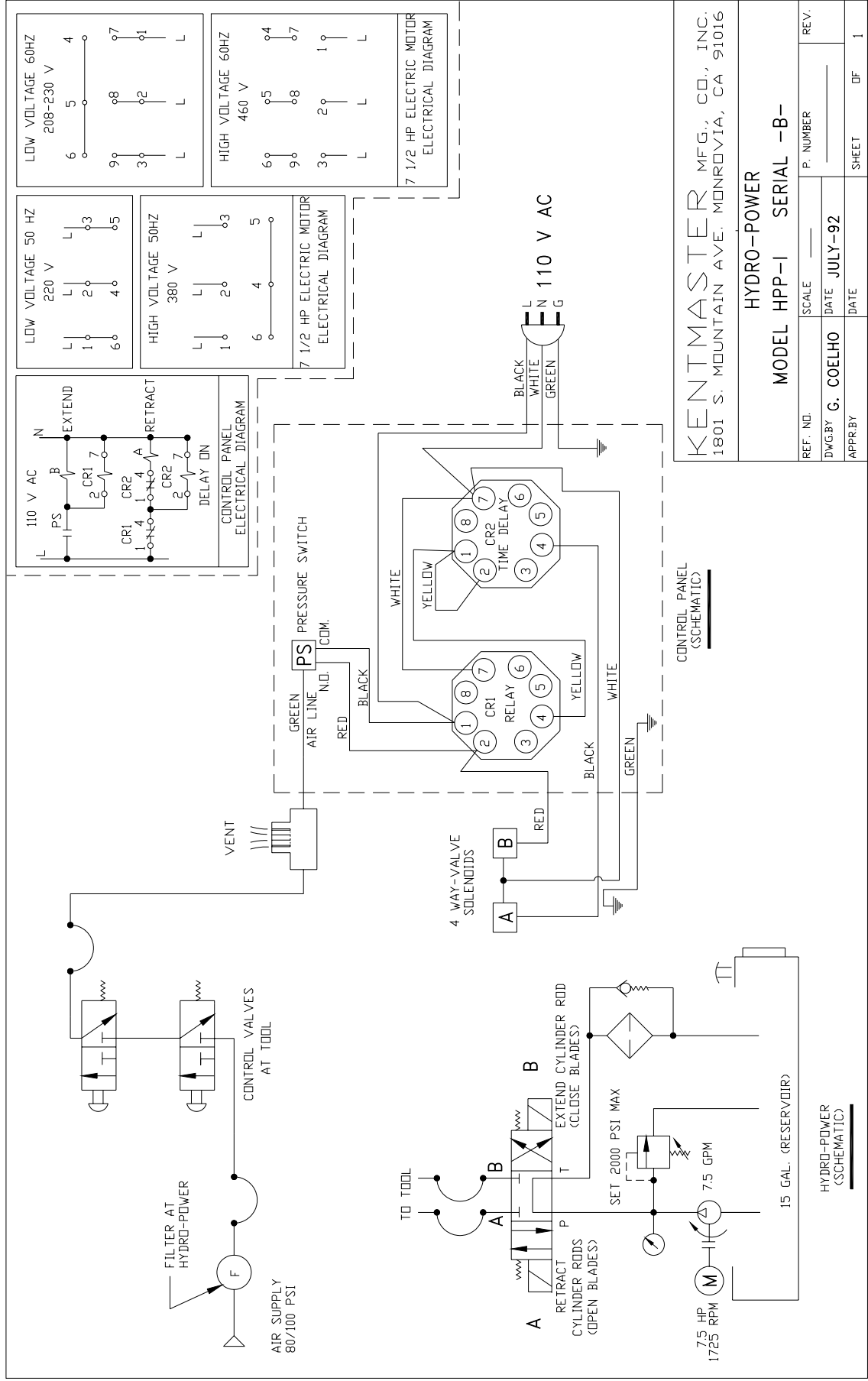


Figure 3 HPP-1-A, WIRING DIAGRAM

KENTMASTER MFG. CO., INC. 1801 SOUTH MOUNTAIN AVE., MONROVIA, CALIFORNIA 91016 UNITED STATES OF AMERICA
 ☎ TELEPHONE: (626) 359-8888 FAX: (626) 303-5151

HPP-1-A : INSTALLATION, OPERATING AND MAINTENANCE

INSTALLATION AND OPERATING INSTRUCTIONS

1. INSTALL THE PUMP ON EVEN SURFACE.
2. HPP-1-A IS SUPPLIED WITHOUT OIL. ONCE RECEIVED, FILL UP THE TANK WITH MOBIL DTE-24 OIL (15 GALLONS). USE LIQUID GAGE (780129) ON SIDE OF THE TANK TO CHECK OIL LEVEL.
3. BEFORE YOU PLUG IN THE PUMP CONFIRM YOUR CONTROL VOLTAGE (115V OR 220V, SINGLE PHASE) AND 3-PHASE POWER SUPPLY.
4. ATTACH HOSES AND TOOL TO THE PUMP. KENTMASTER RECOMMENDS UP TO 20 FT LONG HOSES BETWEEN TOLL AND PUMP. (CONNECTION DIAGRAM FIGURE 4 AND 5)
5. CHECK IF PUMP IS PROVIDED WITH ANTI-TIE DOWN OR STANDARD CONTROL.
6. CONNECT AIR SUPPLY AND AIR LINES COMING FROM TOOL ACCORDING TO YOUR CONTROL OPTIONS. (CONNECTION DIAGRAM FIGURE 4 AND 5)
7. TURN ON THE MOTOR. CHECK THE FAN ON THE BACK OF THE MOTOR. FAN SHOULD ROTATE CLOCK WISE.
8. ACTIVATE THE TOOL.
9. USE RELIEF CARTRIDGE 780478 ON VALVE SUBPLATE TO ADJUST PRESSURE. STANDARD PRESSURE IS 1500 PSI. USE PRESSURE GAGE 780301 TO READ OPERATING PRESSURE.

MAINTENANCE INSTRUCTIONS

DAILY:

1. KEEP THE PUMP CLEAN ALL THE TIME
2. CHECK THE LINES FOR LEAKAGE
3. CHECK OIL LEVEL IN THE TANK.
4. CHECK OIL FILTER.

REPLACE THE FILTER ACCORDING TO INSTRUCTIONS PROVIDED ON FILTER.
OIL SHOULD BE REPLACED EVERY 4 MONTHS OR SOONER IF LOOKS WATERY.

TROUBLESHOOTING

1. PUMP IS RUNNING HOT

- CHECK OIL LEVEL IN TANK. ADD OIL IF NECESSARY
- CHECK OIL PRESSURE. ADJUST RELIEF CARTRIDGE
- CHECK HYDRAULIC LINES. CLEAN THE LINES
- CHECK RETURN LINES. REPLACE FILTER

2. PUMP IS RUNNING BUT TOOL IS NOT RUNNING

- CHECK LINE CONNECTION BETWEEN TOOL AND PUMP
- MAKE SURE AIR CONTROL LINES ARE CONNECTED ACCORDING TO THE DIAGRAM (FIG. 4 AND 5)
- AIR PRESSURE IS 65 PSI AND LESS. ELECTRIC / AIR PRESSURE SWITCH (200905) IS NOT ACTIVATING. INCREASE AIR LINE PRESSURE TO 67 PSI AND ABOVE.
- CHECK CONTROL VALVE. REPLACE CONTROL VALVE
- MOTOR IS RUNNING CCW. SWITCH WIRES 2 AND 3 IN MOTOR WIRE BOX. MOTOR SHOULD RUN CLOCKWISE.
- CHECK OIL LEVEL IN TANK. ADD OIL IF NECESSARY
- CHECK THE TOOL. PROCEED ACCORDING TO TOOL MANUAL.

3. PUMP IS NOT RUNNING

- CHECK WIRING.
- CHECK POWER SUPPLY VOLTAGE
- CHECK MOTOR. IF BURNED OUT, REPLACE
- CHECK THE PUMP. CLEAN, REPLACE SEAL KIT.
- CHECK COUPLING BETWEEN MOTOR AND PUMP

TOOL CONTROL OPTIONS

HPP-1-A IS SUPPLIED WITH STANDARD (TOOL HANDLES IN SERIES) OR ANTI-TIE DOWN CONTROL OPTION. ANTI-TIE DOWN IS OPTIONAL. PLEASE SPECIFY THIS OPTION WHEN ORDERING HPP-1-A.

WIRING AND CONNECTION FOR STANDARD AND ANTI-TIE DOWN OPTION ARE SHOWN IN FIGURES 4 AND 5.

HPP-1-A TUBING DIAGRAM WITHOUT ANTI-TIE DOWN OPTION

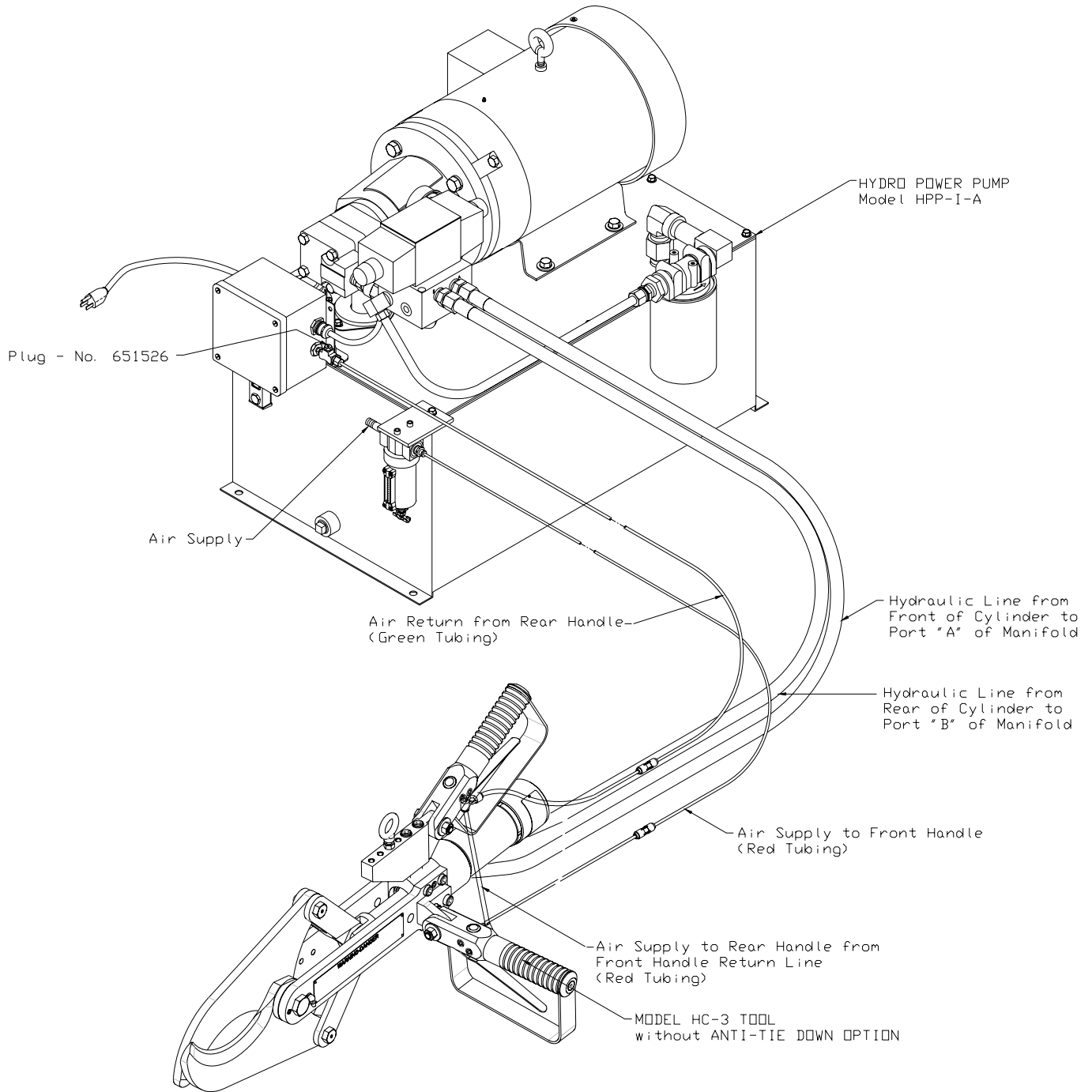


Figure 4 HPP-1-A TUBING DIAGRAM WITHOUT ANTI-TIE DOWN

HPP-1-A TUBING DIAGRAM WITH ANTI-TIE DOWN OPTION

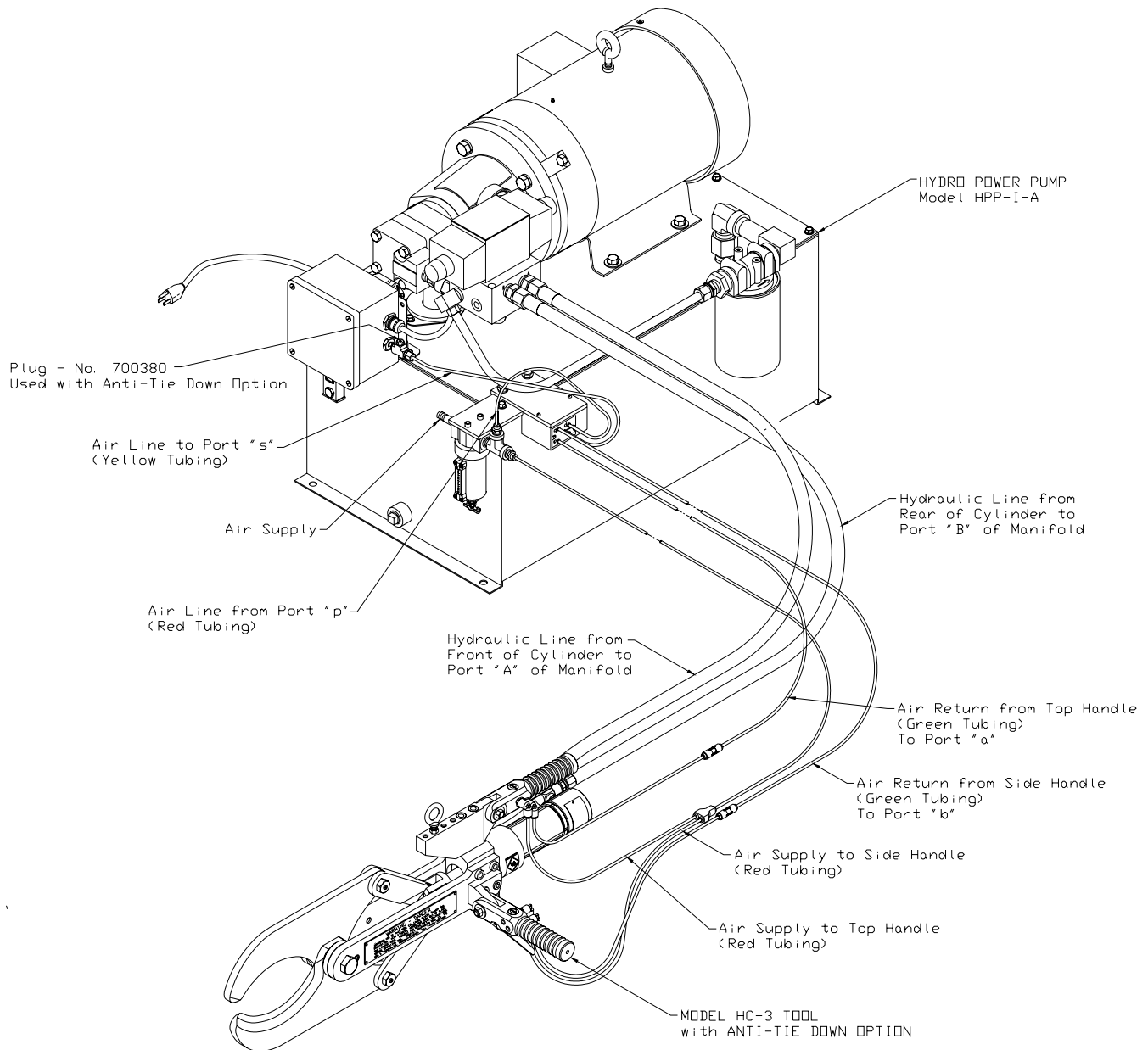
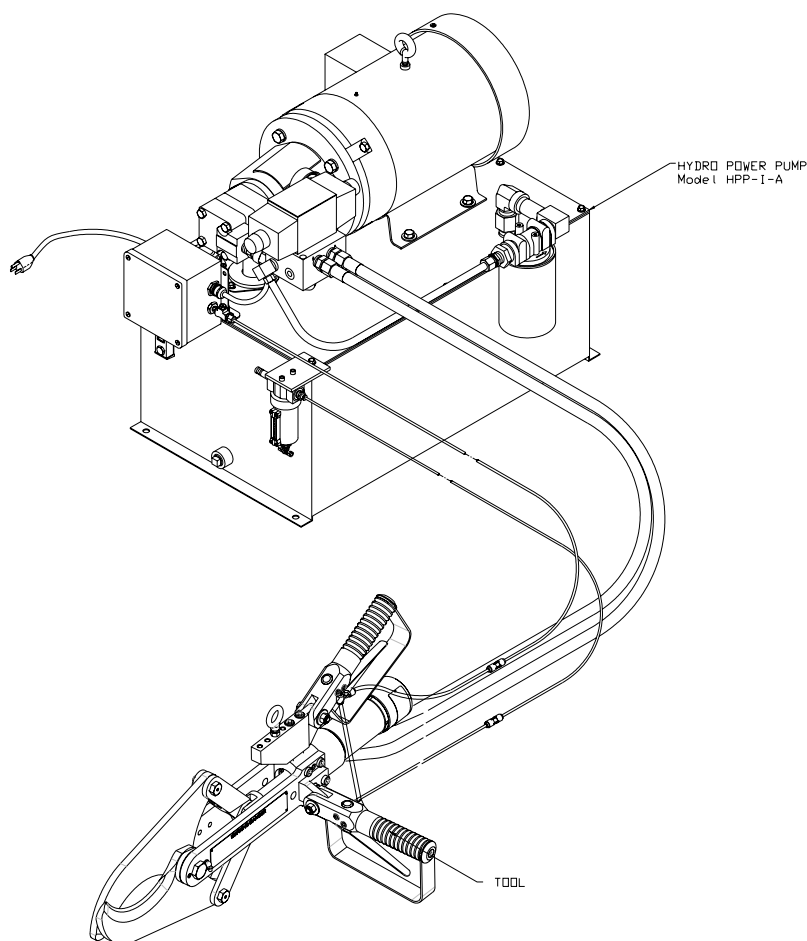


Figure 5 HPP-1-A TUBING DIAGRAM WITH ANTI-TIE DOWN

[ENGLISH]

GENERAL INFORMATION

MODEL
“HPP-1-A” HYDRO POWER UNIT

SERVICE CENTERS

KENTMASTER LTD. (U.K)
 16 AVONBANK INDUSTRIAL CENTRE
 WEST TOWN ROAD
 AVONMOUTH - BRISTOL BS11 9DE
 UNITED KINGDOM

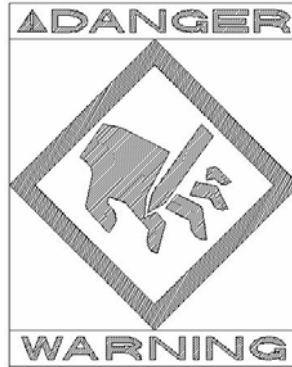
☎ TELEPHONE: ++ 44- (0) 117- 9235035
 FAX: ++ 44- (0) 117- 9829010

KENTMASTER MFG. CO., INC.
 1801 SOUTH MOUNTAIN AVE.
 MONROVIA, CALIFORNIA 91016
 UNITED STATES OF AMERICA

☎ TELEPHONE: (626) 359-8888
 FAX: (626) 303-5151

NOTICE TO EMPLOYER AND PURCHASER OF TOOL
NOTICE TO SAFETY DIRECTOR

You have purchased a powerful tool that, if misused, can cause severe injury and harm to your employees. You must instruct your employees in the safe and proper use of this tool and to follow the safety procedures and instructions that have been supplied by the manufacturer of this tool. Please follow the following instructions.



1. Instruct tool operators to test the tool each day before using it to be sure it does not malfunction. Remove and repair any tool that malfunctions.
2. Instruct tool operators to immediately stop using a tool that malfunctions or is defective.
3. Instruct personnel to immediately remove all tools that malfunction. Be sure to disconnect tool from power supply.
4. Instruct all personnel to stay clear of tool, and not to stand or walk in front of, or next to tool when in use.
5. Point out to all personnel the dangers related to the misuse of tool and the importance of following safety procedures and instructions.
6. Do not make, or allow others to make, alterations or modifications to this tool. Replace all lost or illegible labels.
7. Follow all safety, installation and maintenance instructions provided with this tool. Establish proper safety procedures in accordance with local and national requirements to prevent accidental energizing of tool that can cause injuries.
8. If this tool is sold or change in ownership takes place, you must provide the new owner all safety instructions, notices and maintenance instructions you were originally provided. You can obtain additional copies of the instructions from Kentmaster, free of charge upon request.
9. Give copies of instructions to:
 - (A) Tool Operators**
 - (B) Maintenance Supervisor**
 - (C) Clean-up Supervisor**

GENERAL INFORMATION


COVERING: SAFETY PRECAUTIONS AND PLACING INTO SERVICE


HYDRO POWER UNIT


READ THIS MANUAL CAREFULLY BEFORE INSTALLING, OPERATING OR SERVICING THIS TOOL

IT IS THE RESPONSIBILITY OF THE EMPLOYER TO PLACE THIS INFORMATION INTO THE HANDS OF THE OPERATOR.


PLACING INTO SERVICE

 **WARNING** = Hazards or unsafe practices which could result in severe personal injury, death or substantial property damage.

 **CAUTION** = Hazards or unsafe practices which could result in minor personal injury, product or property damage.

 **NOTICE** = Important installation, operation or maintenance information.

 **WARNING** Installation, adjustment repair and maintenance of this tool must be made by trained and qualified personnel.

 **WARNING** Always disconnect power supply from tool before:
(A) Installing or removing blade from tool.
(B) Making repairs or adjustments to the tool.
(C) performing maintenance or cleanup work.

DECLARATION OF CONFORMITY**DECLARATION OF CONFORMITY**DECLARATION DE CONFORMITE -DECLARACION DE CONFORMIDAD- ERKLARUNG BEZUGLICH EINHALTUNG DER VORSCHRIFTEN
DICHIARAZIONE DI CONFORMITA . CONFORMITEITSVERKLARING**MANUFACTURED BY:**FABRIQUE PAR:
FABRICADA POR:
HERGESTELLTVON:
FABBRICATO DA:
VERVAARDIGD DOOR:**KENTMASTER MFG CO., INC.****1801 SOUTH MOUNTAIN AVE.
MONROVIA, CALIFORNIA 91016
UNITED STATES OF AMERICA
TELEPHONE (626) 359-8888 FAX (626) 303-5151****TYPE / SERIES: HYDRO POWER UNIT**TYPE / SERIE:
TIPO / SERIE:
TYP / SERIE:
TIPO / SERIE:
TYPE / SERIE:**MODEL: HPP-1-A**MODELE:
MODELO:
MODELL:
MODELLO:
MODEL:**SERIAL NO. RANGE: XXXXX**

N SERIE: • GAMA DE No. DE SERIE: • SERIEN-NR.-BEREICH: • NUMERI DI SERIE: • SERIENUMMERS:

This product complies with the following European Community Directives:Ce produit est conforme aux directives de la Communauté européenne suivantes:
Este producto cumple con las siguientes Directrices de la Comunidad Europea:
Dieses Produkt erfüllt die folgenden Vorschriften der Europäischen Gemeinschaft:
Questo prodotto è conforme alle seguenti direttive CEE:
Dit produkt voldoet aan de volgende EG-richtlijnen:**89/392/EEC, 91/368/EEC, 93/44/EEC, 93/68/EEC****The following Standards were used to verify compliance with the Directives:**Les normes suivantes ont été utilisées pour vérifier la conformité avec les Directives:
Las siguientes Normas se usaron para verificar el cumplimiento de las Directrices:
Folgende Normen wurden angewandt, um Erfüllung der Vorschriften zu bestätigen:
Per verificare la conformità del prodotto alle direttive sono stati usati i seguenti standard:
De volgende normen zijn gebruikt om naleving van de richtlijnen te bevestigen:**EN 292****Approved by:** _____RALPH KARUBIAN MONROVIA, CA. U.S.A
(Engineering Manager) (Directeur technique) (gerente de ingenieria) (verantwortlicher Konstruktionsleiter) (Responsabile tecnico) (ondersteunend technisch manager)**Date: AUG - 1 - 1995**

Kentmaster Worldwide Location

Kentmaster Equipment (Aust) PTY.LTD.

Unit 2,24 Central Court
Browns Plains Qld. 4118
Australia

Telephone: (07) 3806-8400

Fax: (07) 3806-7933

Australia@Kentmaster.com

Kentmaster do Brasil, Ltda.

Av. Dr. Joao Teodoro No. 805
Bairro De Vila Rezende
13405-240 Piracicaba, SP,
Brazil

Telephone #1: (019) 3 413 3113

Telephone #2: (019)983-4973

Fax: (019) 3 413 3113

Brazil@Kentmaster.com

Kentmaster (IRL) LTD.

Benamore, Dublin Road.
Roscrea,
CO, Tipperary,
Ireland

Telephone: (353) 0505-23292

Fax: (353) 0505-23299

Ireland@Kentmaster.com

Kentmaster Equipment (NZ) LTD.

5 Cooper Street
Havelock North
New Zealand

Telephone #1: (64) 6 8777 857

Telephone #2: 0800 KENTMASTER

Fax: (64) 6 8777 858

NewZealand@Kentmaster.com

Kentmaster South Africa (PTY) LTD.

Johannesburg - S. Africa
Unit 54 Sunnyrock Park
Sunrock Close, Germiston
South Africa

Telephone: (27) 11-455-3748

Fax: (27) 11-455-3749

SouthAfrica@Kentmaster.com

Kentmaster (UK) LTD.

Unit 16 Avonbank Ind. Centre
West Town Rd, Avonmouth-Bristol,
BS11 9DE
England

Telephone: (44) 117-923-5035

Fax: (44)-117-932-9010

UK@Kentmaster.com

Kentmaster Mfg. Co., Inc.

1801 South Mountain Ave.
Monrovia, CA, 91016
USA

Telephone #1: (626) 359-8888

Telephone #2: (800) 421-1477

Fax: (626) 303-5151

info@Kentmaster.com

Kentmaster Omaha

4417 South 139th Street
Omaha, NE, 68137
USA

Telephone #1: (402) 896-3355

Telephone #2: (800) 367-3181

Fax: (402) 896-3311

Omaha@Kentmaster.com

INDEX

GENERAL SAFETY INSTRUCTIONS	2
OPERATING INSTRUCTIONS	3
MAINTENANCE	3
SERVICE	3
PARTS BOOK	3
HPP-1-A, TECHNICAL SPECIFICATIONS	6
Electrical	6
Standard Motor options for Kentmaster Power Unit HPP-1-A:	6
Control Panel:	6
Hydraulic	6
Air supply	6
HPP-1-A : INSTALLATION, OPERATING AND MAINTENANCE	8
INSTALLATION AND OPERATING INSTRUCTIONS	8
MAINTENANCE INSTRUCTIONS	8
TROUBLESHOOTING	9
TOOL CONTROL OPTIONS	9
HPP-1-A TUBING DIAGRAM WITHOUT ANTI-TIE DOWN OPTION.....	10
HPP-1-A TUBING DIAGRAM WITH ANTI-TIE DOWN OPTION	11
GENERAL INFORMATION	14
DECLARATION OF CONFORMITY	15
Kentmaster Worldwide Location	16
INDEX	17
FIGURES - INDEX	17

FIGURES - INDEX

Figure 1 MODEL "HPP-1-A" – MAIN ASSEMBLY	4
Figure 2 BOM FOR MODEL "HPP-1-A".....	5
Figure 3 HPP-1-A, WIRING DIAGRAM.....	7
Figure 4 HPP-1-A TUBING DIAGRAM WITHOUT ANTI-TIE DOWN.....	10
Figure 5 HPP-1-A TUBING DIAGRAM WITH ANTI-TIE DOWN.....	11