

OPERATOR'S MANUAL

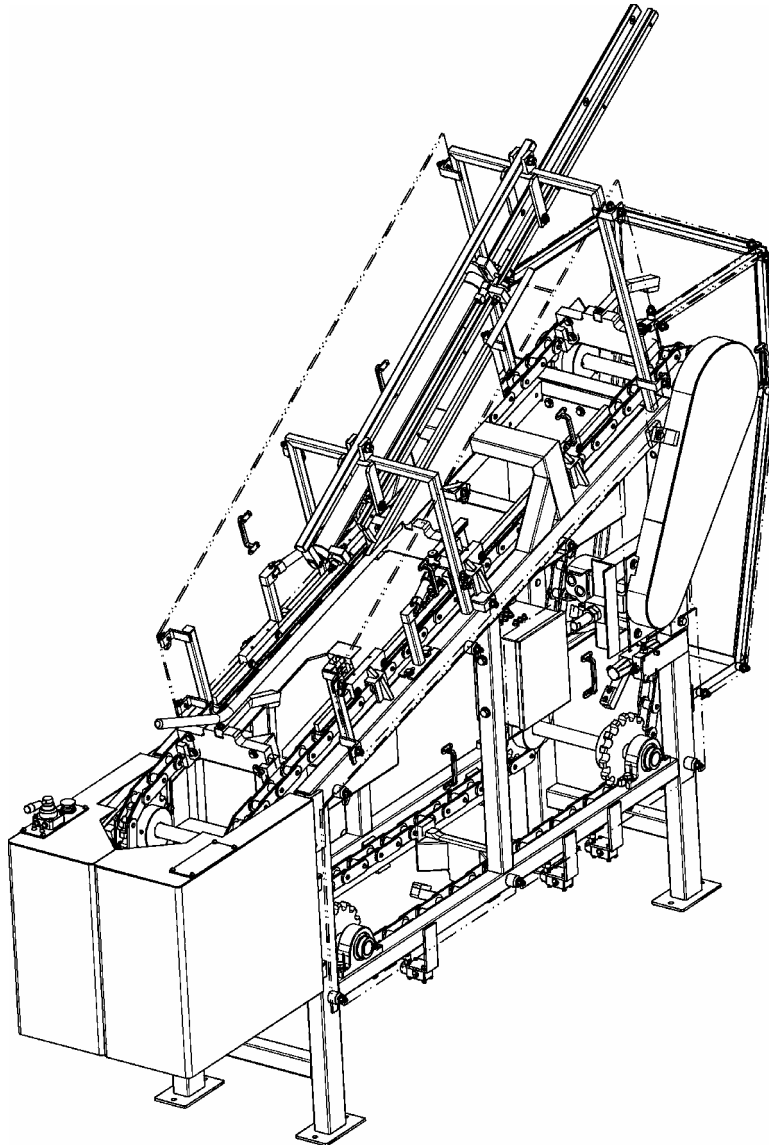
INCLUDING: OPERATION, INSTRUCTION, INSTALLATION, MAINTENANCE AND PARTSBOOK




IMPORTANT: READ THIS MANUAL CAREFULLY BEFORE INSTALLING, OPERATING OR SERVICING THIS TOOL.

PORK JAW BONE TABLE






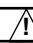

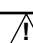

TOOL DATA

MODEL: JBT
ASSEMBLY No: 6650000
TYPE: AIR/HYDRAULIC OPERATED
NET WEIGHT: 1300 LBS
HYDRAULIC PRESSURE: 1500 P.S.I.
INLET AIR PRESSURE: 90 P.S.I. (6-7 BARS)



 WARNING	= Hazards or unsafe practices which could result in severe personal injury, death or substantial property damage.
 CAUTION	= Hazards or unsafe practices which could result in minor personal injury, product or property damage.
 NOTICE	= Important installation, operation or maintenance information.

OPERATING AND SAFETY INSTRUCTIONS

-  **WARNING** DO NOT OPERATE THIS TOOL UNTIL YOU HAVE READ AND UNDERSTOOD THE SAFETY INSTRUCTIONS AND OPERATING MANUALS.
-  **WARNING** DO NOT OPERATE THIS TOOL UNTIL YOU HAVE RECEIVED TRAINING IN THE HANDLING, OPERATION AND USE OF THIS TOOL.
-  **WARNING** STOP USING A MALFUNCTIONING OR DEFECTIVE TOOL IMMEDIATELY. REPORT ANY PROBLEMS OR DEFECTS TO YOUR SUPERVISOR FOR REMOVAL OF THE TOOL FROM SERVICE.
-  **WARNING** DO NOT ATTEMPT TO REPAIR THE TOOL YOURSELF.
-  **WARNING** DO NOT ALLOW UNAUTHORIZED PERSONS TO USE TOOL.
-  **WARNING** REMOVE AND DISCONNECT POWER FROM THE TOOL WHEN TOOL IS LEFT UNATTENDED OR IS NOT IN USE.
-  **WARNING** NEVER TIE DOWN, BYPASS, ALTER OR MODIFY THE ACTIVATING SWITCHES OR TRIGGERS OF THIS TOOL.
-  **WARNING** NEVER MAKE ALTERATIONS OR MODIFICATIONS TO THIS TOOL.
-  **WARNING** BE CONSTANTLY AWARE AND ALERT FOR UNSAFE CONDITIONS AND REPORT THEM IMMEDIATELY TO YOUR SUPERVISOR.
-  **WARNING** NEVER PLACE YOUR HAND OR ANY PART OF YOUR BODY IN THE CUTTING PATH OF THE TOOL.
-  **WARNING** NEVER ALLOW ANYONE ELSE TO PLACE THEIR HANDS OR ANY PART OF THEIR BODY IN THE CUTTING PATH OF THE TOOL.
-  **WARNING** DO NOT ACTIVATE CONTROL SWITCHES OR TRIGGERS OF THIS TOOL UNLESS YOU INTEND TO TEST OR OPERATE THIS TOOL.
-  **WARNING** DO NOT USE THIS TOOL FOR ANY PURPOSE OTHER THAN IT'S INTENDED PURPOSE.
-  **CAUTION** WHEN OPERATING THIS TOOL WEAR THE PROTECTIVE GEAR AND SAFETY EQUIPMENT SUPPLIED TO YOU.
-  **WARNING** THE NOISE EMISSION (SOUND PRESSURE LEVEL) AT THE WORKSTATION MAY EXCEED 80 dB (A). EAR AND SOUND PROTECTION GEAR IS REQUIRED.

OPERATING INSTRUCTIONS

⚠ WARNING ONLY TRAINED PERSONNEL ARE TO OPERATE THIS TOOL.

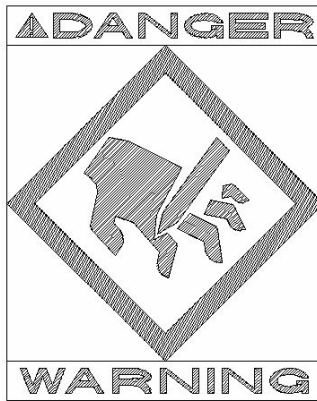
MAINTENANCE

⚠ WARNING ONLY TRAINED AND QUALIFIED PERSONNEL ARE TO PERFORM MAINTENANCE AND SERVICE TO THIS TOOL.

1. MAKE ALL NECESSARY LINE CONNECTIONS TO THE TOOL.
2. AN AIR FILTER-REGULATOR-LUBRICATOR (PART NO. 7200030) MUST BE INSTALLED IN AIR SUPPLY FOR EACH TOOL.
3. FILL LUBRICATOR WITH KENTMASTER AIR MIST OIL (PART NO. 7903050). SET DRIP RATE ACCORDING TO INSTRUCTIONS SUPPLIED. TURN ADJUSTMENT ON SIGHT FEED DOME TO INCREASE/DECREASE OIL DELIVERY. MONITOR THE DEVICE BEING LUBRICATED AND READJUST IF NEEDED.
4. TOOL REQUIRES 90 P.S.I. AIR PRESSURE.

SERVICE

1. KEEP GOOD RECORDS OF ALL SERVICE ACTIVITY AND INCLUDE TOOL IN PREVENTIVE MAINTENANCE PROGRAM.
2. USE ONLY GENUINE KENTMASTER REPLACEMENT PARTS TO ASSURE PROPER PERFORMANCE OF TOOL.
3. CONTACT THE KENTMASTER SUPPLIER NEAREST YOU FOR PARTS AND CUSTOMER SERVICE INFORMATION.



BLADE REMOVAL AND CLEANING.

⚠ WARNING ALWAYS DISCONNECT POWER SUPPLY FROM TOOL BEFORE INSTALLING OR REMOVING BLADE FROM TOOL.

⚠ WARNING ALWAYS WEAR WIRE MESH GLOVES WHEN INSTALLING OR REMOVING BLADE FROM TOOL.

PARTS BOOK

JBT

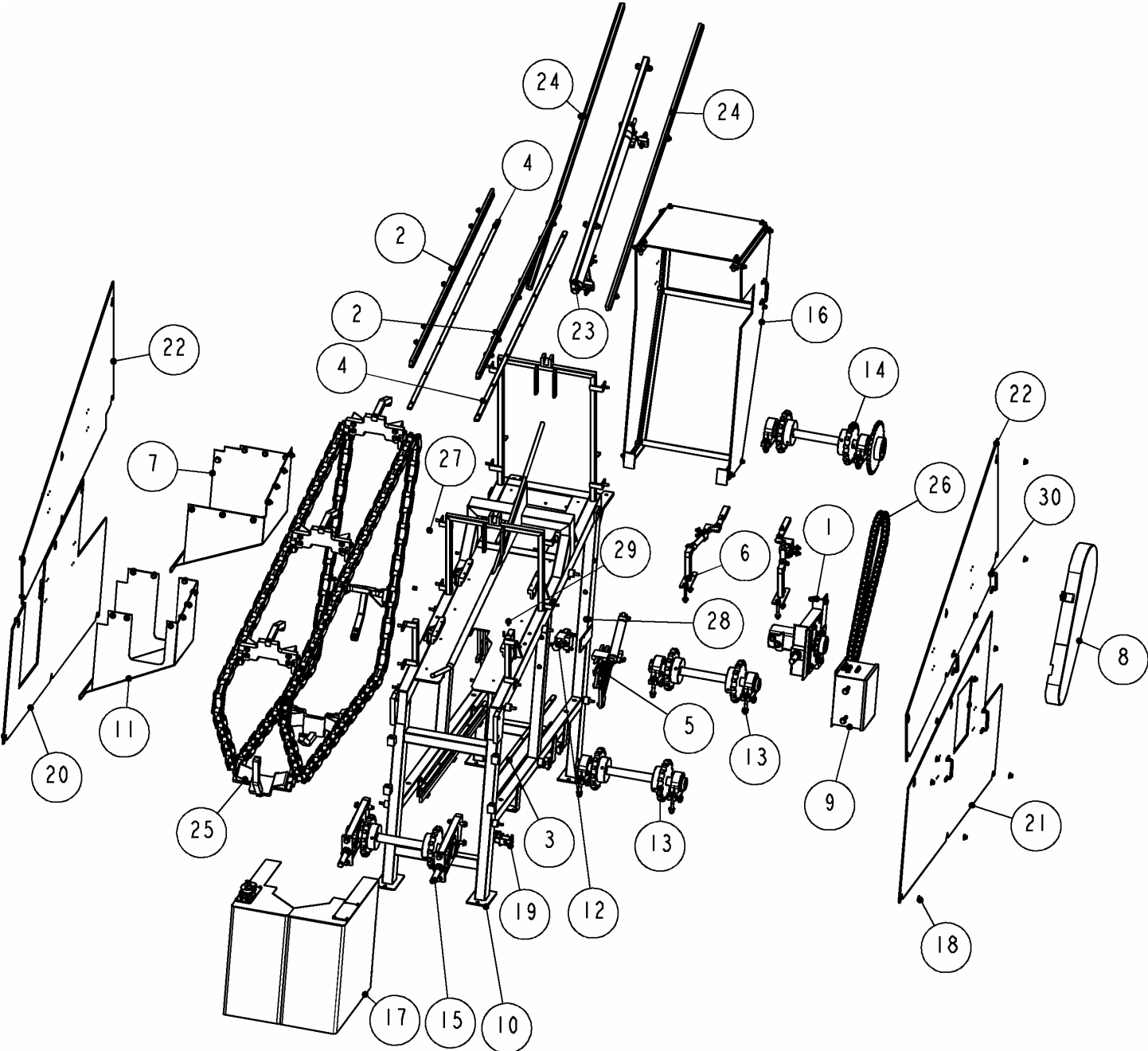


Figure 1 MODEL "JBT" – MAIN ASSEMBLY

6650000: PORK JAW BONE TABLE			
ITEM	PART #	DESCRIPTION	QTY
1	6650100	HYDRAULIC MOTOR ASSEMBLY	1
2	6650190	UPPER CHAIN SUPPORT	2
3	6650200	BOTTOM CHAIN SUPPORT - STRIP	2
4	6650210	CHAIN BOTTOM STRIP - TABLE	2
5	6650300	SNOUT PULLER SET ASSEMBLY	1
6	6650520	KNIVES SET ASSEMBLY	1
7	6650750	HEAD CHUTE ASSEMBLY - LEFT SIDE	1
	6650970	HEAD CHUTE ASSEMBLY - RIGHT SIDE	1
8	6650810	COVER SET, DRIVE CHAIN - RIGHT	1
	6650990	COVER SET, DRIVE CHAIN - LEFT	1
9	6650940	AIR VALVES SET w/ENCLOSURE	1
10	6651000	FRAME	1
11	6651630	SNOUT CHUTE ASSEMBLY -LEFT SIDE	1
	6651690	SNOUT CHUTE ASSEMBLY -RIGHT SIDE	1
12	6651710	PILOT VALVE ASS'Y - MOTOR	1
13	6652000	IDLER SPROCKET SET	2
14	6652100	DRIVE SPROCKET SET	1
15	6652210	TAKE UP SET WITH SLIDES	1
16	6652310	REAR COVER ASSEMBLY	1
17	6652560	FRONT COVER ASSEMBLY	1
18	6652700	NUT	24
19	6652710	LIMIT SWITCH ASSEMBLY	3
20	6652720	SIDE COVER - HEAD CHUTE	1
21	6652730	SIDE COVER - SNOT CHUTE BACK	1
22	6652740	TOP COVER	2
23	6654000	JAW BONE CYLINDER w/BRACKET	1
24	6654060	SLIDE ASSEMBLY, JAW BONE CYL.	2
25	6655510	CONVEYOR CHAIN w/PUSHERS	1
26	7400229	DRIVE CHAIN	1
27	7400240	PLUG	8
28	7400257	FLOW CONTROL	1
29	8311080	SET SCREW	12
30	8897020	PULL HANDLE	8

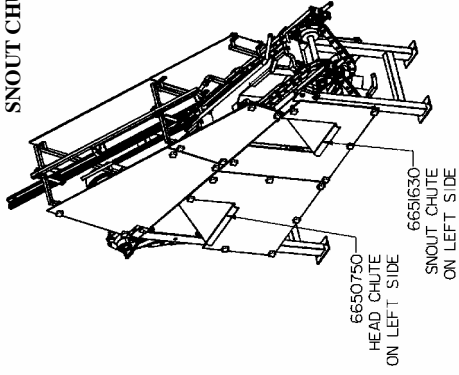
JAW BONE TABLE - OPTIONS

1. JAW BONE TABLE WITH **HEAD CHUTE ON RIGHT AND SNOUT CHUTE ON RIGHT SIDE**
2. JAW BONE TABLE WITH **HEAD CHUTE ON RIGHT AND SNOUT CHUTE ON LEFT SIDE**
3. JAW BONE TABLE WITH **HEAD CHUTE ON LEFT AND SNOUT CHUTE ON LEFT SIDE**
4. JAW BONE TABLE WITH **HEAD CHUTE ON LEFT AND SNOUT CHUTE ON RIGHT SIDE**
5. JAW BONE TABLE WITH **HEAD CHUTE ON RIGHT AND SNOUT CONVEYOR ON RIGHT SIDE**
6. JAW BONE TABLE WITH **HEAD CHUTE ON LEFT AND SNOUT CONVEYOR ON LEFT SIDE**

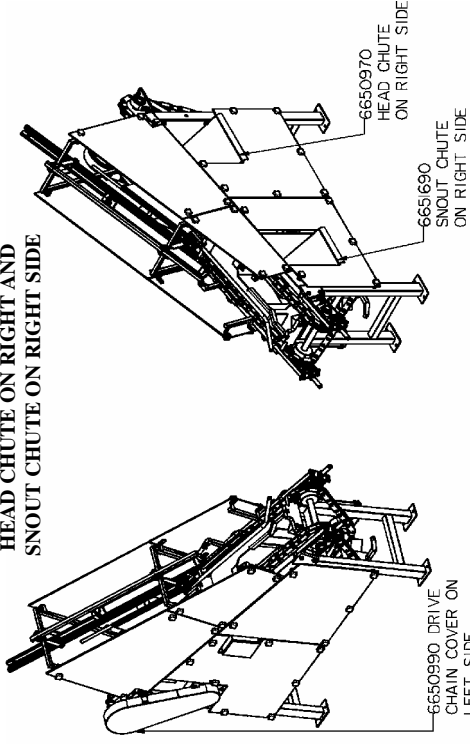
Figure 2 BOM FOR MODEL "JBT"

“JBT” OPTIONS

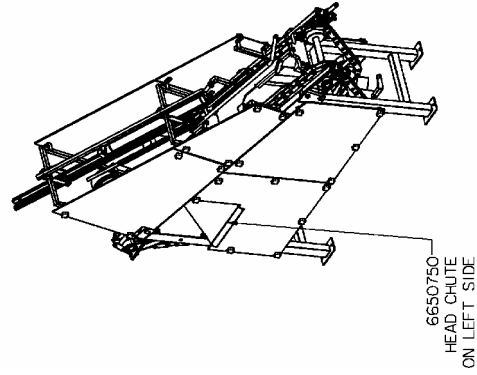
HEAD CHUTE ON LEFT AND
SNOUT CHUTE ON LEFT SIDE



HEAD CHUTE ON RIGHT AND
SNOUT CHUTE ON RIGHT SIDE



HEAD CHUTE ON LEFT AND
SNOUT CHUTE ON RIGHT SIDE



HEAD CHUTE ON RIGHT AND
SNOUT CHUTE ON LEFT SIDE

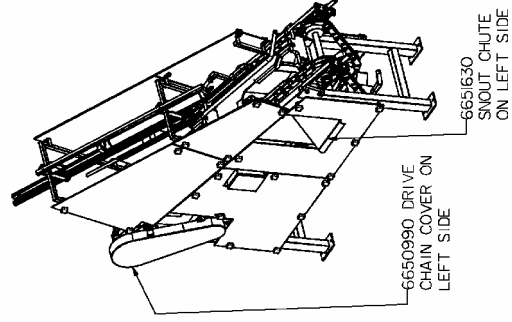
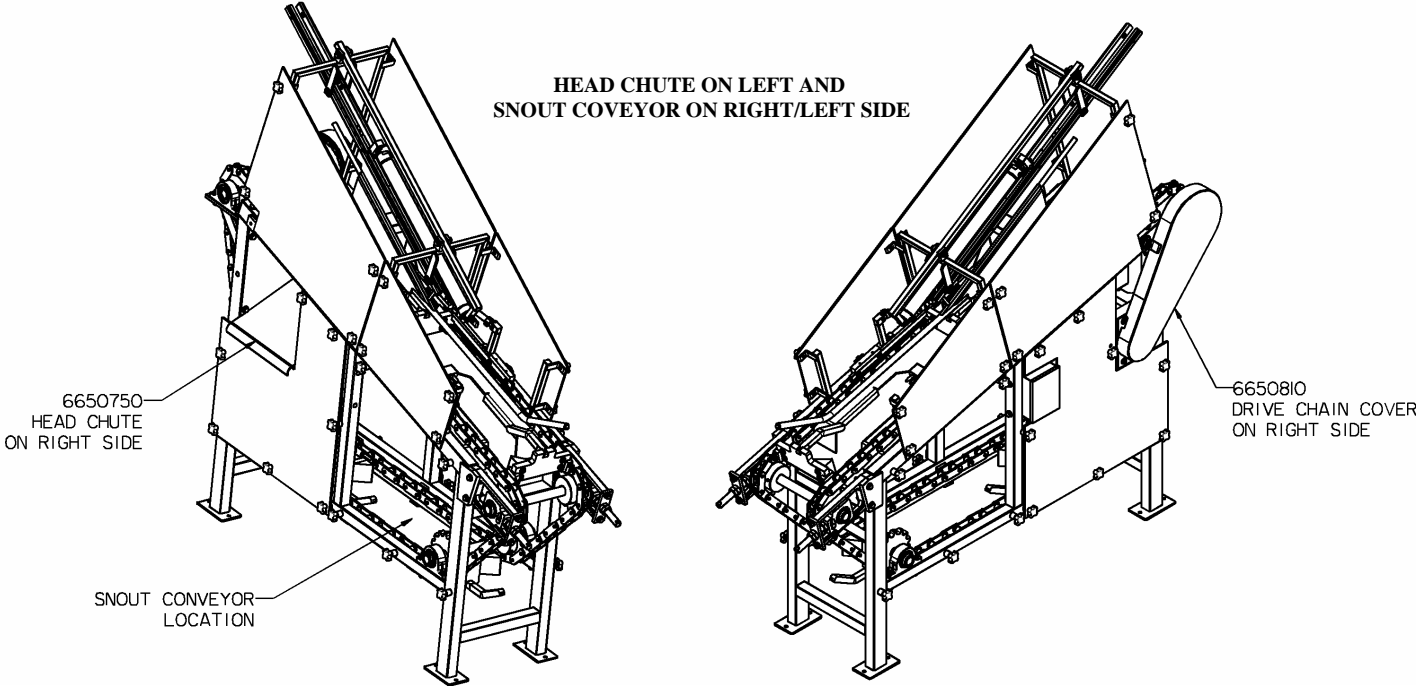
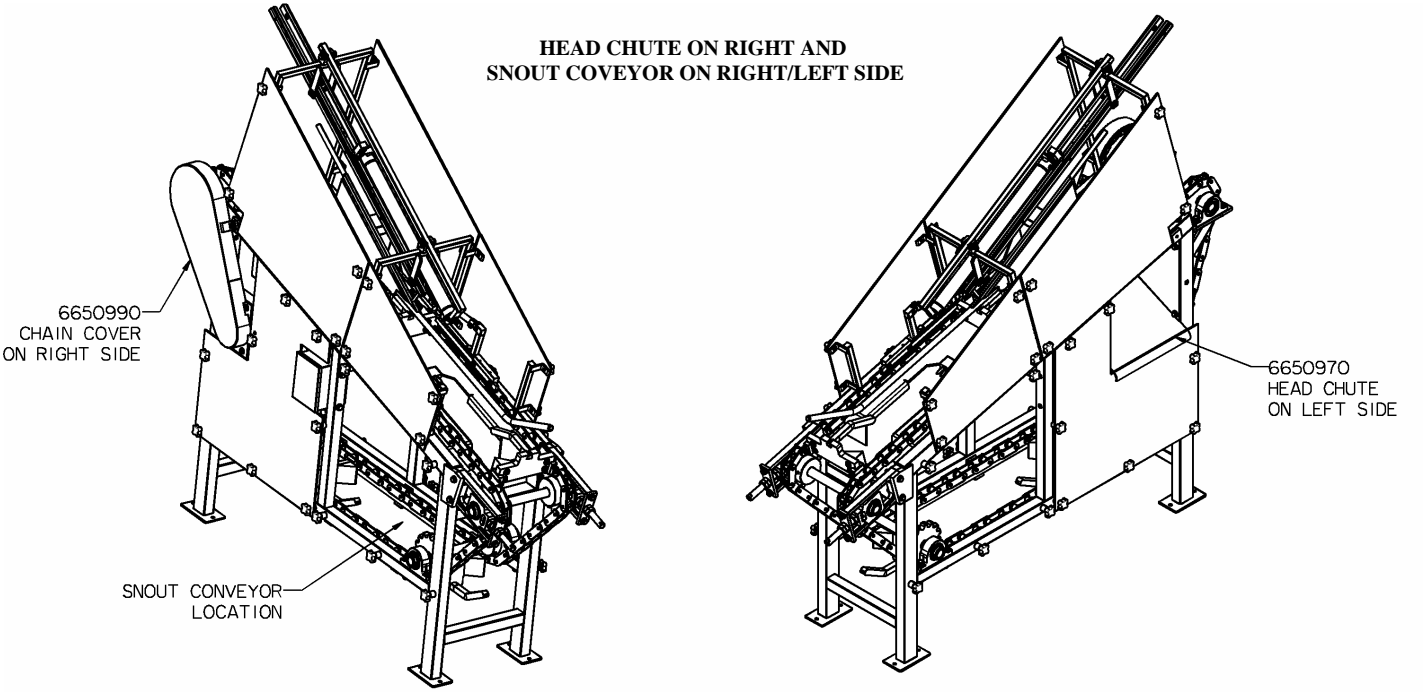


Figure 3 “JBT” OPTIONS – SNOOT CHUTE

KENTMASTER MFG. CO., INC. 1801 SOUTH MOUNTAIN AVE., MONROVIA, CALIFORNIA 91016 UNITED STATES OF AMERICA

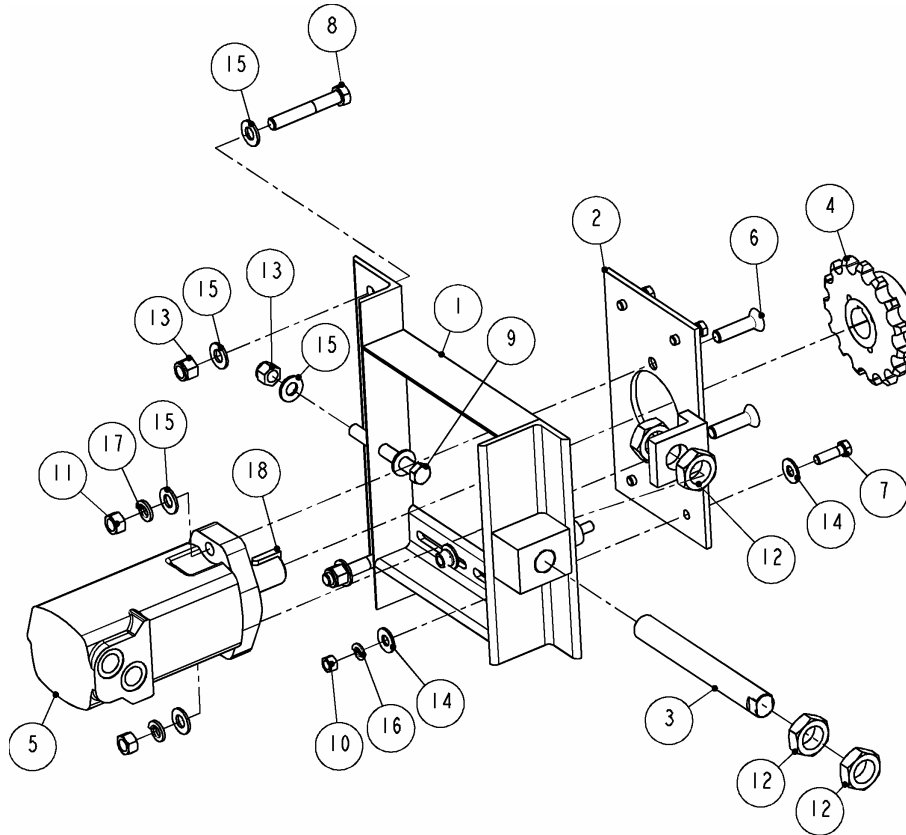
☎ TELEPHONE: (626) 359-8888 FAX: (626) 303-5151



Snout conveyor is option that replaces snout chute. Snout conveyor specification (length, width, type of installation, etc.) are according to costumer requirements.

Figure 4 “JBT” OPTIONS – SNOUT CONVEYOR

HYDRAULIC MOTOR



6650100: HYDRAULIC MOTOR ASSEMBLY			
ITEM	PART #	DESCRIPTION	QTY
1	6650140	MOTOR MOUNTING FRAME	1
2	6650180	MOTOR MOUNT PLATE	1
3	6652220	ADJUSTMENT BAR	1
4	7400231	DRIVE SPROCKET W/ TAPER BUSHING	1
5	7400232	MOTOR	1
6	8248080	SCREW	2
7	8415100	SCREW	4
8	8418240	SCREW	2
9	8418280	SCREW	1
10	8500150	NUT	4
11	8500200	NUT	2
12	8500600	NUT	4
13	8504170	NUT	3
14	8505160	WASHER	8
15	8505180	WASHER	8
16	8506160	WASHER	4
17	8506180	WASHER	2
18	8606100	KEY	1

Figure 5 6650100: HYDRAULIC MOTOR ASSEMBLY

CONVEYOR CHAIN SUPPORT

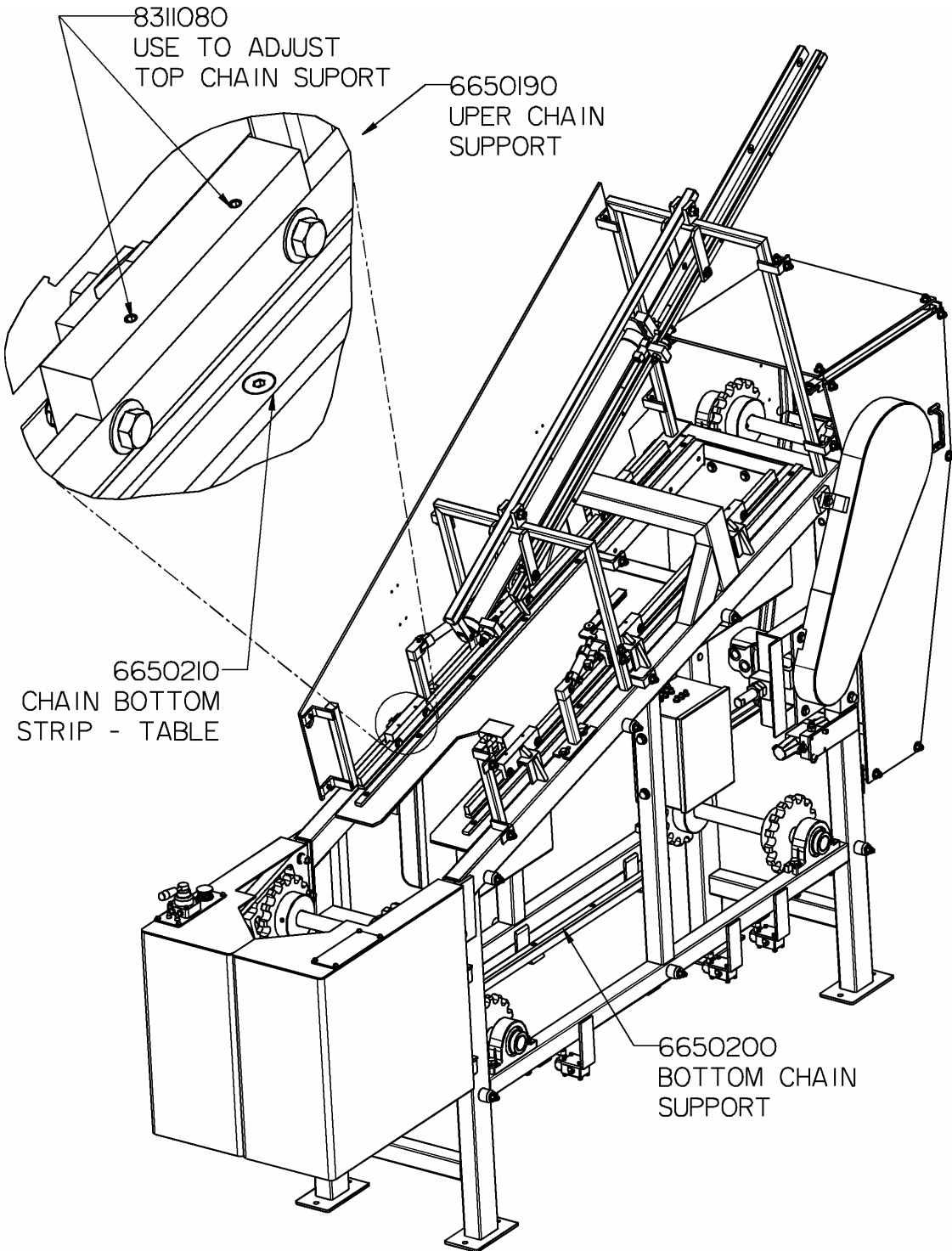
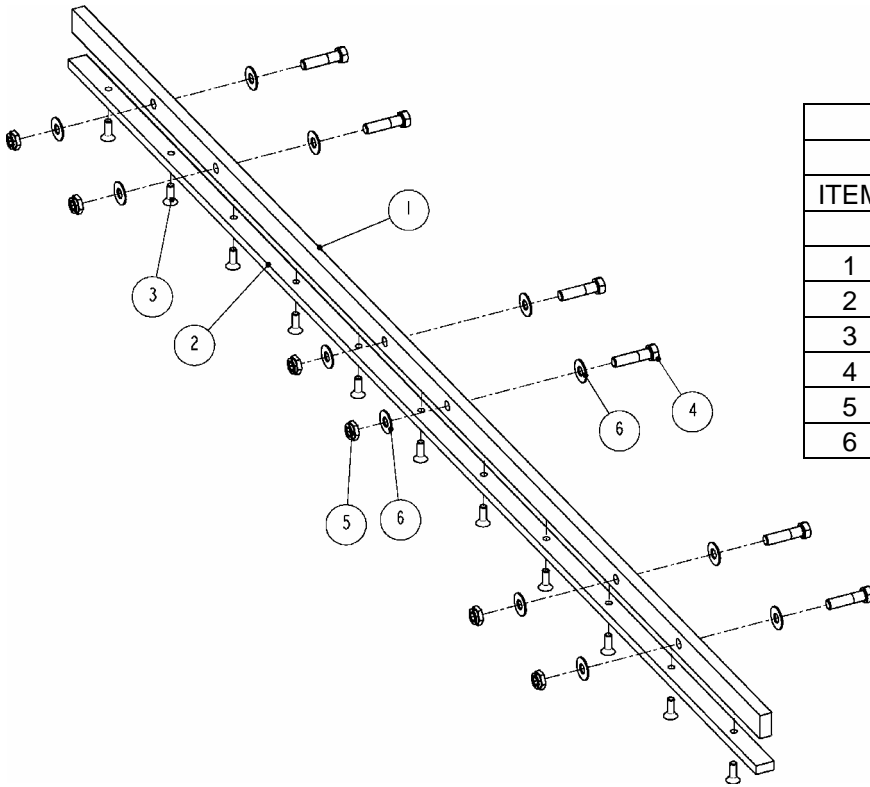
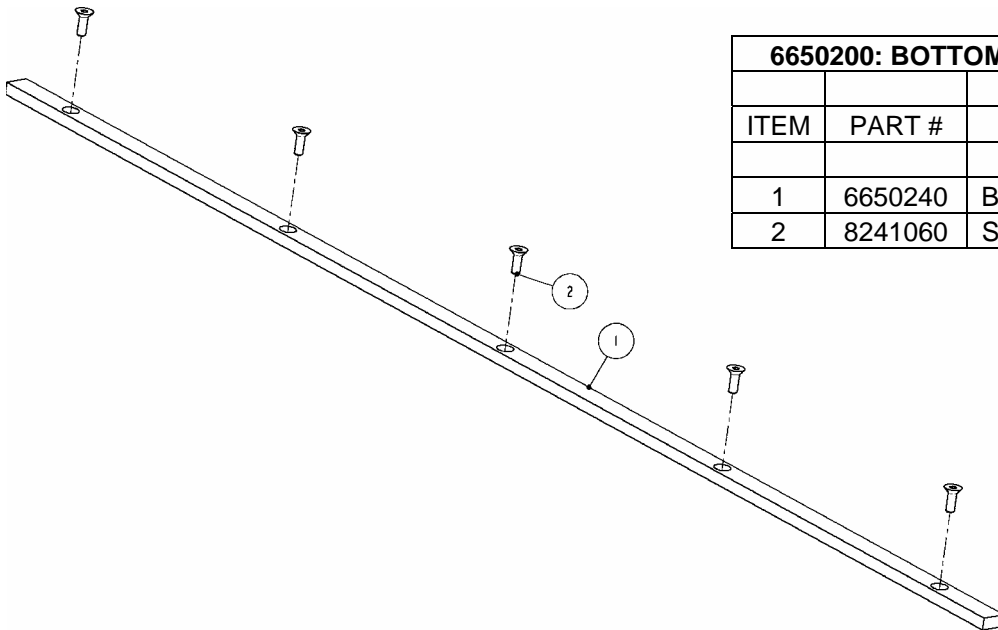


Figure 6 CONVEYOR CHAIN SUPPORT - POSITION



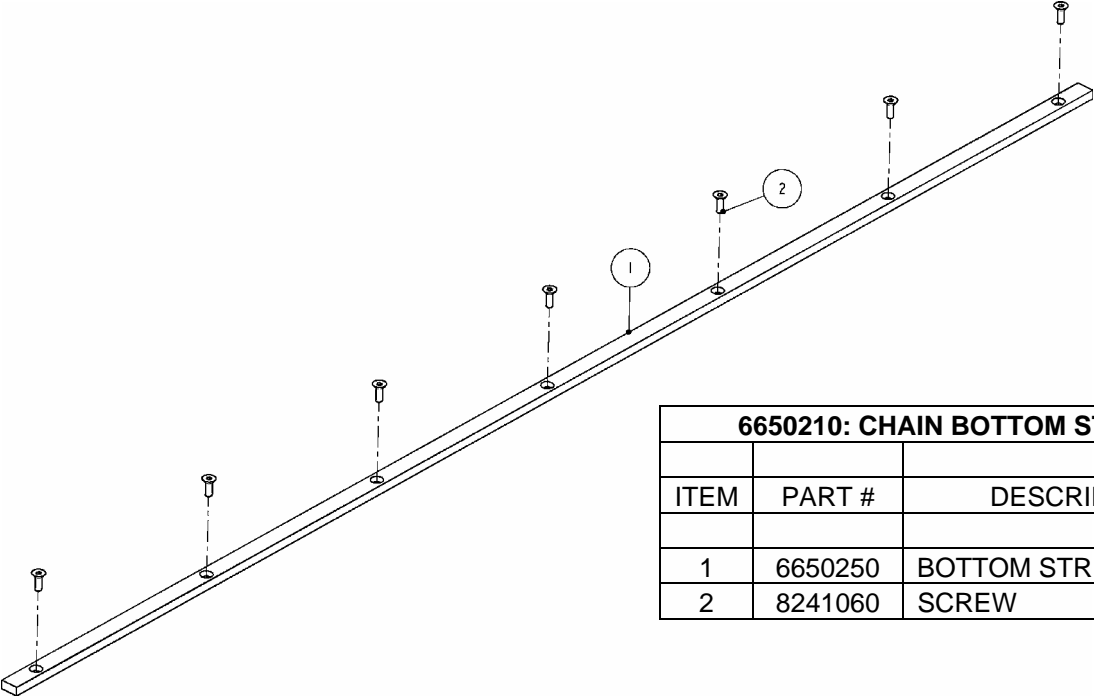
6650190: UPPER CHAIN SUPPORT			
ITEM	PART #	DESCRIPTION	QTY
1	6650220	UPPER SUPPORT	1
2	6650230	UPPER STRIP	1
3	8241060	SCREW	11
4	8415120	SCREW	6
5	8504870	NUT	6
6	8560160	WASHER	12

Figure 7 6650190: UPPER CHAIN SUPPORT



6650200: BOTTOM CHAIN SUPPORT - STRIP			
ITEM	PART #	DESCRIPTION	QTY
1	6650240	BOTTOM STRIP	1
2	8241060	SCREW	5

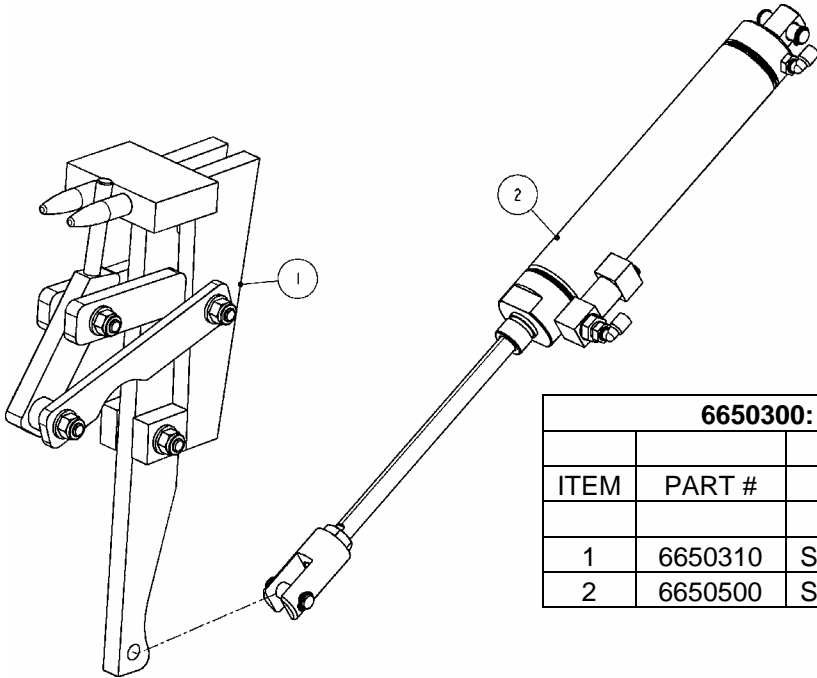
Figure 8 6650200: BOTTOM CHAIN SUPPORT



6650210: CHAIN BOTTOM STRIP - TABLE			
ITEM	PART #	DESCRIPTION	QTY
1	6650250	BOTTOM STRIP - TABLE	1
2	8241060	SCREW	7

Figure 9 6650210: CHAIN BOTTOM STRIP - TABLE

SNOUT PULLER



6650300: SNOUT PULLER SET ASSEMBLY			
ITEM	PART #	DESCRIPTION	QTY
1	6650310	SNOUT PULLER	1
2	6650500	SNOUT PULLER CYLINDER w/ CLEVIS	1

Figure 10 6650300: SNOUT PULLER ASSEMBLY

6650500: SNOUT PULLER CYLINDER w/ CLEVIS			
ITEM	PART #	DESCRIPTION	QTY
1	5100370	RETAINING RING	4
2	6650470	PIN, CLEVIS SIDE	1
3	6650480	SNOUT PULLER CLEVIS	1
4	6650490	PIN, SNOUT PULLER CYLINDER	1
5	7036350	ELBOW	2
6	7400173	AIR CYLINDER	1
7	7400265	PNEUMATIC SENSOR	1
8	8500180	NUT	1

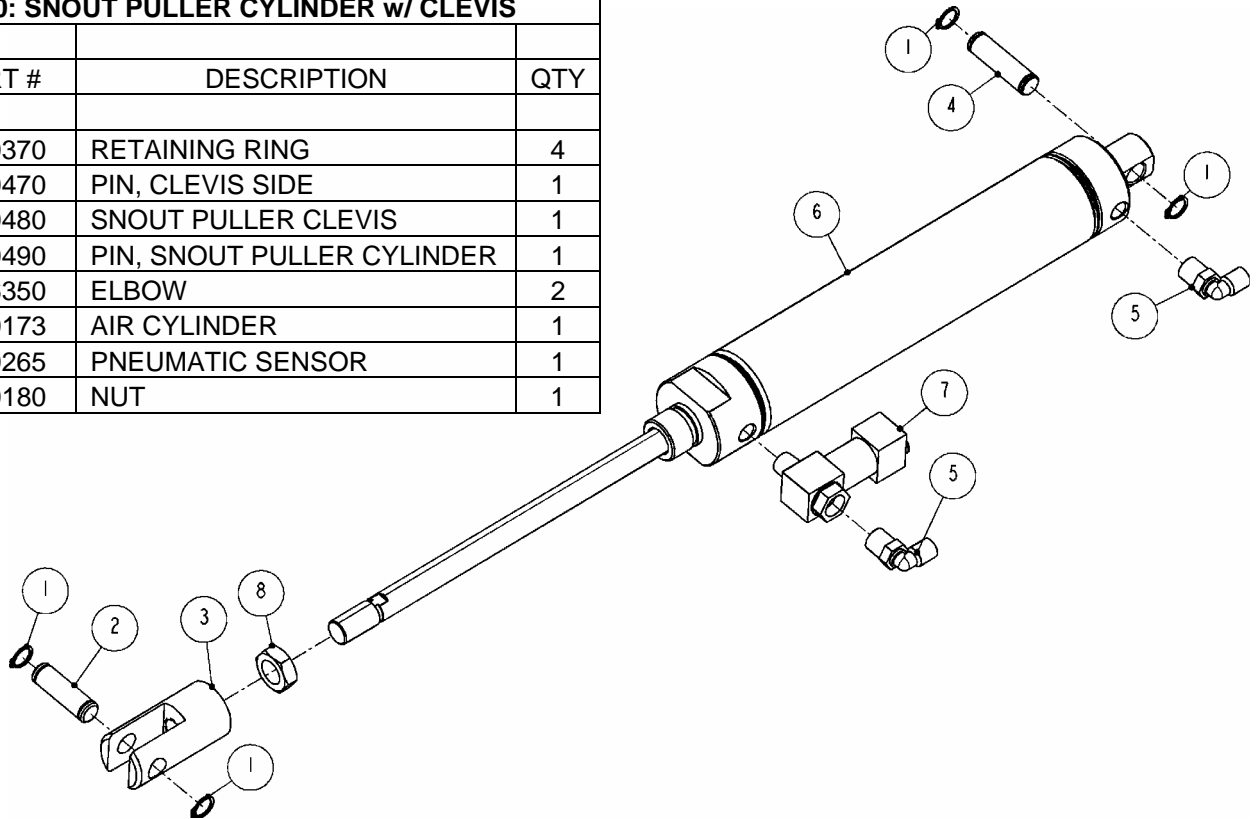
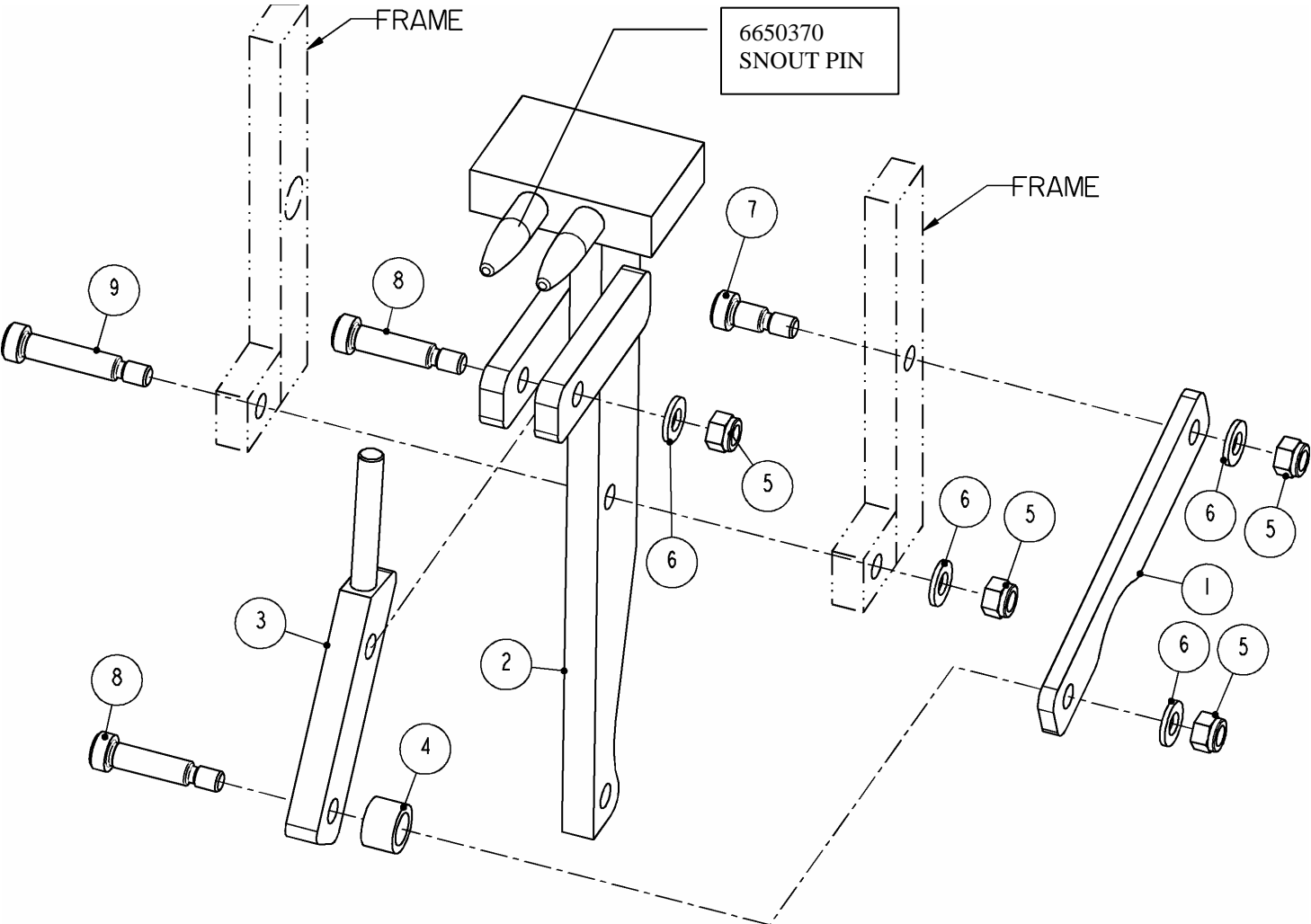


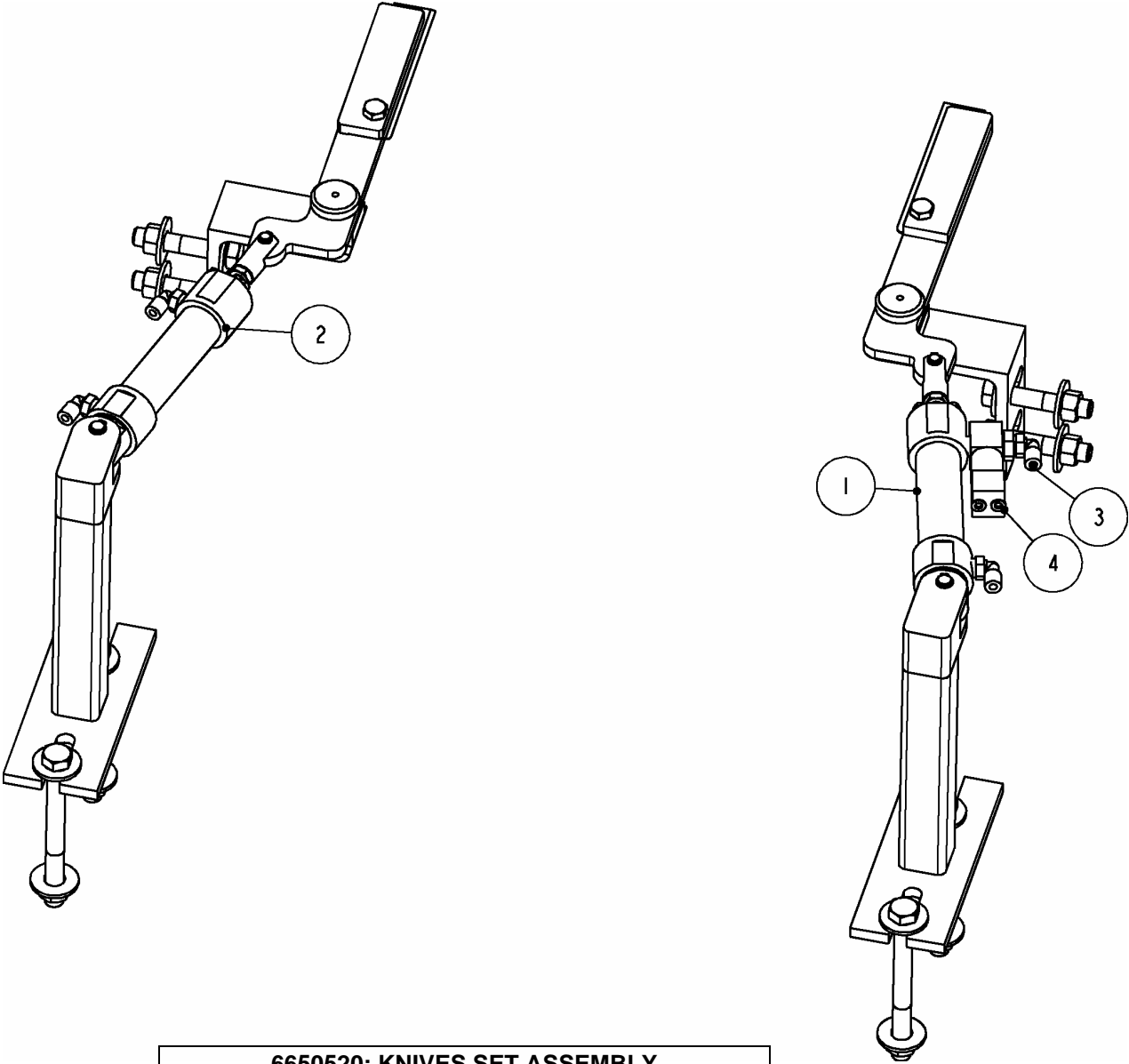
Figure 11 6650500: SNOUT PULLER CYLINDER



6650310: SNOUT PULLER			
ITEM	PART #	DESCRIPTION	QTY
1	6650400	LINK BAR	1
2	6650420	SNOUT PULLER FRAME	1
3	6650450	PUSHER	1
4	6650460	SPACER	1
5	8504130	NUT	4
6	8505610	WASHER	4
7	8870310	SCREW	1
8	8870370	SCREW	2
9	8870380	SCREW	1

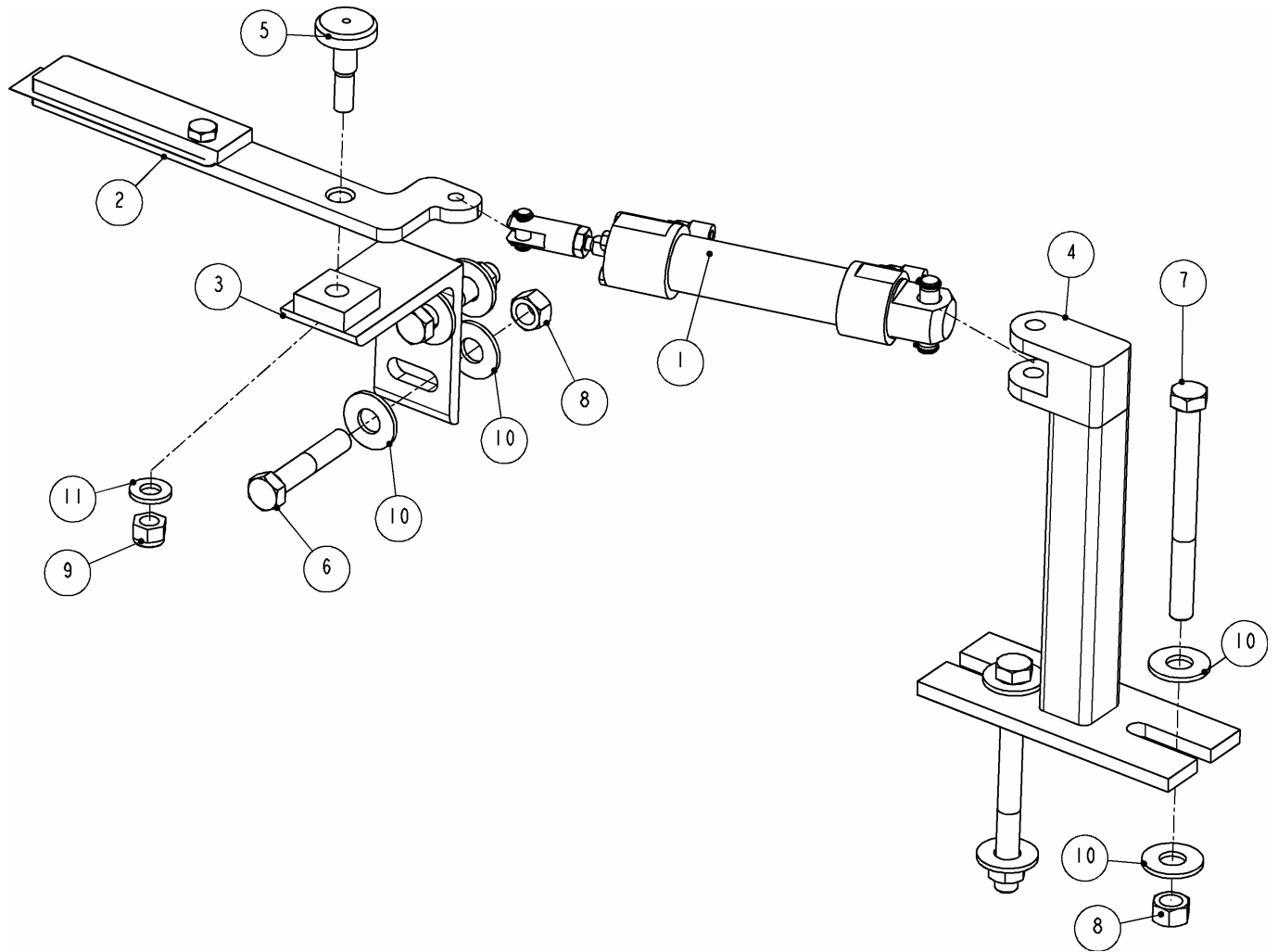
Figure 12 650310: SNOUT PULLER

KNIVES ASSEMBLY



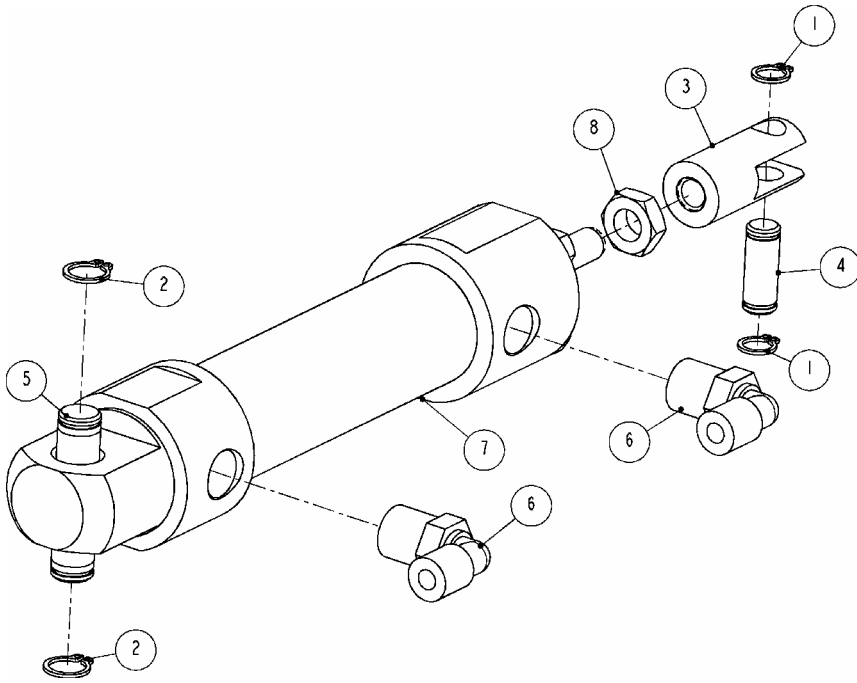
6650520: KNIVES SET ASSEMBLY			
ITEM	PART #	DESCRIPTION	QTY
1	6650530	KNIFE SET - RIGHT SIDE	1
2	6650540	KNIFE SET - LEFT SIDE	1
3	7036350	ELBOW	1
4	7400265	PNEUMATIC SENSOR	1

Figure 13 6650520: KNIVES SET ASSEMBLY



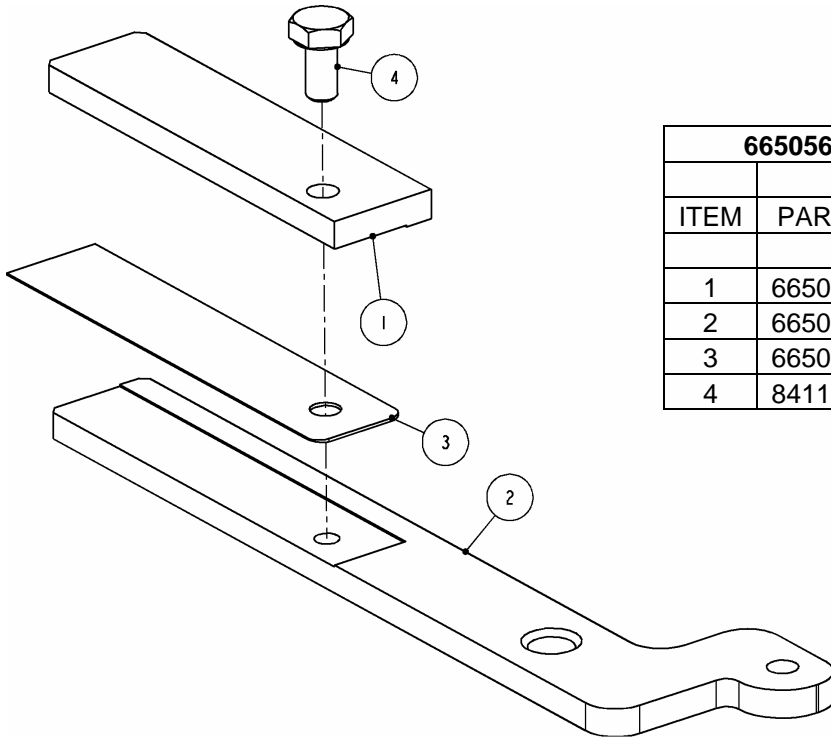
6650530: KNIFE SET - RIGHT SIDE			
ITEM	PART #	DESCRIPTION	QTY
1	6650550	KNIFE CYLINDER SET w/CLEVIS	1
2	6650560	BLADE ASSEMBLY - RIGHT SIDE	1
3	6650570	BLADE MOUNTING SET	1
4	6650590	CYLINDER BRACKET - REAR	1
5	6650730	PIVOT PIN	1
6	8415160	SCREW	2
7	8415280	SCREW	2
8	8500150	NUT	4
9	8504130	NUT	1
10	8505160	WASHER	8
11	8505610	WASHER	1

Figure 14 6650530: KNIFE SET – RIGHT SIDE



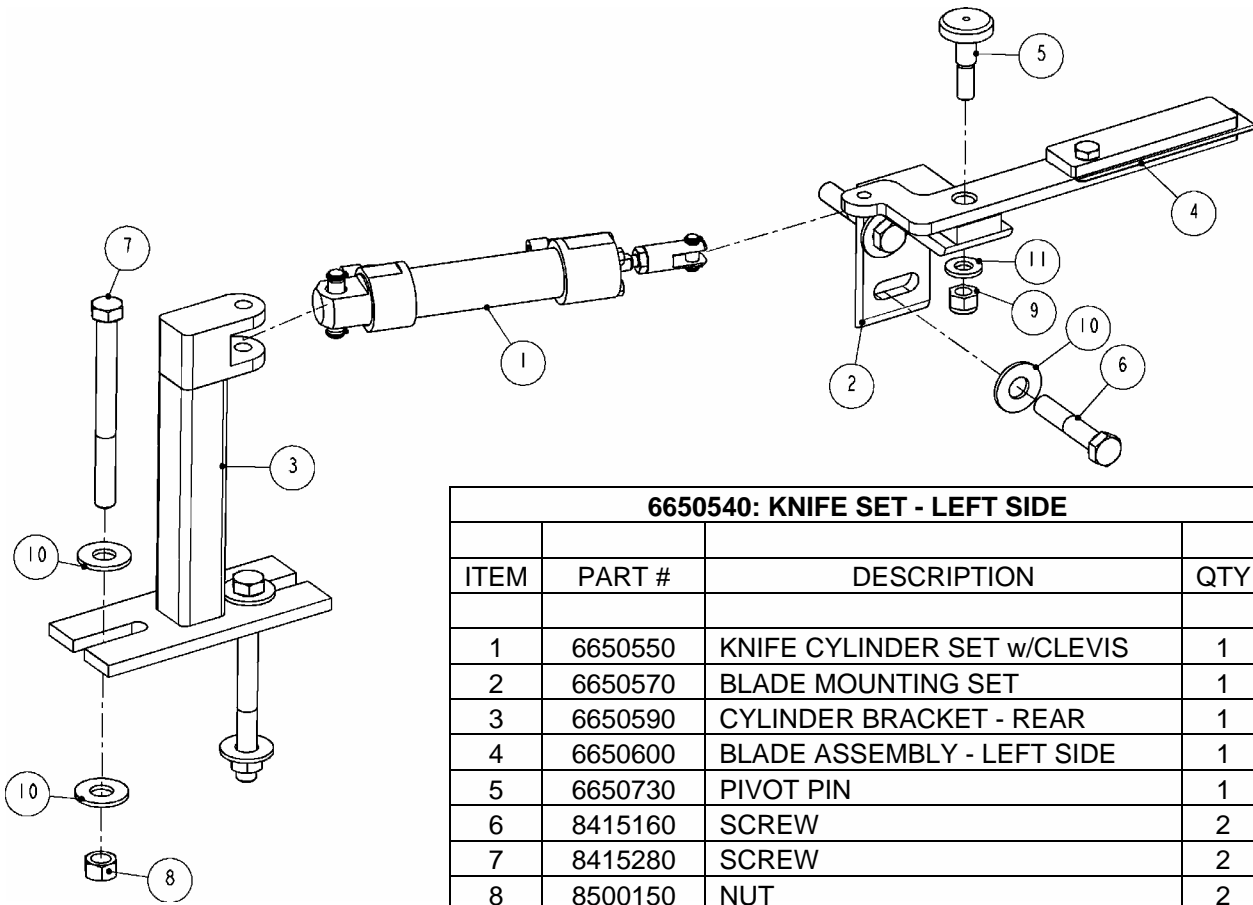
6650550: KNIFE CYLINDER SET w/CLEVIS			
ITEM	PART #	DESCRIPTION	QTY
1	5100250	RETAINING RING	2
2	5100310	RETAINING RING	2
3	6650700	CLEVIS	1
4	6650710	PIN, CLEVIS	1
5	6650720	PIN, CYLINDER REAR	1
6	7036350	ELBOW	2
7	7400238	CYLINDER	1
8	8500120	NUT	1

Figure 15 6650550: KNIFE CYLINDER SET



6650560: BLADE ASSEMBLY - RIGHT SIDE			
ITEM	PART #	DESCRIPTION	QTY
1	6650680	BLADE COVER -RIGHT	1
2	6650690	BLADE HOLDER - RIGHT	1
3	6650740	BLADE	1
4	8411040	SCREW	1

Figure 16 6650560: BLADE ASSEMBLY – RIGHT SIDE



6650540: KNIFE SET - LEFT SIDE			
ITEM	PART #	DESCRIPTION	QTY
1	6650550	KNIFE CYLINDER SET w/CLEVIS	1
2	6650570	BLADE MOUNTING SET	1
3	6650590	CYLINDER BRACKET - REAR	1
4	6650600	BLADE ASSEMBLY - LEFT SIDE	1
5	6650730	PIVOT PIN	1
6	8415160	SCREW	2
7	8415280	SCREW	2
8	8500150	NUT	2
9	8504130	NUT	1
10	8505160	WASHER	6
11	8505610	WASHER	1

Figure 17 6650540: KNIFE SET – LEFT SIDE

6650600: BLADE ASSEMBLY - LEFT SIDE			
ITEM	PART #	DESCRIPTION	QTY
1	6650610	BLADE HOLDER - LEFT	1
2	6650620	BLADE COVER - LEFT	1
3	6650740	BLADE	1
4	8411040	SCREW	1

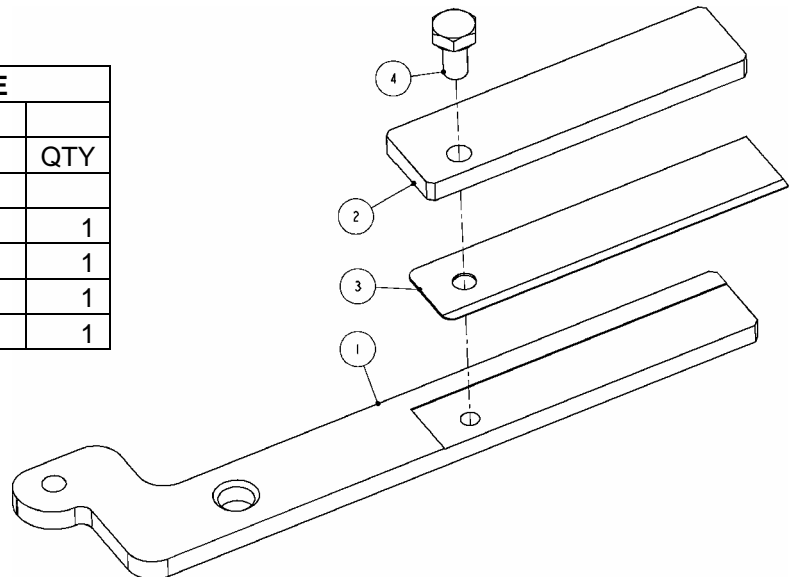


Figure 18 6650600: BLADE ASSEMBLY – LEFT SIDE

HEAD CHUTE

6650750: HEAD CHUTE ASSEMBLY - LEFT SIDE			
ITEM	PART #	DESCRIPTION	QTY
1	6650760	HEAD CHUTE - LEFT SIDE	1
2	8415080	SCREW	7
3	8415100	SCREW	3
4	8418280	SCREW	2
5	8504170	NUT	2
6	8504870	NUT	7
7	8505160	WASHER	17
8	8505180	WASHER	4

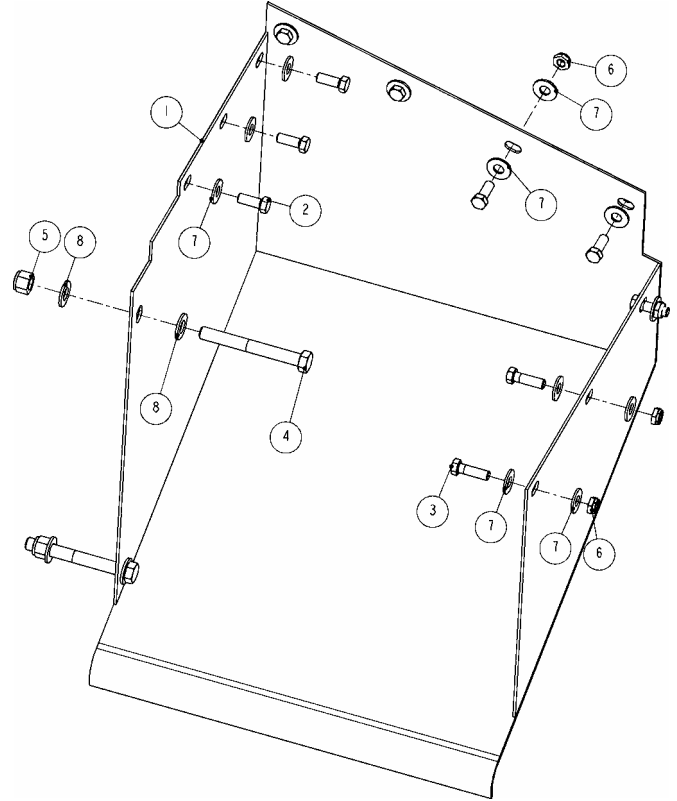
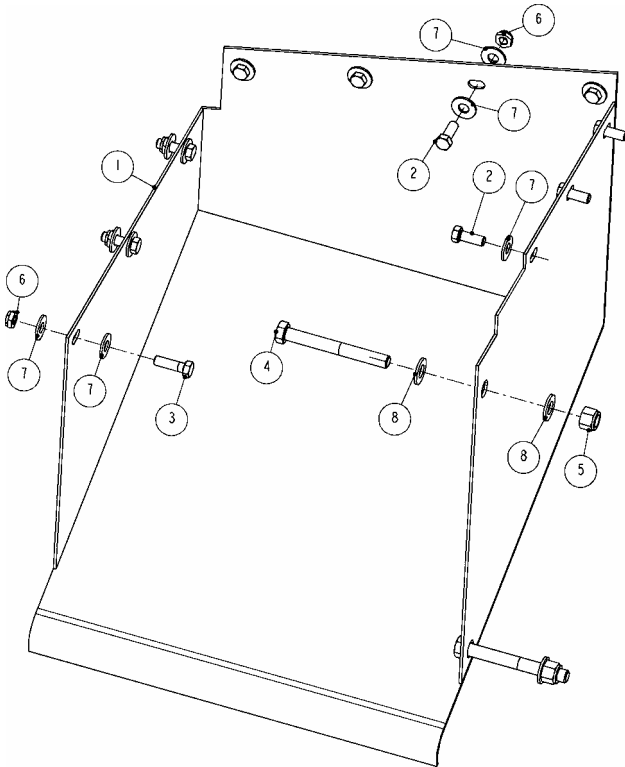


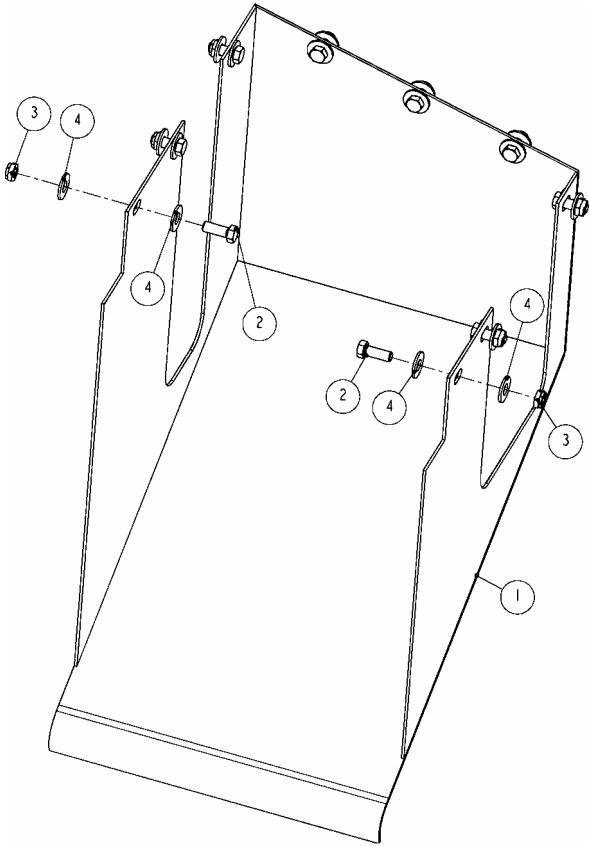
Figure 19 6650750: HEAD CHUTE – LEFT SIDE



6650970: HEAD CHUTE ASSEMBLY - RIGHT SIDE			
ITEM	PART #	DESCRIPTION	QTY
1	6650980	HEAD CHUTE WELD - RIGHT SIDE	1
2	8415080	SCREW	7
3	8415100	SCREW	3
4	8418280	SCREW	2
5	8504170	NUT	2
6	8504870	NUT	7
7	8505160	WASHER	17
8	8505180	WASHER	4

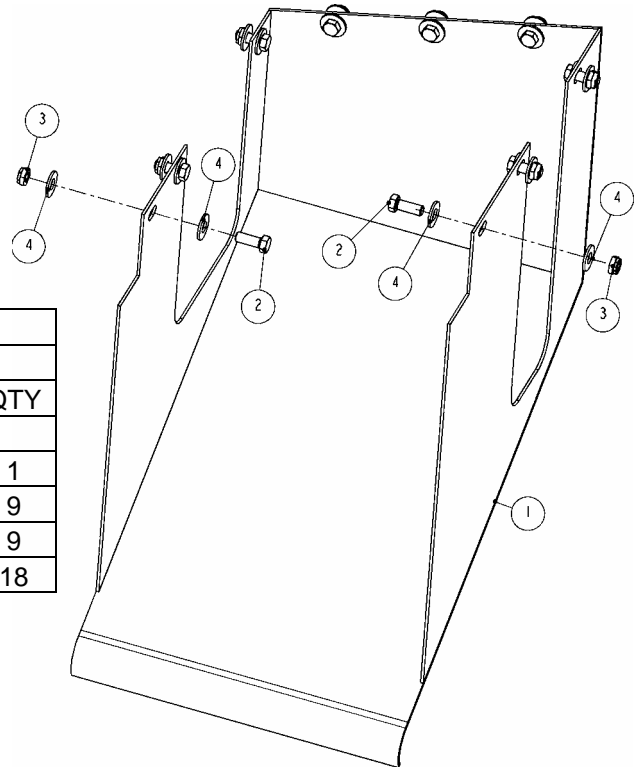
Figure 20 6650970: HEAD CHUTE – RIGHT SIDE

SNOUT CHUTE



6651630: SNOUT CHUTE ASSEMBLY - LEFT SIDE			
ITEM	PART #	DESCRIPTION	QTY
1	6651640	SNOUT CHUTE WELD - LEFT SIDE	1
2	8415080	SCREW	9
3	8504870	NUT	9
4	8505160	WASHER	18

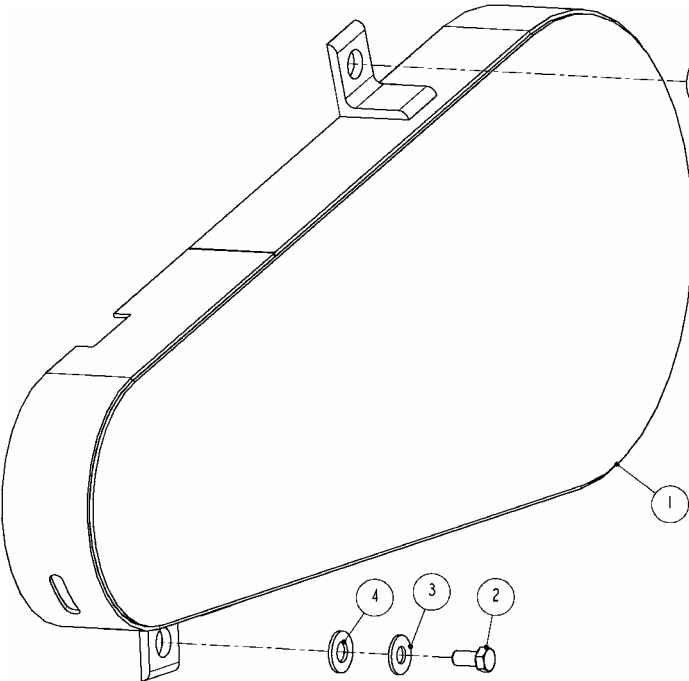
Figure 21 6651630: SNOUT CHUTE – LEFT SIDE



6651690: SNOUT CHUTE ASSEMBLY -RIGHT SIDE			
ITEM	PART #	DESCRIPTION	QTY
1	6651700	SNOUT CHUTE WELD - RIGHT SIDE	1
2	8415080	SCREW	9
3	8504870	NUT	9
4	8505160	WASHER	18

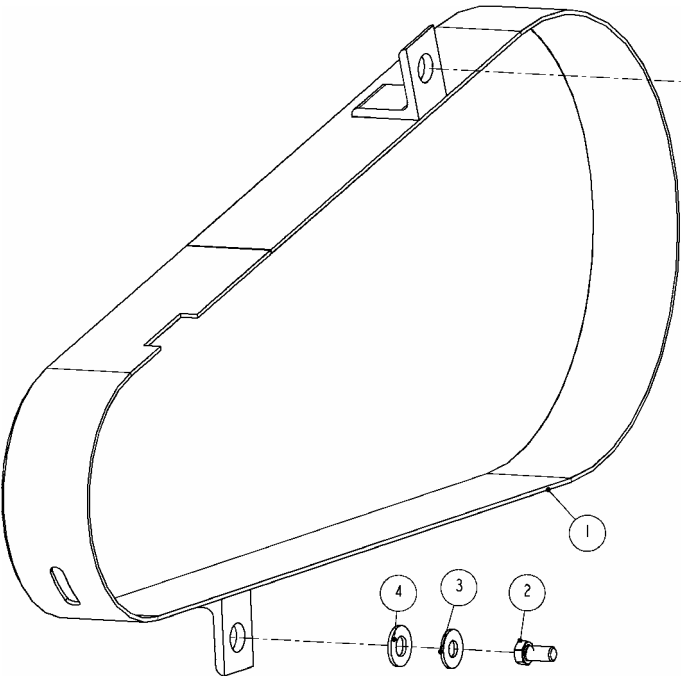
Figure 22 6651690: SNOUT CHUTE – RIGHT SIDE

DRIVE CHAIN COVER



6650810: COVER SET, DRIVE CHAIN - RIGHT			
ITEM	PART #	DESCRIPTION	QTY
1	6650820	DRIVE CHAIN COVER - RIGHT	1
2	8415060	SCREW	2
3	8505160	WASHER	2
4	8505180	WASHER	2

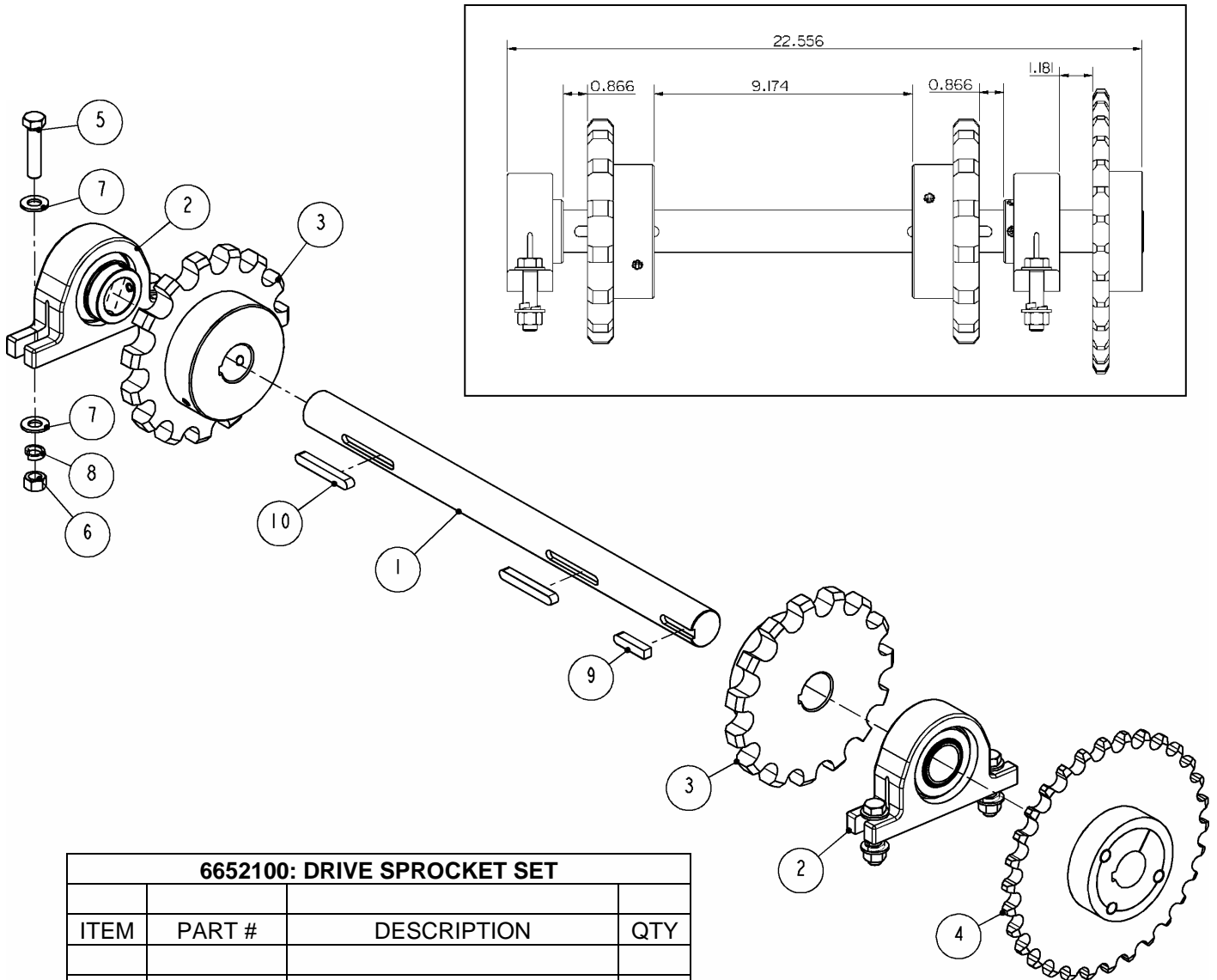
Figure 23 6650810: DRIVE CHAIN COVER – RIGHT SIDE



6650990: COVER SET, DRIVE CHAIN - LEFT			
ITEM	PART #	DESCRIPTION	QTY
1	6650410	DRIVE CHAIN COVER - LEFT	1
2	8415060	SCREW	2
3	8505160	WASHER	2
4	8505180	WASHER	2

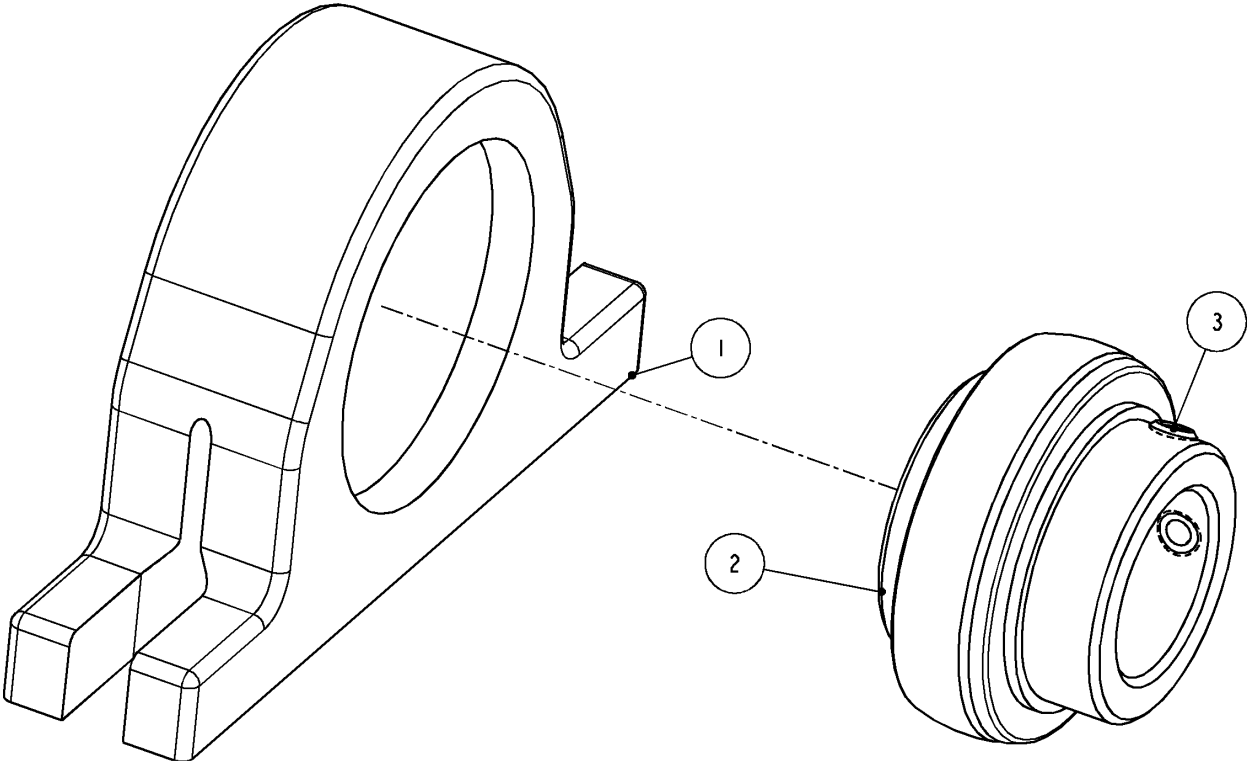
Figure 24 6650990: DRIVE CHAIN COVER – LEFT SIDE

DRIVE SPROCKET SET



6652100: DRIVE SPROCKET SET			
ITEM	PART #	DESCRIPTION	QTY
1	6652110	DRIVE SHAFT	1
2	7400299	MOUNTED PILLOW BLOCK	2
3	7400160	SPROCKET	2
4	7400225	SPROCKET - DRIVEN	1
5	8418180	SCREW	4
6	8500200	NUT	4
7	8505180	WASHER	8
8	8506680	WASHER	4
9	8607070	KEY	1
10	8607120	KEY	2

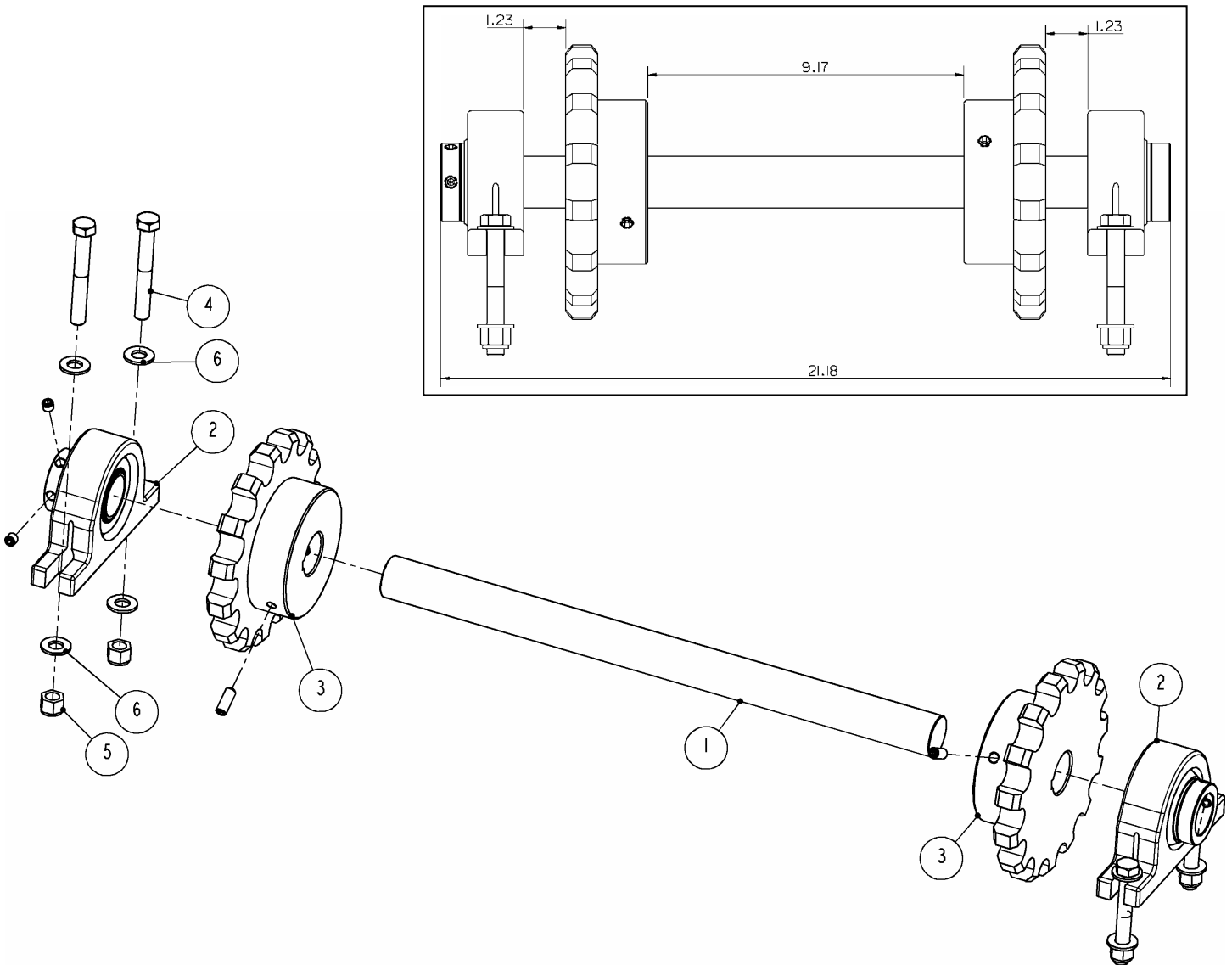
Figure 25 6652100: DRIVE SPROCKET SET



7400299: MOUNTED PILLOW BLOCK w/BALL BEARING			
ITEM #	PART	DESCRIPTION	QTY
1	7400221	PILLOW BLOCK	1
2	7400300	BALL BEARING	1
3	8316030	SET SCREW	2

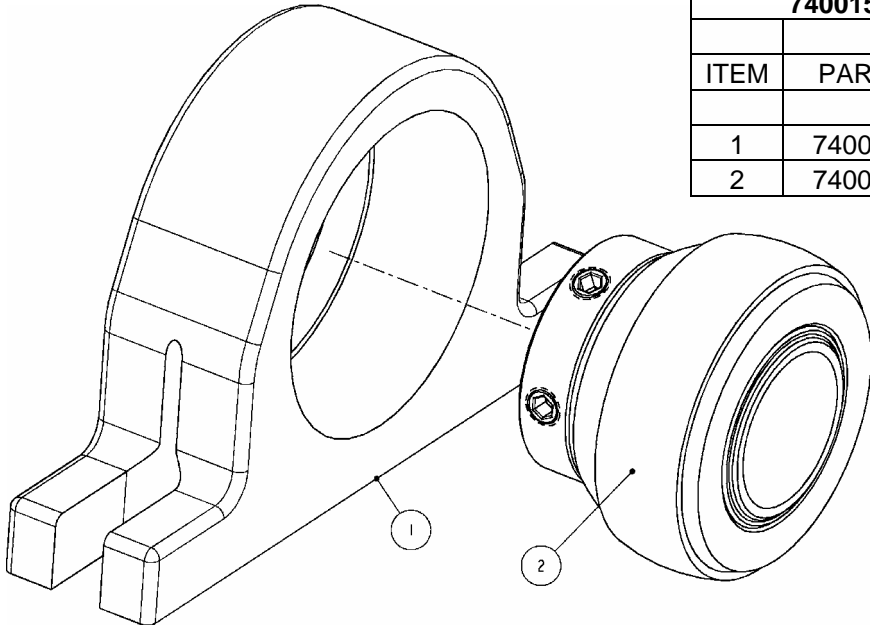
Figure 26 7400299: MOUNTED PILLOW BLOCK w/BALL BEARING

IDLER SPROCKET SET



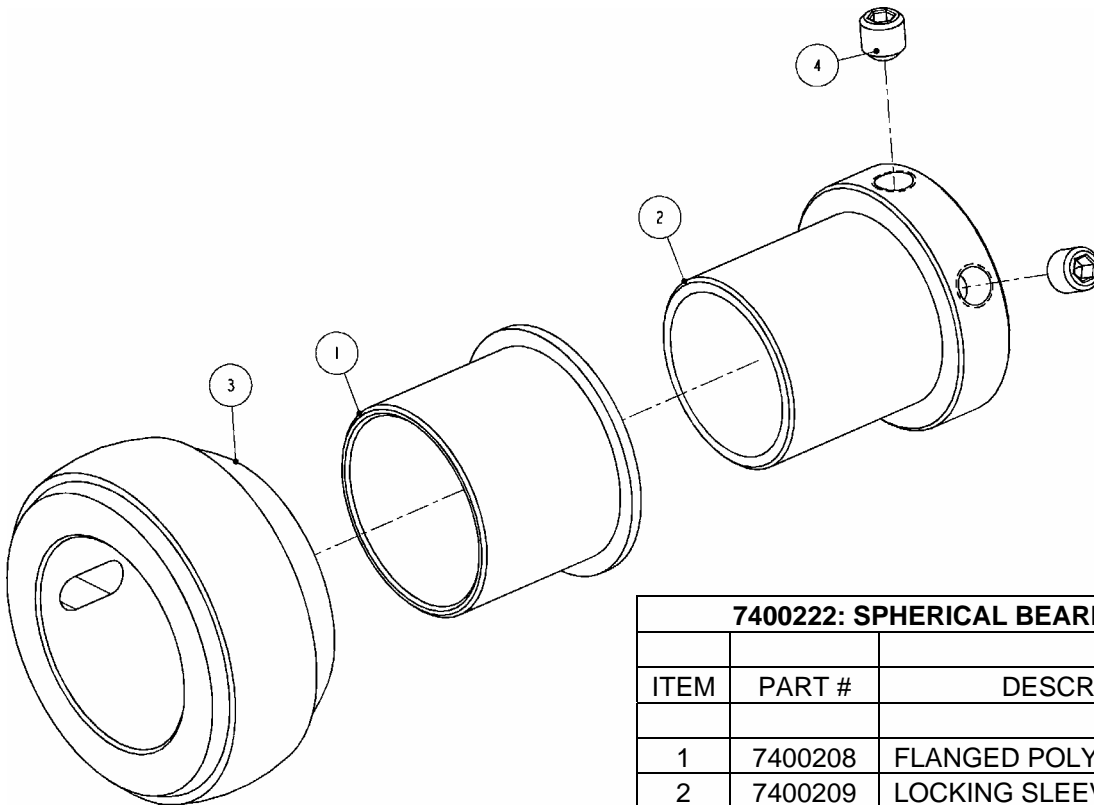
6652000: IDLER SPROCKET SET			
ITEM	PART #	DESCRIPTION	QTY
1	6652010	SHAFT	1
2	7400159	MOUNTED PILLOW BLOCK	2
3	7400160	SPROCKET	2
4	8418260	SCREW	4
5	8504170	NUT	4
6	8505180	WASHER	8

Figure 27 6652000: IDLER SPROCKET SET



7400159: MOUNTED PILLOW BLOCK			
ITEM	PART #	DESCRIPTION	QTY
1	7400221	PILLOW BLOCK	1
2	7400222	SPHERICAL BEARING	1

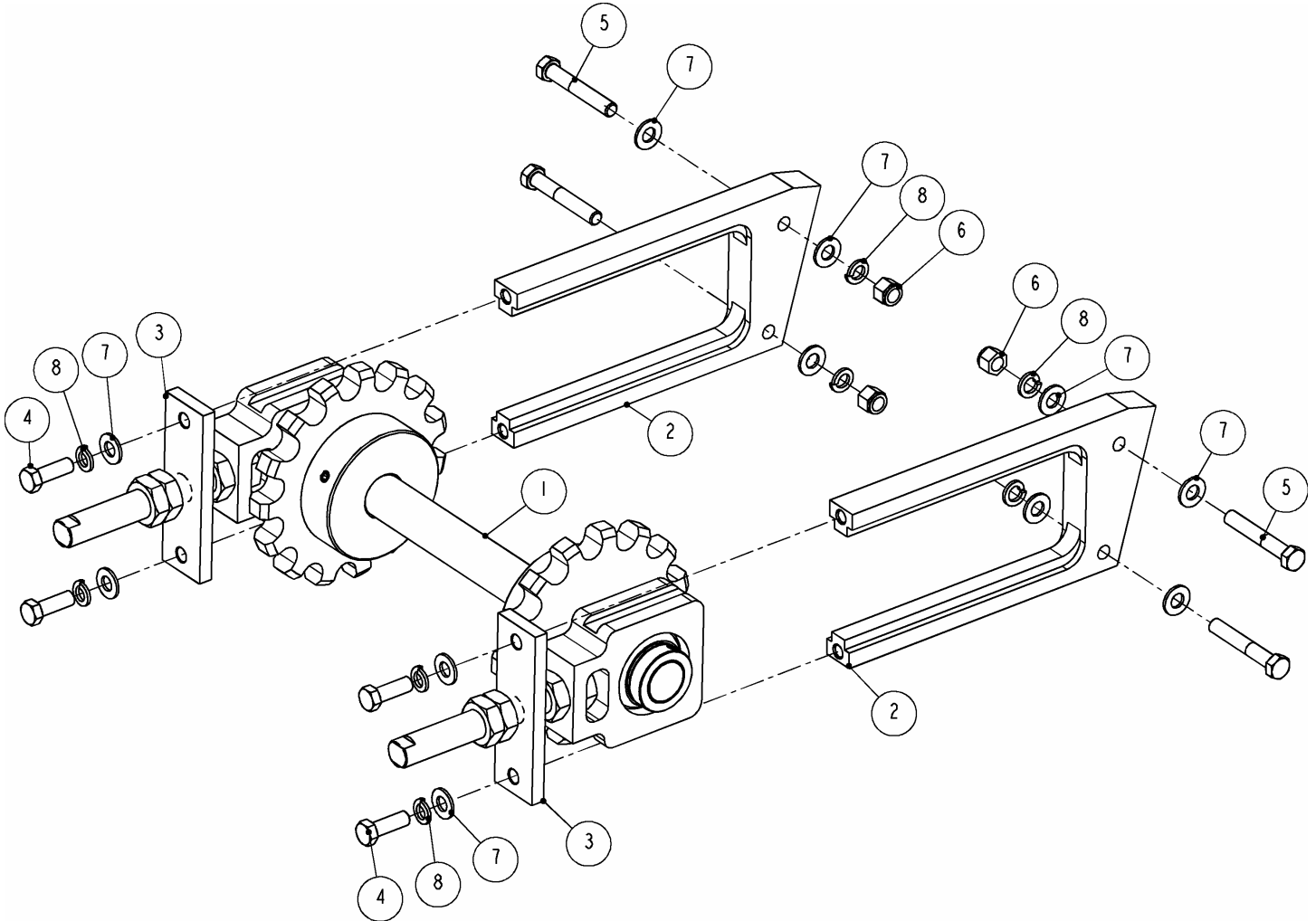
Figure 28 7400159: MOUNTED PILLOW BLOCK



7400222: SPHERICAL BEARING ASSEMBLY			
ITEM	PART #	DESCRIPTION	QTY
1	7400208	FLANGED POLYMER BEARING	1
2	7400209	LOCKING SLEEVE	1
3	7400223	SPHERICAL INSERT	1
4	8316030	SET SCREW	2

Figure 29 7400222: SPHERICAL BEARING

TAKE UP SPROCKET SET



6652210: TAKE UP SET WITH SLIDES			
ITEM	PART #	DESCRIPTION	QTY
1	6652200	TAKE-UP SET	1
2	6652230	TAKE UP SLIDE	2
3	6652240	COVER PLATE	2
4	8418120	SCREW	4
5	8418240	SCREW	4
6	8504170	NUT	4
7	8505180	WASHER	12
8	8506180	WASHER	8

Figure 30 6652210: TAKE UP SET WITH SLIDES

6652200: TAKE-UP SET			
ITEM	PART #	DESCRIPTION	QTY
1	6652010	SHAFT	1
2	6652220	ADJUSTMENT BAR	2
3	7400158	TAKE-UP BEARING	2
4	7400160	SPROCKET	2
5	8500600	NUT	8

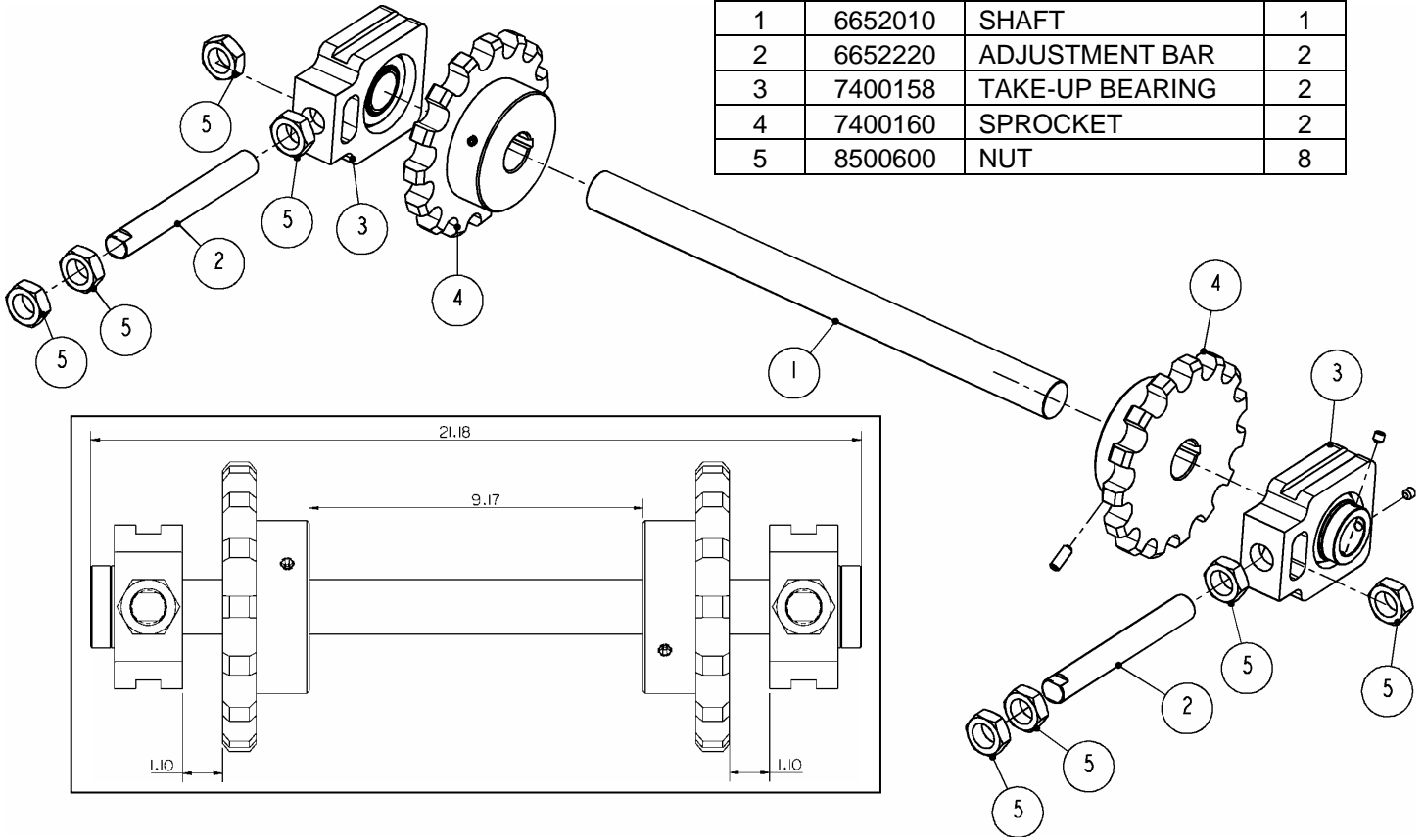
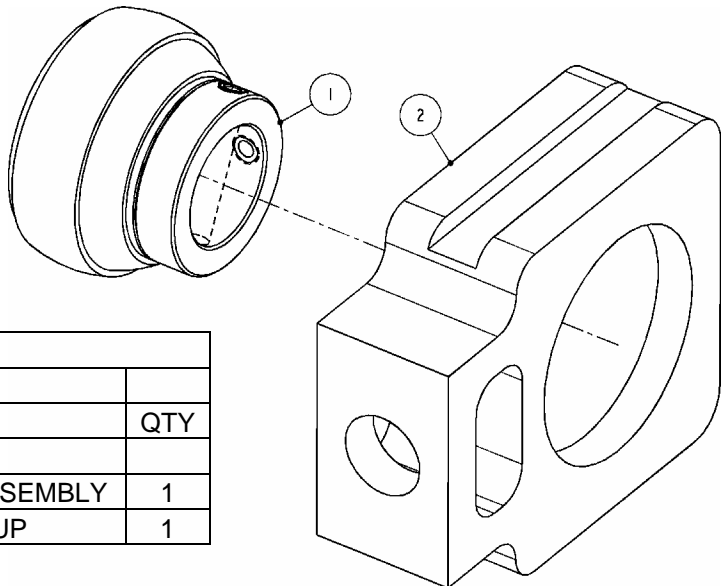


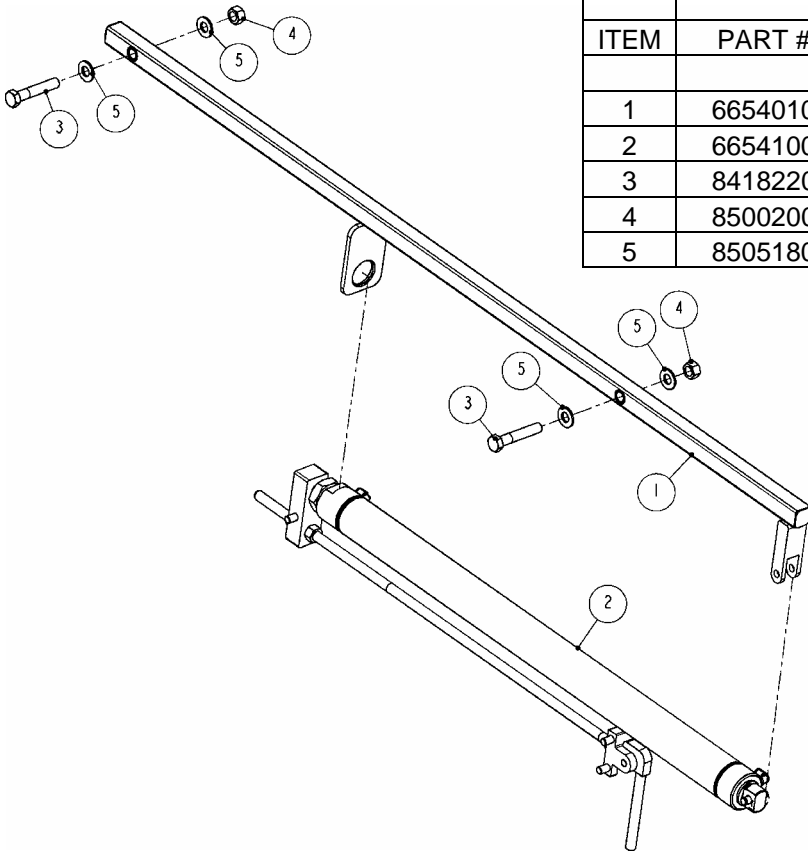
Figure 31 6652200: TAKE UP SET



7400158: TAKE-UP BEARING			
ITEM	PART #	DESCRIPTION	QTY
1	7400222	SPHERICAL BEARING ASSEMBLY	1
2	7400224	WIDE SLOT TAKE-UP	1

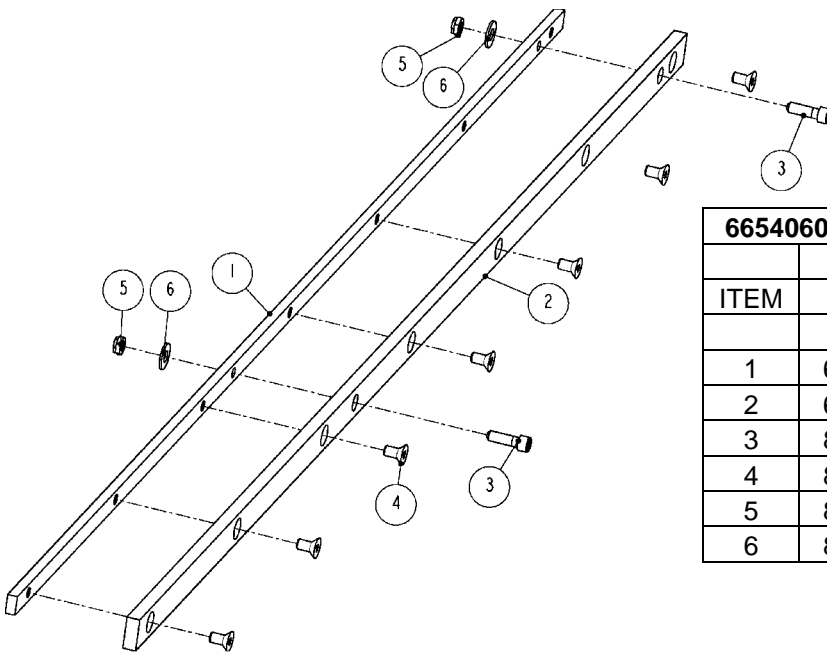
Figure 32 7400158: TAKE UP BEARING

JAW BONE TAKEUP



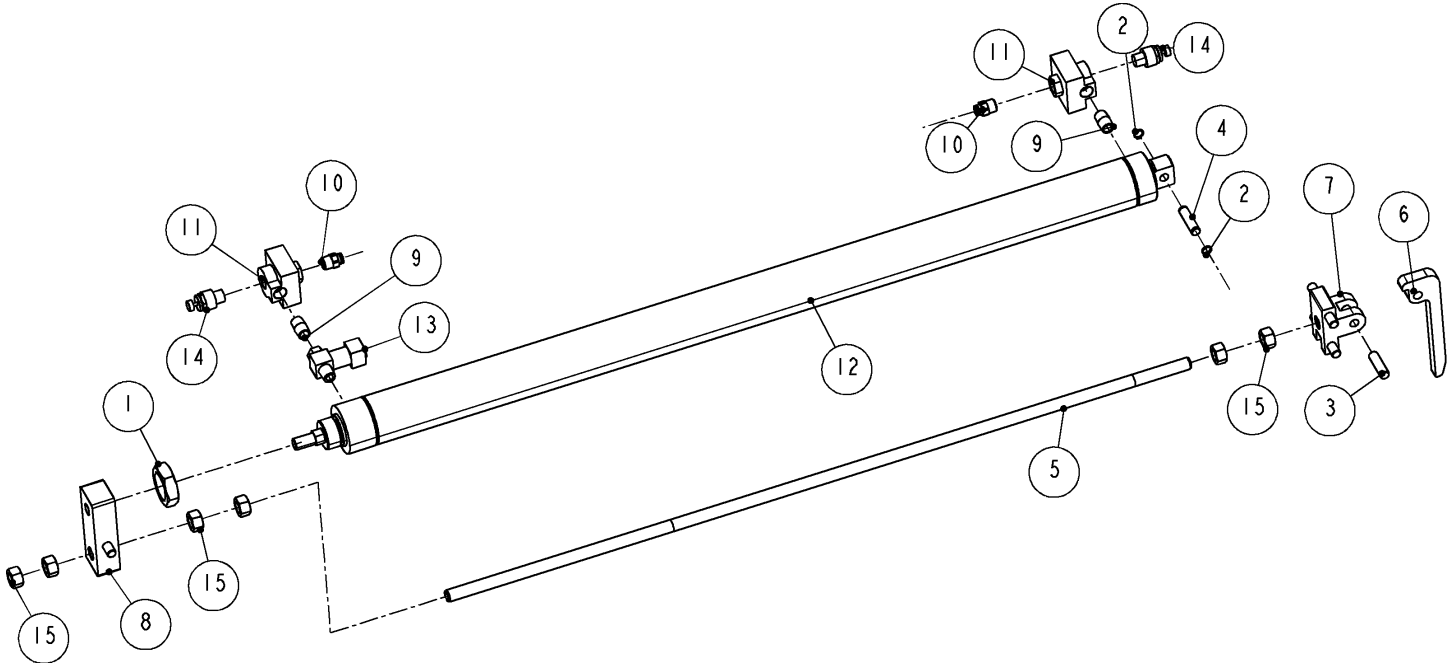
6654000: JAW BONE CYLINDER w/BRACKET			
ITEM	PART #	DESCRIPTION	QTY
1	6654010	BRACKET, JAW BONE CYLINDER	1
2	6654100	JAW BONE CYLINDER w/CLEVIS	1
3	8418220	SCREW	2
4	8500200	NUT	2
5	8505180	WASHER	4

Figure 33 6654000: JAW BONE CYLINDER w/BRACKET



6654060: SLIDE ASSEMBLY, JAW BONE CYL.			
ITEM	PART #	DESCRIPTION	QTY
1	6654070	SUPPORT BAR	1
2	6654080	SLIDE BAR	1
3	8215100	SCREW	2
4	8245060	SCREW	7
5	8504870	NUT	2
6	8505160	WASHER	2

Figure 34 6654060: SLIDE ASS'Y, JAW BONE CYLINDER



6654100: JAW BONE CYLINDER w/CLEVIS			
ITEM	PART #	DESCRIPTION	QTY
1	1704330	NUT, ADJUSTING SCREW	1
2	5100370	RETAINING RING	2
3	6654110	PIN, CLEVIS	1
4	6654120	PIN	1
5	6654130	ADJUSTMENT BAR	1
6	6654140	HOOK	1
7	6654160	CLAVIS	1
8	6654200	LINK	1
9	7003460	CLOSE NIPPLE	2
10	7036080	FITTING	2
11	7400190	QUICK EXHAUST VALVE	2
12	7400258	AIR CYLINDER	1
13	7400259	PNEUMATIC SENSOR	1
14	7400262	ADJUSTABLE EXHAUST MUFFLER	2
15	8500210	NUT	6

Figure 35 6654100: JAW BONE CYLINDER w/CLEVIS

CONVEYOR CHAIN AND HEAD PUSHERS

665510: CONVEYOR CHAIN w/PUSHERS			
ITEM	PART #	DESCRIPTION	QTY
1	6655000	PUSHER BLOCK	6
2	6655500	CONVEYOR CHAIN SET	1
3	8214120	SCREW	24
4	8506650	WASHER	24

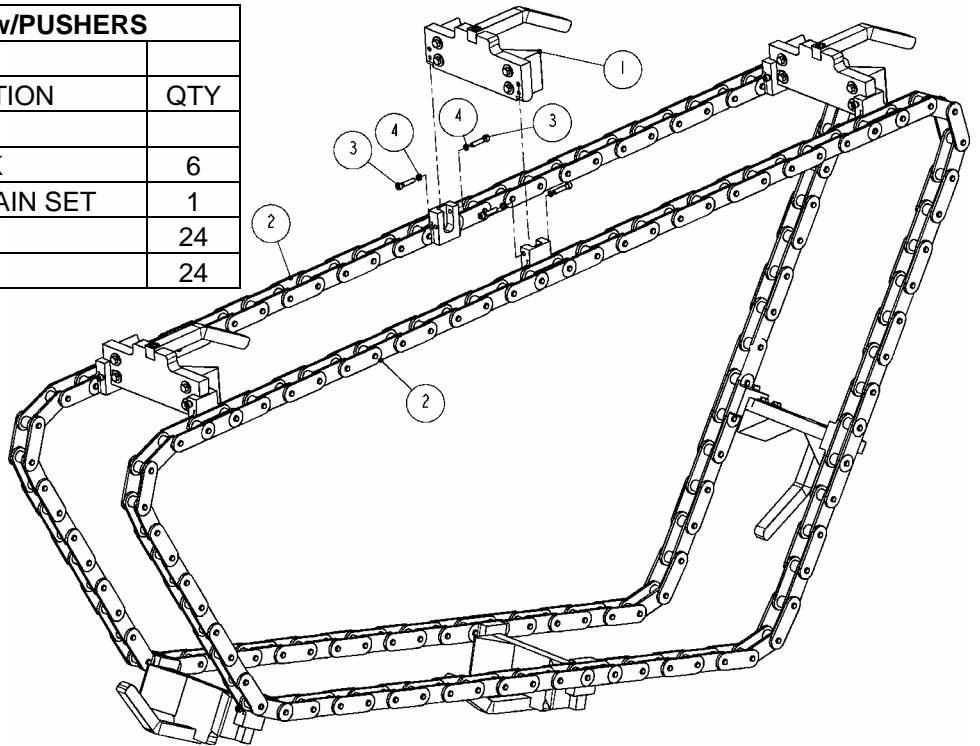
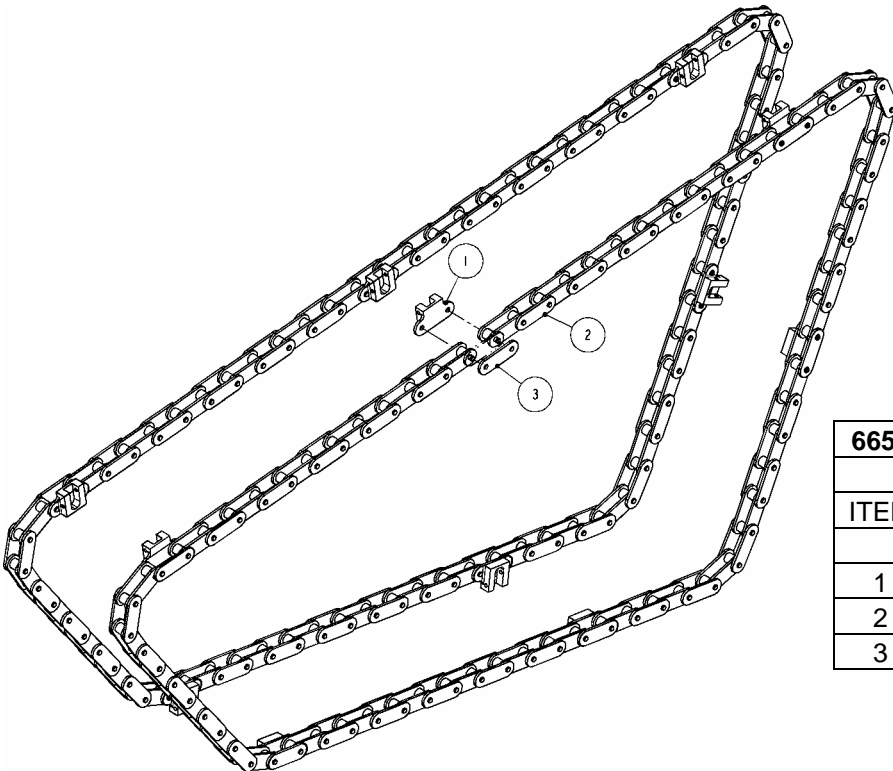
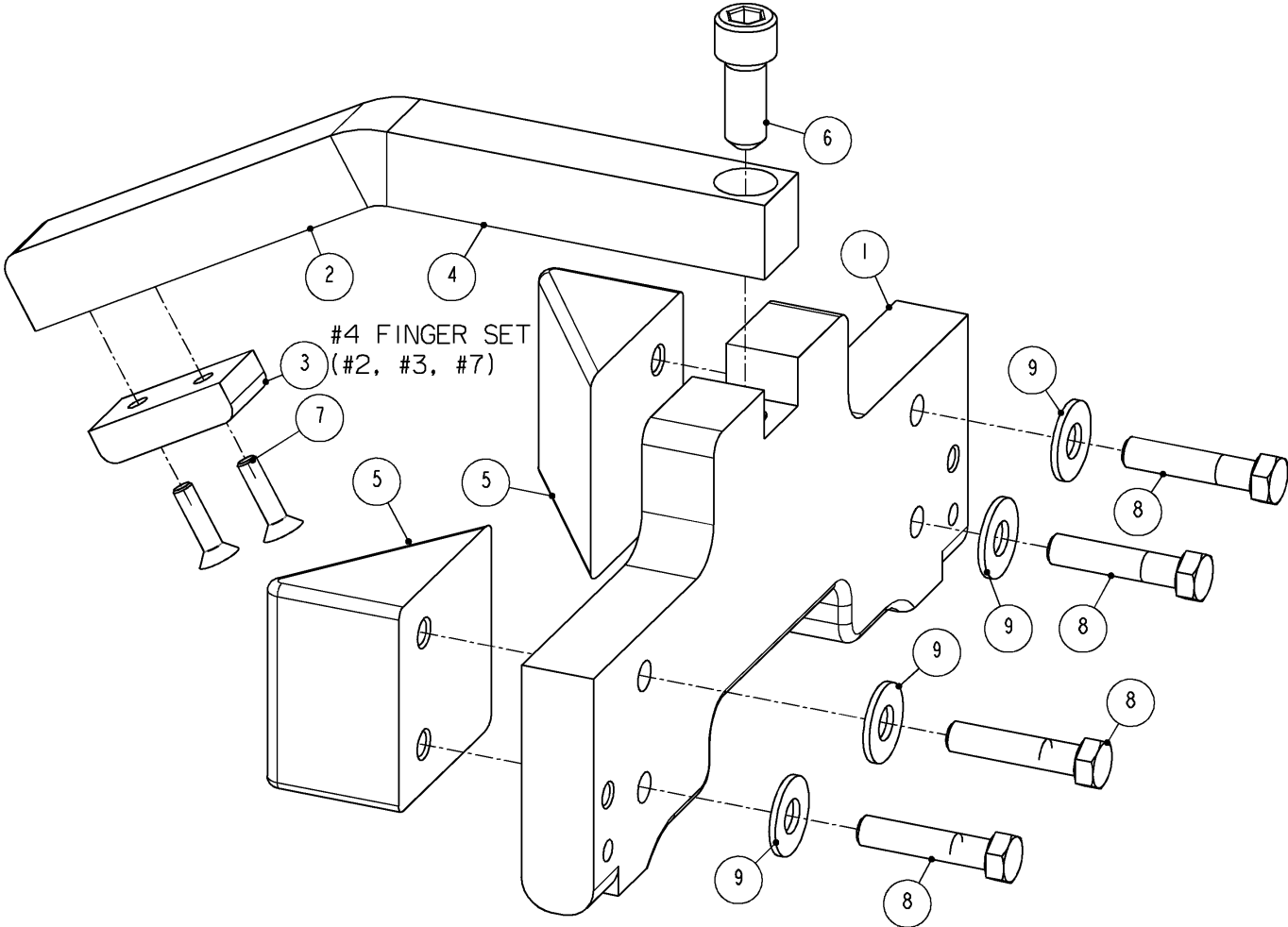


Figure 36 665510: CONVEYOR CHAIN w/PUSHERS



665500: CONVEYOR CHAIN COMPLETE KIT			
ITEM	PART #	DESCRIPTION	QTY
1	6655400	LINK, PUSHER	12
2	7400156	CONVEYOR CHAIN	2
3	7400157	CHAIN LINK	12

Figure 37 665500: CONVEYOR CHAIN KIT



6655000: PUSHER BLOCK			
ITEM	PART #	DESCRIPTION	QTY
1	6655100	PUSHER	1
2	6655200	FINGER	1
3	6655210	FINGER TIP	1
4	6655220	FINGER SET	1
5	6655300	PUSHER WEDGE	2
6	8219100	SCREW	1
7	8241080	SCREW	2
8	8415140	SCREW	4
9	8505160	WASHER	4

Figure 38 6655000: PUSHER BLOCK

CONVEYOR AND DRIVE CHAIN ADJUSTMENT

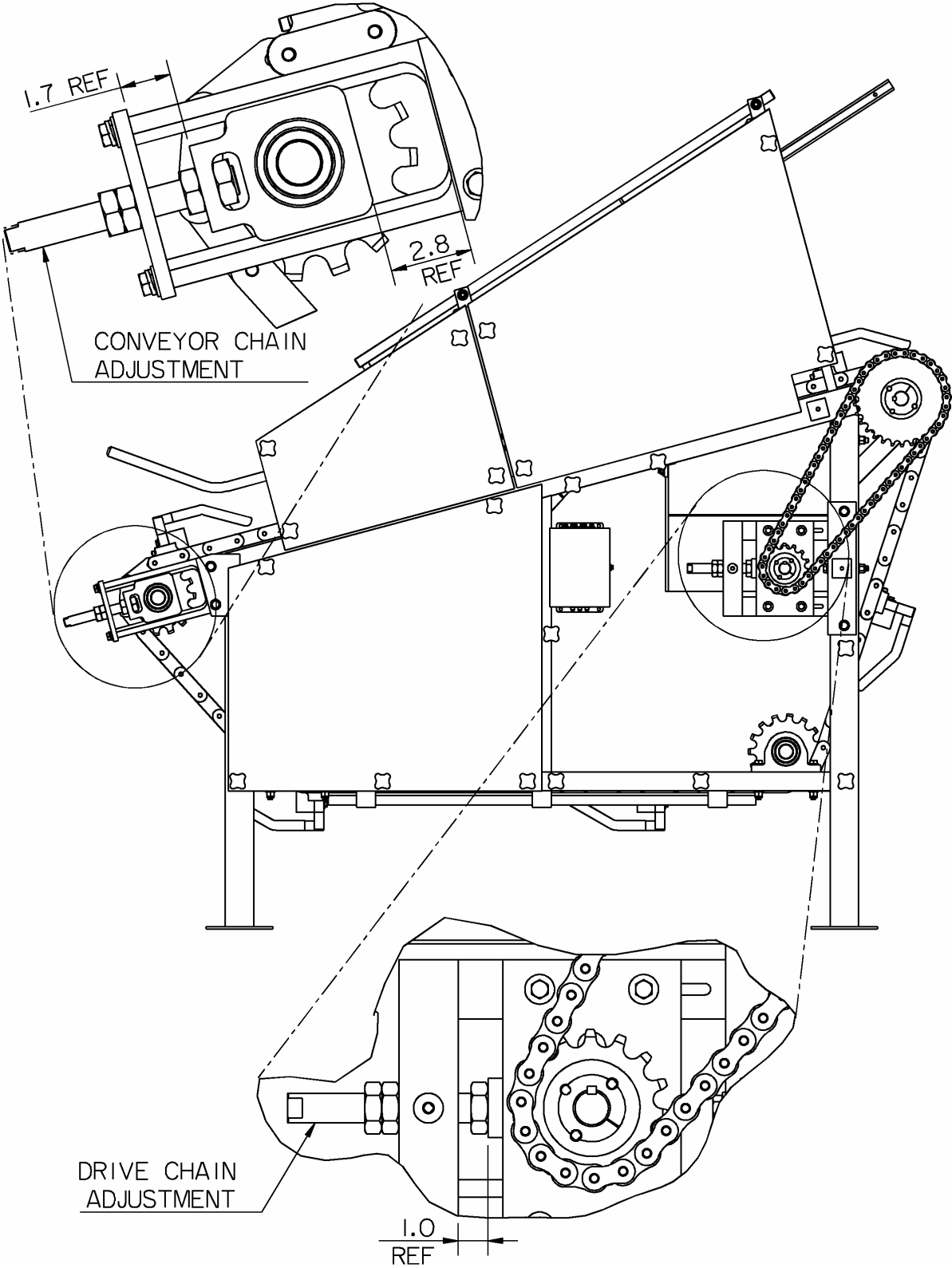
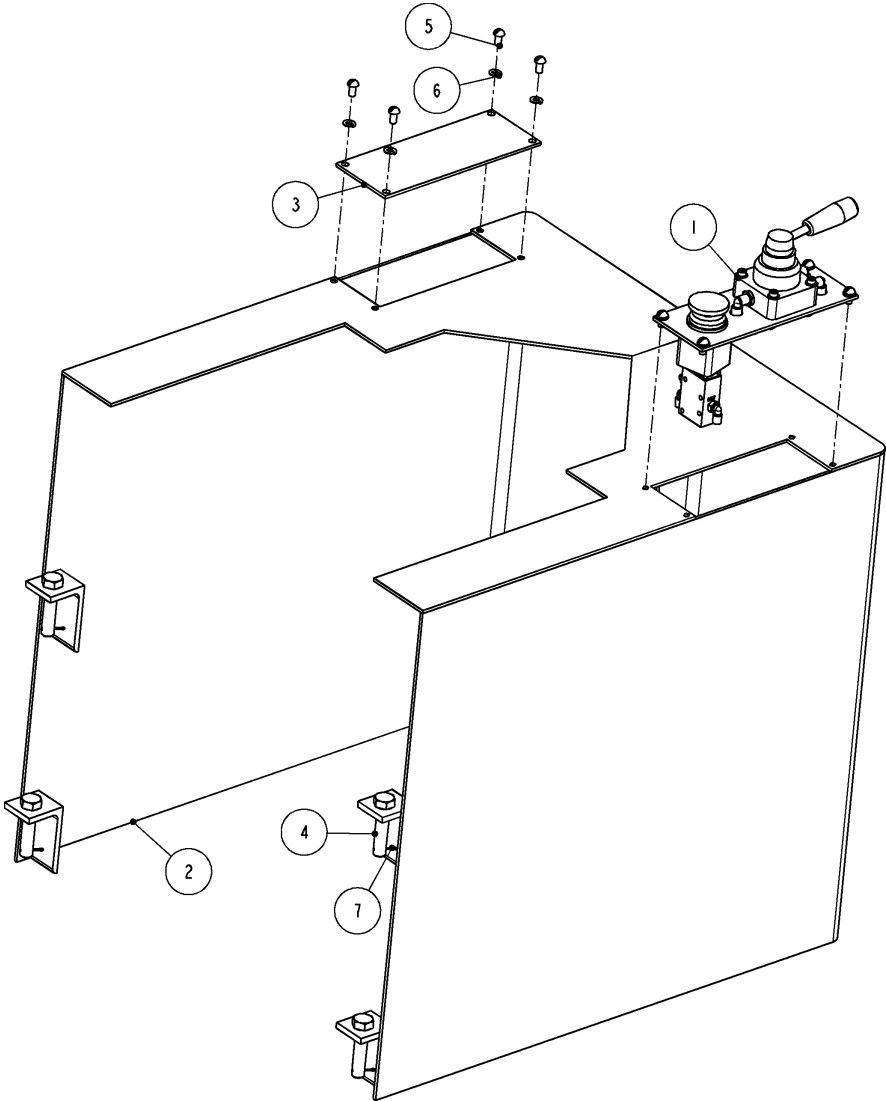


Figure 39 DRIVE AND CONVEYOR CHAIN ADJUSTMENT

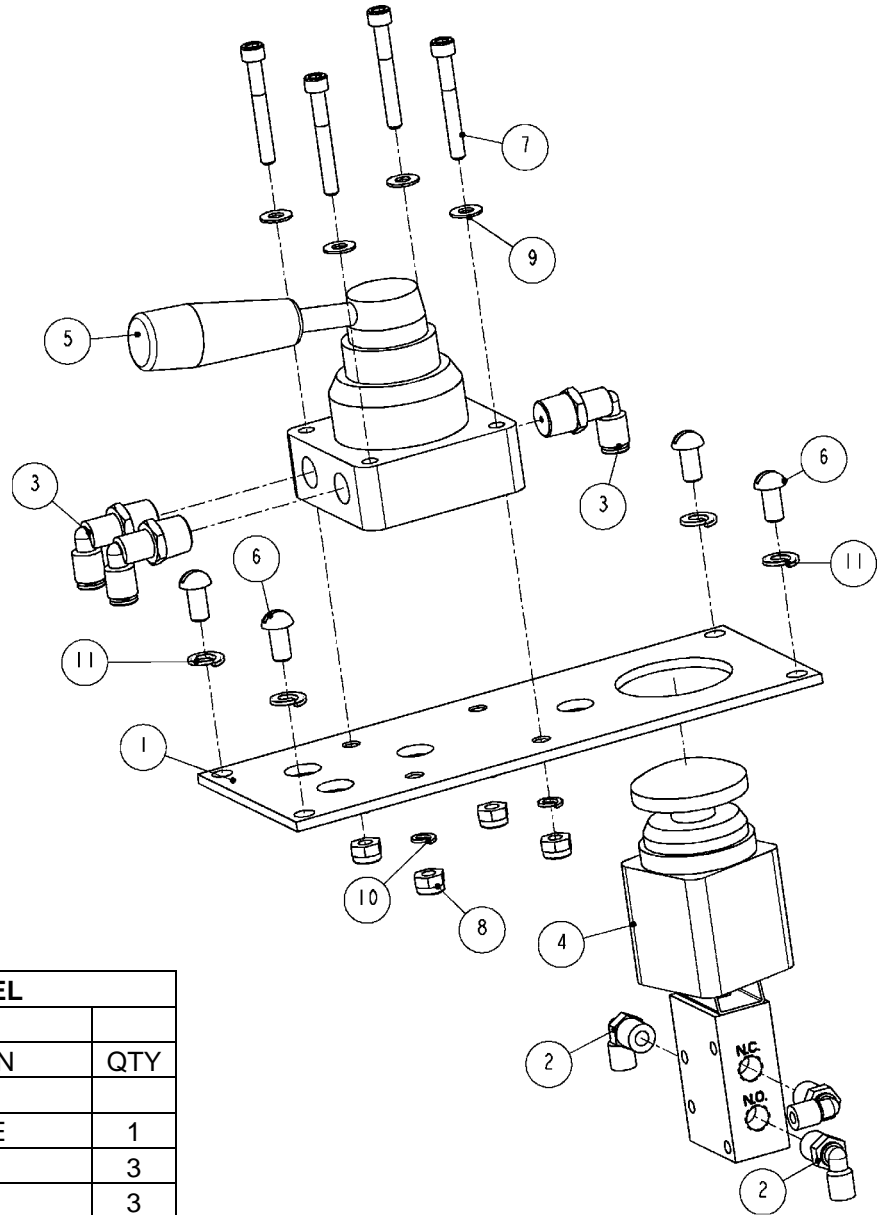
COVERS

FRONT COVER WITH CONTROLS



6652560: FRONT COVER ASSEMBLY			
ITEM	PART #	DESCRIPTION	QTY
1	6652570	CONTROL PANEL	1
2	6652580	COVER FRAME	1
3	6652630	COVER	1
4	6652640	SCREW	4
5	8031040	SCREW	4
6	8506100	WASHER	4
7	8631140	COTTER PIN	4

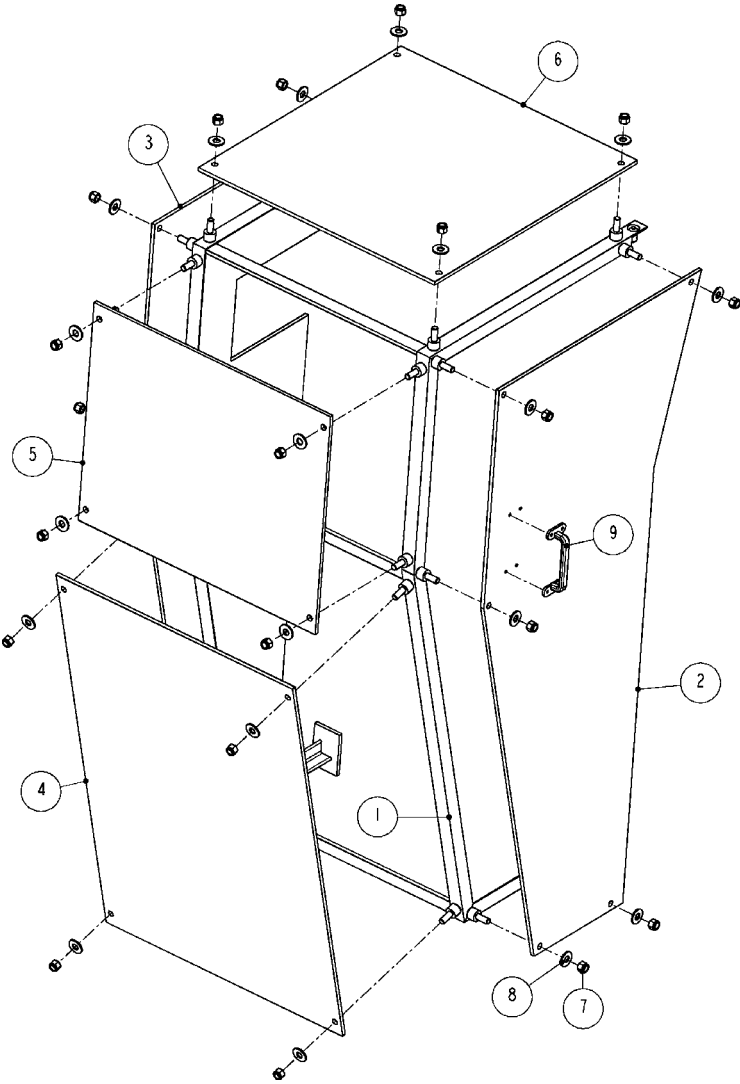
Figure 40 6652560: FRONT COVER WITH CONTROLS



6652570: CONTROL PANEL			
ITEM	PART #	DESCRIPTION	QTY
1	6652620	MOUNTING PLATE	1
2	7036350	ELBOW	3
3	7036380	ELBOW	3
4	7400266	EMERGENCY STOP	1
5	7400269	AIR VALVE	1
6	8031040	SCREW	4
7	8209120	SCREW	4
8	8504090	NUT	4
9	8505090	WASHER	4
10	8506090	WASHER	4
11	8506100	WASHER	4

Figure 41 6652570: CONTROL PANEL

REAR COVER



6652310: REAR COVER ASSEMBLY			
ITEM	PART #	DESCRIPTION	QTY
1	6652320	FRAME	1
2	6652340	REAR COVER GLASS - RIGHT	1
3	6652480	REAR COVER GLASS -LEFT	1
4	6652490	REAR COVER GLASS -FRONT BOTTOM	1
5	6652500	REAR COVER GLASS -FRONT TOP	1
6	6652510	REAR COVER GLASS - TOP	1
7	8504150	NUT	22
8	8505160	WASHER	22
9	8897020	PULL HANDLE	2

Figure 42 6652310: REAR COVER

“JBT” HYDRAULIC DIAGRAMS

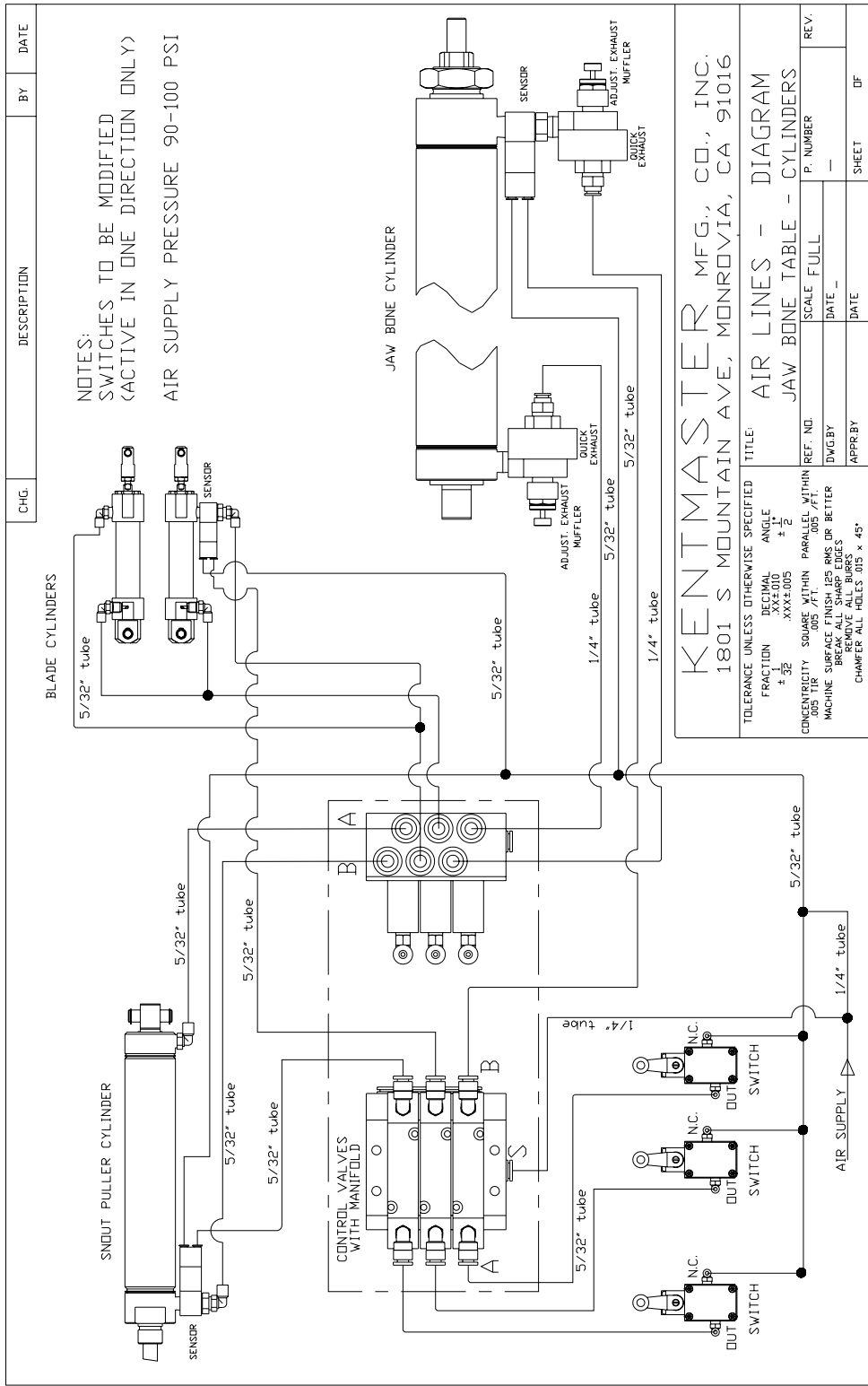


Figure 43 HYDRAULIC DIAGRAMS – CYLINDERS

KENTMASTER MFG. CO., INC. 1801 S MOUNTAIN AVE, MONROVIA, CA 91016			
TITLE: AIR LINES - DIAGRAM JAW BONE TABLE - CYLINDERS			
TOLERANCE UNLESS OTHERWISE SPECIFIED FRACTION $\pm \frac{1}{32}$ DECIMAL $\pm .005$ ANGLE $\pm \frac{1}{2}$ CONCENTRICITY $\pm .005$ WITHIN .005 TIR SQUARE SURFACE $\pm .005$ RMS OR BETTER MACHINE SURFACE $\pm .001$ RMS OR BETTER REMOVE ALL SHARP EDGES CHAMFER ALL HOLES .015 x 45°	REF. NO. _____ DWG BY _____ APPR. BY _____ SCALE FULL DATE _____ P. NUMBER _____ REV. _____		
CHG.	DESCRIPTION	BY	DATE

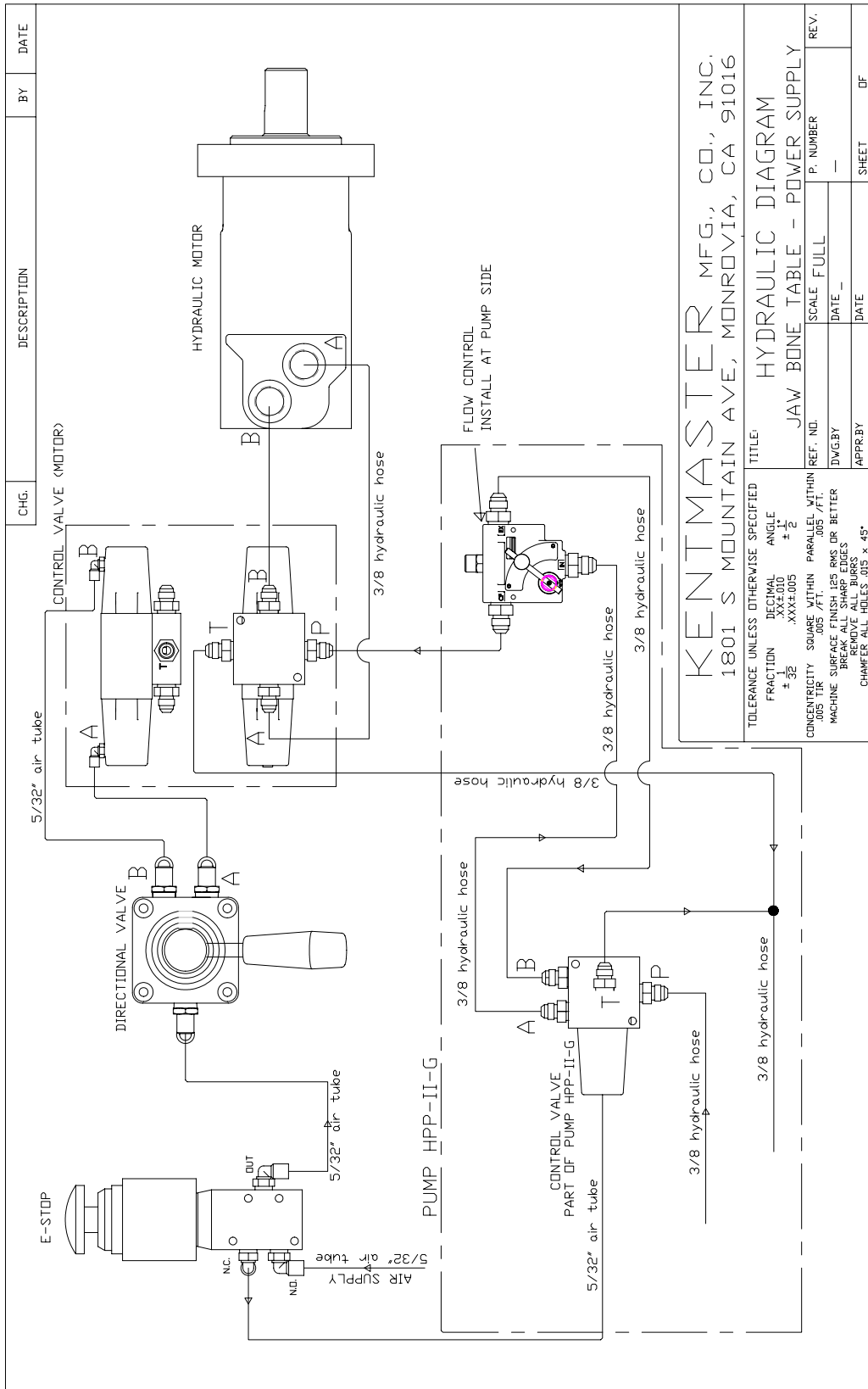


Figure 44 HYDRAULIC DIAGRAM – POWER SUPPLY

KENTMASTER MFG., CO., INC.
 1801 S MOUNTAIN AVE, MONROVIA, CA 91016

TOLERANCE UNLESS OTHERWISE SPECIFIED	TITLE:
FRACTION ± 3/32	HYDRAULIC DIAGRAM
DECIMAL .005	JAW BONE TABLE – POWER SUPPLY
ANGLE ± 1/2	SCALE FULL
CONCENTRICITY .005 TYP.	DATE
SQUARE WITHIN .005 TYP.	APPROBY
PARALLEL WITHIN .005 TYP.	REF. NO.
RMS OR BETTER	P. NUMBER
BREAK ALL SHARP EDGES	DATE
REMOVE ALL BURRS	SHEET
CHAMFER ALL HOLES .015 x 45°	DF

AIR VALVES SET w/ENCLOSURE

6650940: AIR VALVES SET w/ENCLOSURE			
ITEM	PART #	DESCRIPTION	QTY
1	6650950	AIR VALVES ENCLOSURE	1
2	6650960	MOUNTING PANEL	1
3	7036340	ELBOW	6
4	7038660	UNION	10
5	7038680	FITTING	3
6	7400169	MANIFOLD	1
7	7400268	VALVE	3
8	8418240	SCREW	2
9	8504170	NUT	2
10	8505180	WASHER	4

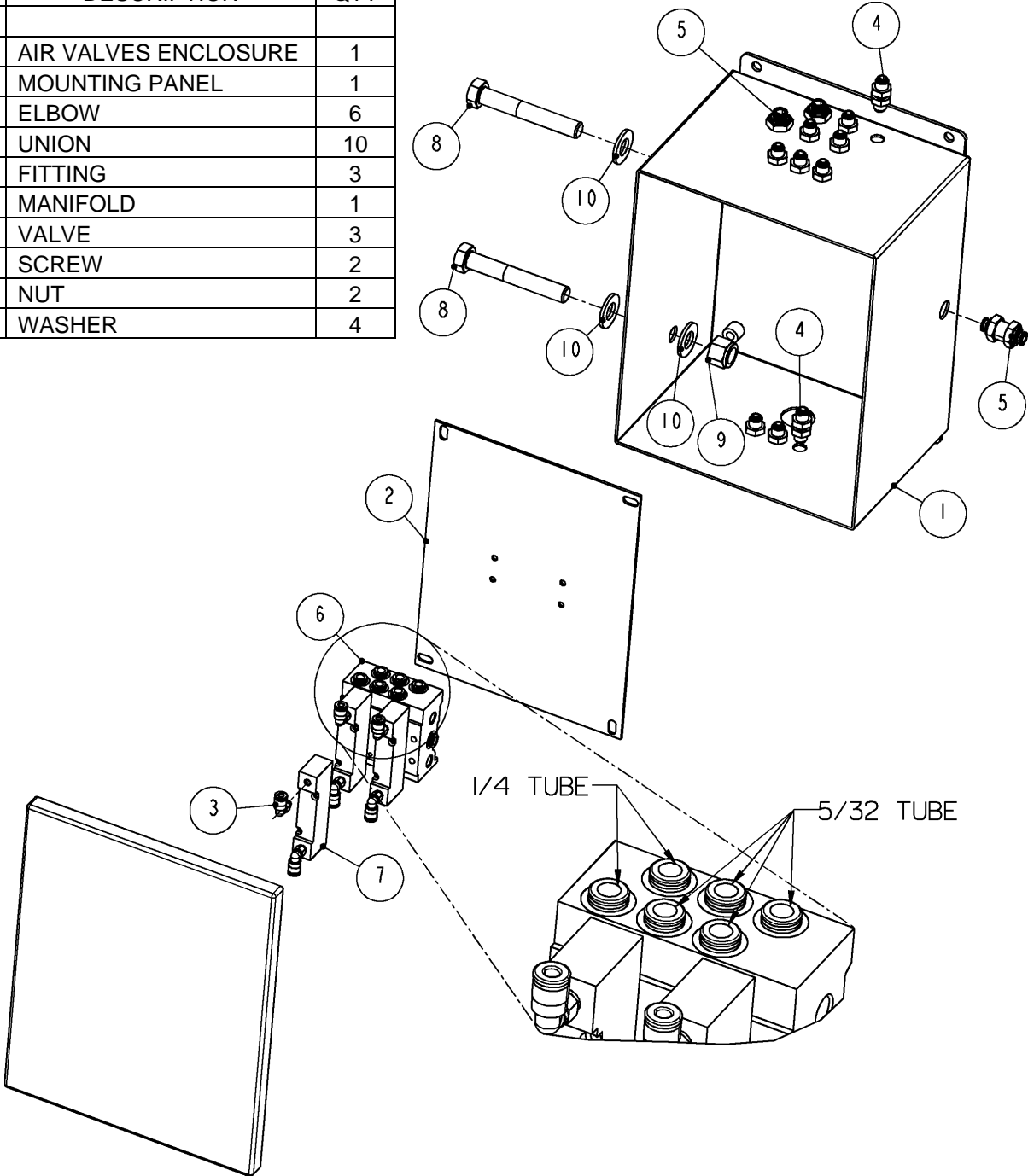


Figure 45 6650940: AIR VALVES SET w/ENCLOSURE

PILOT VALVE - MOTOR

6651710: PILOT VALVE ASS'Y - MOTOR			
ITEM	PART #	DESCRIPTION	QTY
1	7012140	CONNECTOR	4
2	7036350	ELBOW	2
3	7804791	SUBPLATE	1
4	7804860	PILOT VALVE	1
5	8209100	SCREW	4
6	8211100	SCREW	2
7	8504110	NUT	2
8	8506100	WASHER	2

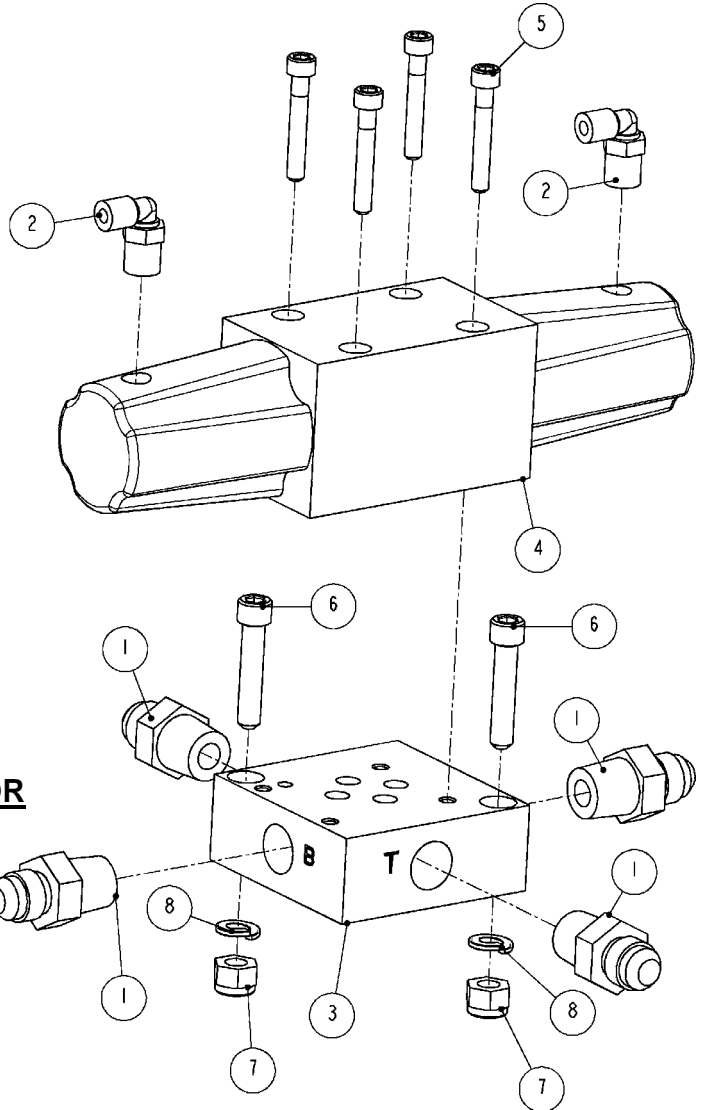
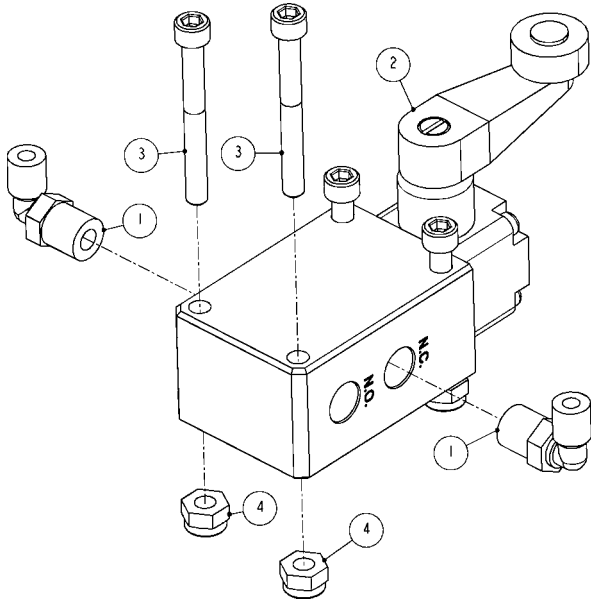


Figure 46 6651710:PILOT VALVE ASS'Y - MOTOR

LIMIT SWITCH

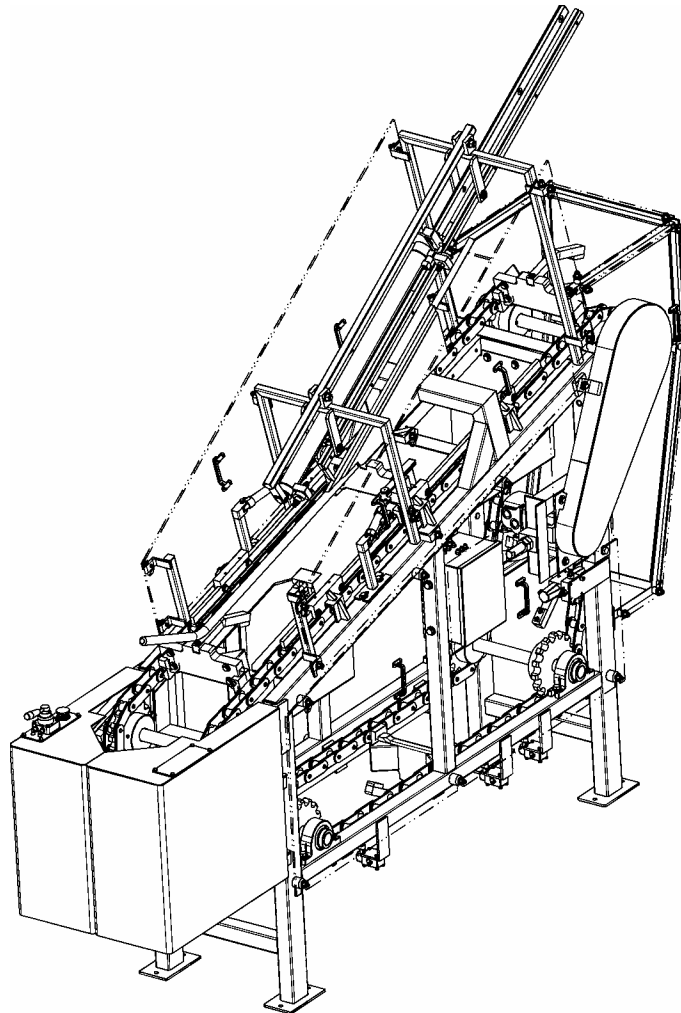


6652710: LIMIT SWITCH ASSEMBLY			
ITEM	PART #	DESCRIPTION	QTY
1	7036350	ELBOW	2
2	7400171	SWITCH, LIMIT	1
3	8208140	SCREW	4
4	8504090	NUT	4

Figure 47 6652710: LIMIT SWITCH

[ENGLISH]

GENERAL INFORMATION



MODEL
“JBT” PORK JAW BONE TABLE

SERVICE CENTERS

KENTMASTER LTD. (U.K)
16 AVONBANK INDUSTRIAL CENTRE
WEST TOWN ROAD
AVONMOUTH - BRISTOL BS11 9DE
UNITED KINGDOM

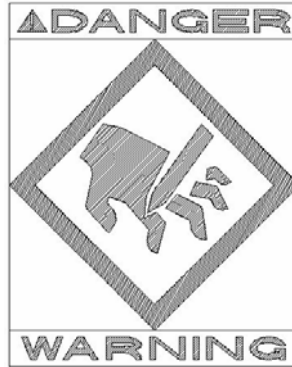
☎ **TELEPHONE: ++ 44- (0) 117- 9235035**
FAX: ++ 44- (0) 117- 9829010

KENTMASTER MFG. CO., INC.
1801 SOUTH MOUNTAIN AVE.
MONROVIA, CALIFORNIA 91016
UNITED STATES OF AMERICA

☎ **TELEPHONE: (626) 359-8888**
FAX: (626) 303-5151

NOTICE TO EMPLOYER AND PURCHASER OF TOOL
NOTICE TO SAFETY DIRECTOR

You have purchased a powerful tool that, if misused, can cause severe injury and harm to your employees. You must instruct your employees in the safe and proper use of this tool and to follow the safety procedures and instructions that have been supplied by the manufacturer of this tool. Please follow the following instructions.



1. Instruct tool operators to test the tool each day before using it to be sure it does not malfunction. Remove and repair any tool that malfunctions.
2. Instruct tool operators to immediately stop using a tool that malfunctions or is defective.
3. Instruct personnel to immediately remove all tools that malfunction. Be sure to disconnect tool from power supply.
4. Instruct all personnel to stay clear of tool, and not to stand or walk in front of, or next to tool when in use.
5. Point out to all personnel the dangers related to the misuse of tool and the importance of following safety procedures and instructions.
6. Do not make, or allow others to make, alterations or modifications to this tool. Replace all lost or illegible labels.
7. Follow all safety, installation and maintenance instructions provided with this tool. Establish proper safety procedures in accordance with local and national requirements to prevent accidental energizing of tool that can cause injuries.
8. If this tool is sold or change in ownership takes place, you must provide the new owner all safety instructions, notices and maintenance instructions you were originally provided. You can obtain additional copies of the instructions from Kentmaster, free of charge upon request.
9. Give copies of instructions to:
 - (A) Tool Operators
 - (B) Maintenance Supervisor
 - (C) Clean-up Supervisor

GENERAL INFORMATION


COVERING: SAFETY PRECAUTIONS AND PLACING INTO SERVICE


PORK JAW BONE TABLE


READ THIS MANUAL CAREFULLY BEFORE INSTALLING, OPERATING OR SERVICING THIS TOOL

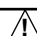
IT IS THE RESPONSIBILITY OF THE EMPLOYER TO PLACE THIS INFORMATION INTO THE HANDS OF THE OPERATOR.


PLACING INTO SERVICE

 **WARNING** = Hazards or unsafe practices which could result in severe personal injury, death or substantial property damage.

 **CAUTION** = Hazards or unsafe practices which could result in minor personal injury, product or property damage.

 **NOTICE** = Important installation, operation or maintenance information.

 **WARNING** Installation, adjustment repair and maintenance of this tool must be made by trained and qualified personnel.

 **WARNING** Always disconnect power supply from tool before:
(A) Installing or removing blade from tool.
(B) Making repairs or adjustments to the tool.
(C) performing maintenance or cleanup work.

DECLARATION OF CONFORMITY

DECLARATION OF CONFORMITY

DECLARATION DE CONFORMITE -DECLARACION DE CONFORMIDAD- ERKLARUNG BEZUGLICH EINHALTUNG DER VORSCHRIFTEN
DICHIARAZIONE DI CONFORMITA . CONFORMITEITSVERKLARING

MANUFACTURED BY:

FABRIQUE PAR:
FABRICADA POR:
HERGESTELLTVON:
FABBRICATO DA:
VERVAARDIGD DOOR:

KENTMASTER MFG CO., INC.
1801 SOUTH MOUNTAIN AVE.
MONROVIA, CALIFORNIA 91016
UNITED STATES OF AMERICA
TELEPHONE (626) 359-8888 FAX (626) 303-5151

TYPE / SERIES: PORK JAW BONE TABLE

TYPE / SERIE:
TIPO / SERIE:
TYP / SERIE:
TIPO / SERIE:
TYPE / SERIE:

MODEL: JBT

MODELE:
MODELO:
MODELL:
MODELLO:
MODEL:

SERIAL NO. RANGE: XXXXX

N SERIE: • GAMA DE No. DE SERIE: • SERIEN-NR.-BEREICH: • NUMERI DI SERIE: • SERIENUMMERS:

This product complies with the following European Community Directives:

Ce produit est conforme aux directives de la Communauté europeenne suivantes:
Este producto cumple con las siguientes Directrices de la Comunidad Europea:
Dieses Produkt erfüllt die folgenden Vorschriften der Europäischen Gemeinschaft:
Questo prodotto e conforme alle seguenti direttive CEE:
Dit produkt voldoet aan de volgende EG-richtlijnen:

89/392/EEC, 91/368/EEC, 93/44/EEC, 93/68/EEC

The following Standards were used to verify compliance with the Directives:

Les normes suivantes ont ete utilisees pour verifier la conformite avec les Directives:
Las siguientes Normas se usaron para verificar el cumplimiento de las Directrices:
Folgende Normen wurden angewandt, um erfllung der vorschriften zu bestatigen:
Per verificare la conformita del prodotto alle direttive sono stati usati i seguenti standard:
De volgende normen zijn gebruikt om naleving van de richtlijnen te bevestigen:

EN 292

Approved by: _____

Date: APR-20-2004

RALPH KARUBIAN MONROVIA, CA. U.S.A
(Engineering Manager) (Directeur technique) (gerente de ingenieria) (verantwortlicher Konstruktionsleiter) (Responsabile tecnico) (ondersteunend technisch mangar)

Kentmaster Worldwide Location

Kentmaster Equipment (Aust) PTY.LTD.
Unit 2,24 Central Court
Browns Plains Qld. 4118
Australia

Telephone: (07) 3806-8400
Fax: (07) 3806-7933
Australia@Kentmaster.com

Kentmaster do Brasil, Ltda.
Av. Dr. Joao Teodoro No. 805
Bairro De Vila Rezende
13405-240 Piracicaba, SP,
Brazil

Telephone #1: (019) 3 413 3113
Telephone #2: (019)983-4973
Fax: (019) 3 413 3113
Brazil@Kentmaster.com

Kentmaster (IRL) LTD.
Benamore, Dublin Road.
Roscrea,
CO, Tipperary,
Ireland

Telephone: (353) 0505-23292
Fax: (353) 0505-23299
Ireland@Kentmaster.com

Kentmaster Equipment (NZ) LTD.
5 Cooper Street
Havelock North
New Zealand

Telephone #1: (64) 6 8777 857
Telephone #2: 0800 KENTMASTER
Fax: (64) 6 8777 858
NewZealand@Kentmaster.com

Kentmaster South Africa (PTY) LTD.
Johannesburg - S. Africa
Unit 54 Sunnyrock Park
Sunrock Close, Germiston
South Africa

Telephone: (27) 11-455-3748
Fax: (27) 11-455-3749
SouthAfrica@Kentmaster.com

Kentmaster (UK) LTD.
Unit 16 Avonbank Ind. Centre
West Town Rd, Avonmouth-Bristol,
BS11 9DE
England

Telephone: (44) 117-923-5035
Fax: (44)-117-932-9010
UK@Kentmaster.com

Kentmaster Mfg. Co., Inc.
1801 South Mountain Ave.
Monrovia, CA, 91016
USA

Telephone #1: (626) 359-8888
Telephone #2: (800) 421-1477
Fax: (626) 303-5151
info@Kentmaster.com

Kentmaster Omaha
4417 South 139th Street
Omaha, NE, 68137
USA

Telephone #1: (402) 896-3355
Telephone #2: (800) 367-3181
Fax: (402) 896-3311
Omaha@Kentmaster.com

INDEX

OPERATING AND SAFETY INSTRUCTIONS..... 2

OPERATING INSTRUCTIONS..... 3

MAINTENANCE..... 3

SERVICE..... 3

BLADE REMOVAL AND CLEANING..... 3

PARTS BOOK..... 3

JBT 3

“JBT” OPTIONS 6

HYDRAULIC MOTOR 8

CONVEYOR CHAIN SUPPORT 9

SNOUT PULLER 12

KNIVES ASSEMBLY 14

HEAD CHUTE..... 18

SNOUT CHUTE 19

DRIVE CHAIN COVER..... 20

DRIVE SPROCKET SET 21

IDLER SPROCKET SET 23

TAKE UP SPROCKET SET 25

JAW BONE TAKEUP..... 27

CONVEYOR CHAIN AND HEAD PUSHERS 29

 CONVEYOR AND DRIVE CHAIN ADJUSTMENT..... 31

COVERS..... 32

 FRONT COVER WITH CONTROLS 32

 REAR COVER 34

“JBT” HYDRAULIC DIAGRAMS 35

 AIR VALVES SET w/ENCLOSURE 37

 PILOT VALVE - MOTOR..... 38

 LIMIT SWITCH..... 38

GENERAL INFORMATION 41

DECLARATION OF CONFORMITY..... 42

Kentmaster Worldwide Location 43

INDEX..... 44

FIGURES - INDEX..... 45

FIGURES - INDEX

Figure 1 MODEL “JBT” – MAIN ASSEMBLY 4
 Figure 2 BOM FOR MODEL “JBT” 5
 Figure 3 “JBT” OPTIONS – SNOUT CHUTE 6
 Figure 4 “JBT” OPTIONS – SNOUT CONVEYOR 7
 Figure 5 6650100: HYDRAULIC MOTOR ASSEMBLY 8
 Figure 6 CONVEYOR CHAIN SUPPORT - POSITION 9
 Figure 7 6650190: UPPER CHAIN SUPPORT 10
 Figure 8 6650200: BOTTOM CHAIN SUPPORT 10
 Figure 9 6650210: CHAIN BOTTOM STRIP - TABLE 11
 Figure 10 6650300: SNOUT PULLER ASSEMBLY 12
 Figure 11 6650500: SNOUT PULLER CYLINDER 12
 Figure 12 650310: SNOUT PULLER 13
 Figure 13 6650520: KNIVES SET ASSEMBLY 14
 Figure 14 6650530: KNIFE SET – RIGHT SIDE 15
 Figure 15 6650550: KNIFE CYLINDER SET 16
 Figure 16 6650560: BLADE ASSEMBLY – RIGHT SIDE 16
 Figure 17 6650540: KNIFE SET – LEFT SIDE 17
 Figure 18 6650600: BLADE ASSEMBLY – LEFT SIDE 17
 Figure 19 6650750: HEAD CHUTE – LEFT SIDE 18
 Figure 20 6650970: HEAD CHUTE – RIGHT SIDE 18
 Figure 21 6651630: SNOUT CHUTE – LEFT SIDE 19
 Figure 22 6651690: SNOUT CHUTE – RIGHT SIDE 19
 Figure 23 6650810: DRIVE CHAIN COVER – RIGHT SIDE 20
 Figure 24 6650990: DRIVE CHAIN COVER – LEFT SIDE 20
 Figure 25 6652100: DRIVE SPROCKET SET 21
 Figure 26 7400299: MOUNTED PILLOW BLOCK w/BALL BEARING 22
 Figure 27 6652000: IDLER SPROCKET SET 23
 Figure 28 7400159: MOUNTED PILLOW BLOCK 24
 Figure 29 7400222: SPHERICAL BEARING 24
 Figure 30 6652210: TAKE UP SET WITH SLIDES 25
 Figure 31 6652200: TAKE UP SET 26
 Figure 32 7400158: TAKE UP BEARING 26
 Figure 33 6654000: JAW BONE CYLINDER w/BRACKET 27
 Figure 34 6654060: SLIDE ASS’Y, JAW BONE CYLINDER 27
 Figure 35 6654100: JAW BONE CYLINDER w/CLEVIS 28
 Figure 36 6655510: CONVEYOR CHAIN w/PUSHERS 29
 Figure 37 6655500: CONVEYOR CHAIN KIT 29
 Figure 38 6655000: PUSHER BLOCK 30
 Figure 39 DRIVE AND CONVEYOR CHAIN ADJUSTMENT 31
 Figure 40 6652560: FRONT COVER WITH CONTROLS 32
 Figure 41 6652570: CONTROL PANEL 33
 Figure 42 6652310: REAR COVER 34
 Figure 43 HYDRAULIC DIAGRAMS – CYLINDERS 35
 Figure 44 HYDRAULIC DIAGRAM – POWER SUPPLY 36
 Figure 45 6650940: AIR VALVES SET w/ENCLOSURE 37
 Figure 46 6651710: PILOT VALVE ASS’Y - MOTOR 38
 Figure 47 6652710: LIMIT SWITCH 38