

OPERATOR'S MANUAL

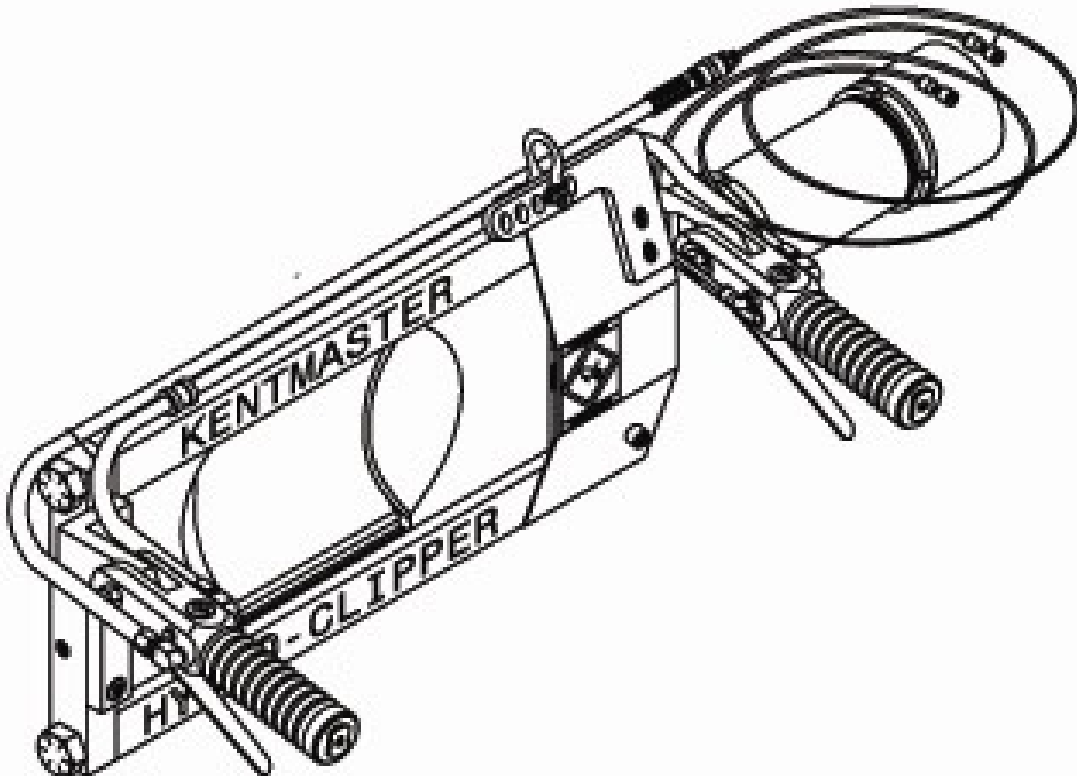
INCLUDING: OPERATION, INSTRUCTION, INSTALLATION, MAINTENANCE AND PARTSBOOK




IMPORTANT: READ THIS MANUAL CAREFULLY BEFORE INSTALLING, OPERATING OR SERVICING THIS TOOL.

HYDRO-CLIPPER HORN SHEAR "HCC-2"

TOOL DATA


MODEL: HCC-2
ASSEMBLY No: 6560000
TYPE: AIR/HYDRAULIC OPERATED
NET WEIGHT: 70 LBS (32 KG)
HYDRAULIC PRESSURE: 2000 P.S.I. (138 bar) MAXIMUM
INLET AIR PRESSURE: 90 P.S.I. (6-7) BARS




 WARNING	= Hazards or unsafe practices which could result in severe personal injury, death or substantial property damage.
 CAUTION	= Hazards or unsafe practices which could result in minor personal injury, product or property damage.
 NOTICE	= Important installation, operation or maintenance information.

OPERATING AND SAFETY INSTRUCTIONS

 **WARNING** DO NOT OPERATE THIS TOOL UNTIL YOU HAVE READ AND UNDERSTOOD THE SAFETY INSTRUCTIONS AND OPERATING MANUALS.


 **WARNING** DO NOT OPERATE THIS TOOL UNTIL YOU HAVE RECEIVED TRAINING IN THE HANDLING, OPERATION AND USE OF THIS TOOL.

 **WARNING** STOP USING A MALFUNCTIONING OR DEFECTIVE TOOL IMMEDIATELY. REPORT ANY PROBLEMS OR DEFECTS TO YOUR SUPERVISOR FOR REMOVAL OF THE TOOL FROM SERVICE.


 **WARNING** DO NOT ATTEMPT TO REPAIR THE TOOL YOURSELF.


 **WARNING** DO NOT ALLOW UNAUTHORIZED PERSONS TO USE TOOL.

 **WARNING** REMOVE AND DISCONNECT POWER FROM THE TOOL WHEN TOOL IS LEFT UNATTENDED OR IS NOT IN USE.

 **WARNING** NEVER TIE DOWN, BYPASS, ALTER OR MODIFY THE ACTIVATING SWITCHES OR TRIGGERS OF THIS TOOL.


 **WARNING** NEVER MAKE ALTERATIONS OR MODIFICATIONS TO THIS TOOL.


 **WARNING** BE CONSTANTLY AWARE AND ALERT FOR UNSAFE CONDITIONS AND REPORT THEM IMMEDIATELY TO YOUR SUPERVISOR.

 **WARNING** NEVER PLACE YOUR HAND OR ANY PART OF YOUR BODY IN THE CUTTING PATH OF THE TOOL.

 **WARNING** NEVER ALLOW ANYONE ELSE TO PLACE THEIR HANDS OR ANY PART OF THEIR BODY IN THE CUTTING PATH OF THE TOOL.

 **WARNING** DO NOT ACTIVATE CONTROL SWITCHES OR TRIGGERS OF THIS TOOL UNLESS YOU INTEND TO TEST OR OPERATE THIS TOOL.

 **WARNING** DO NOT USE THIS TOOL FOR ANY PURPOSE OTHER THAN IT'S INTENDED PURPOSE.

 **CAUTION** WHEN OPERATING THIS TOOL WEAR THE PROTECTIVE GEAR AND SAFETY EQUIPMENT SUPPLIED TO YOU.

 **WARNING** THE NOISE EMISSION (SOUND PRESSURE LEVEL) AT THE WORKSTATION MAY EXCEED 80 dB (A). EAR AND SOUND PROTECTION GEAR IS REQUIRED.

OPERATING INSTRUCTIONS

⚠ WARNING ONLY TRAINED PERSONNEL ARE TO OPERATE THIS TOOL.

1. TO ENSURE TOOL IS OPERATING PROPERLY, PERFORM FOLLOWING STEPS AT START OF EACH SHIFT:
 - MAKE SURE TOOL MOVES UP AND DOWN FREELY WHILE HANGING FROM BALANCER OVERHEAD.
 - WITH POWER TO TOOL TURNED ON, TEST TRIGGER FOR PROPER OPERATION.
 - DEPRESS EACH TRIGGER SEPARATELY. TOOL SHOULD NOT ACTIVATE. DEPRESS BOTH TRIGGERS. TOOL SHOULD ACTIVATE.
 - IF TOOL HAS "ANTI-TIE DOWN" OPTION, BOTH TRIGGERS MUST BE DEPRESSED SIMULTANEOUSLY FOR TOOL TO ACTIVATE.
2. TO PERFORM WORK, HOLD TOOL FIRMLY AT BOTH HANDLES. SQUEEZE TRIGGERS TO ACTIVATE TOOL.
3. POSITION TOOL AND PERFORM CUTTING OPERATION.

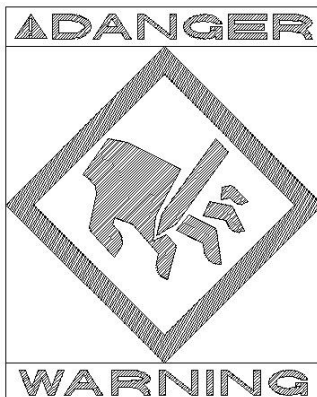
MAINTENANCE

⚠ WARNING ONLY TRAINED AND QUALIFIED PERSONNEL ARE TO PERFORM MAINTENANCE AND SERVICE TO THIS TOOL.

1. MAKE ALL NECESSARY LINE CONNECTIONS TO THE TOOL.
 2. AN AIR FILTER-REGULATOR-LUBRICATOR (PART NO. 7200030) MUST BE INSTALLED IN AIR SUPPLY FOR EACH TOOL.
3. FILL LUBRICATOR WITH KENTMASTER AIR MIST OIL (PART NO. 7903050). SET DRIP RATE ACCORDING TO INSTRUCTIONS SUPPLIED. TURN ADJUSTMENT ON SIGHT FEED DOME TO INCREASE/DECREASE OIL DELIVERY. MONITOR THE DEVICE BEING LUBRICATED AND READJUST IF NEEDED.
 4. TOOL REQUIRES 90 P.S.I. AIR PRESSURE.

SERVICE

1. KEEP GOOD RECORDS OF ALL SERVICE ACTIVITY AND INCLUDE TOOL IN PREVENTIVE MAINTENANCE PROGRAM.
2. USE ONLY GENUINE KENTMASTER REPLACEMENT PARTS TO ASSURE PROPER PERFORMANCE OF TOOL.
3. CONTACT THE KENTMASTER SUPPLIER NEAREST YOU FOR PARTS AND CUSTOMER SERVICE INFORMATION.



BLADE REMOVAL AND CLEANING.

ALWAYS DISCONNECT POWER SUPPLY FROM TOOL BEFORE INSTALLING OR REMOVING BLADE FROM TOOL.

ALWAYS WEAR WIRE MESH GLOVES WHEN INSTALLING OR REMOVING BLADE FROM TOOL.

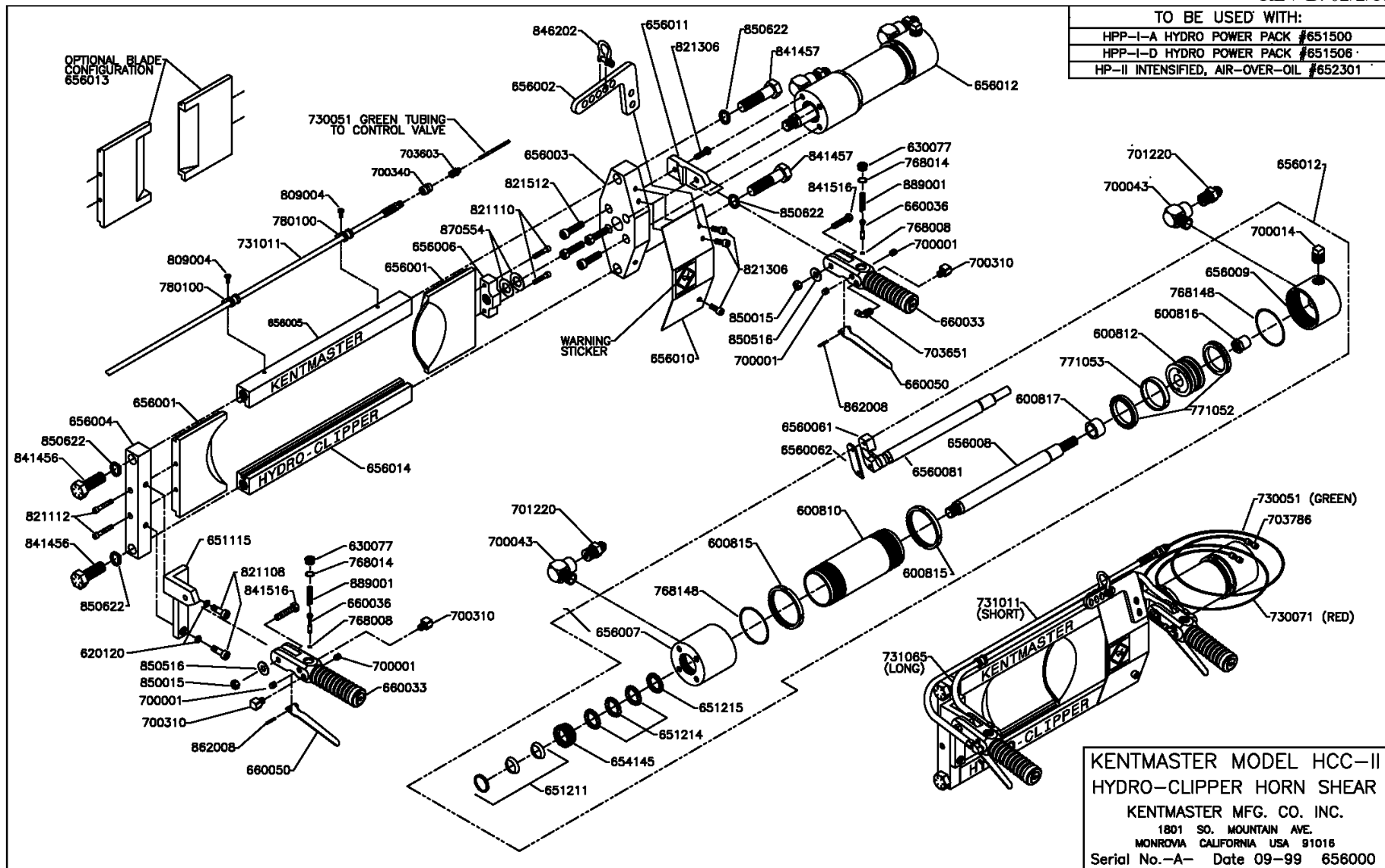


Figure 1 MODEL "HCC-2" – MAIN ASSEMBLY

KENTMASTER MFG. CO., INC. 1801 SOUTH MOUNTAIN AVE., MONROVIA, CALIFORNIA 91016 UNITED STATES OF AMERICA
 ☎ TELEPHONE: (626) 359-8888 FAX: (626) 303-5151

PART NO.	DESCRIPTION	QTY	PART NO.	DESCRIPTION	QTY
600810	BODY, CYLINDER	1	700340	COUPLING	1
600812	PISTON	1	701220	CONNECTOR	2
600815	LOCK RING	2	703603	MALE STUD FITTING	1
600816	CUSHION, REAR	1	703651	MALE STUD ELBOW	1
600817	CUSHION, FRONT	1	703786	UNION FITTING	2
620120	WASHER	2	730051	TUBING, GREEN	1
630077	PLUG, VALVE	2	730071	TUBING, RED	1
651115	BRACKET, LEFT HANDLE	1	731011	ARMORED HOSE (SHORT) 22"	1
651211	WIPER, ROD ASSY	1	731065	ARMORED HOSE (LONG) 29 1/2"	1
651214	PACKING ROD	3	768008	O-RING	2
651215	ADAPTOR, PACKING	1	768014	O-RING	2
654145	NUT, PACKING	1	768148	O-RING	2
656001	BLADE, CUP	2	771052	SEAL	2
656002	BRACKET, HANGER	1	771053	WEAR RING	1
656003	BLOCK, CYLINDER MOUNT	1	780100	CLAMP	2
656004	BLOCK, GUIDE	1	809004	SCREW, PAN HEAD	2
656005	GUIDE, BLADE (UPPER)	1	821108	SCREW, SOCKET HEAD	2
656006	CLEVIS	1	821110	SCREW, SOCKET HEAD	2
656007	HEAD, ROD END	1	821112	SCREW, SOCKET HEAD	2
656008	SHAFT, CYLINDER	1	821306	SCREW, SOCKET HEAD	4
656009	HEAD, BLIND END	1	821512	SCREW, SOCKET HEAD	4
656010	GUARD, BLADE	1	841456	BOLT, HEX HEAD	2
656011	BRACKET, RIGHT HANDLE	1	841457	BOLT, HEX HEAD	2
656012	CYLINDER ASSY.	1	841516	SCREW, HANDLE	2
656013	BLADE FLAT (OPTIONAL)	2	846202	ANCHOR SHACKLE	1
656014	GUIDE, BLADE (LOWER)	1	850015	HEX NUT, HANDLE	2
660033	HANDLE, W/ BUSHING	2	850516	WASHER	2
660036	STEM, VALVE	2	850622	LOCKWASHER	4
660050	LEVER, VALVE	2	862008	DOWEL PIN	2
700001	PIPE PLUG	4	870554	WASHER	2
700014	PIPE PLUG	1	889001	SPRING	2
700043	90° STREET ELBOW	2	921512	SCREW, SOCKET HEAD	4
700310	90° STREET ELBOW	3			

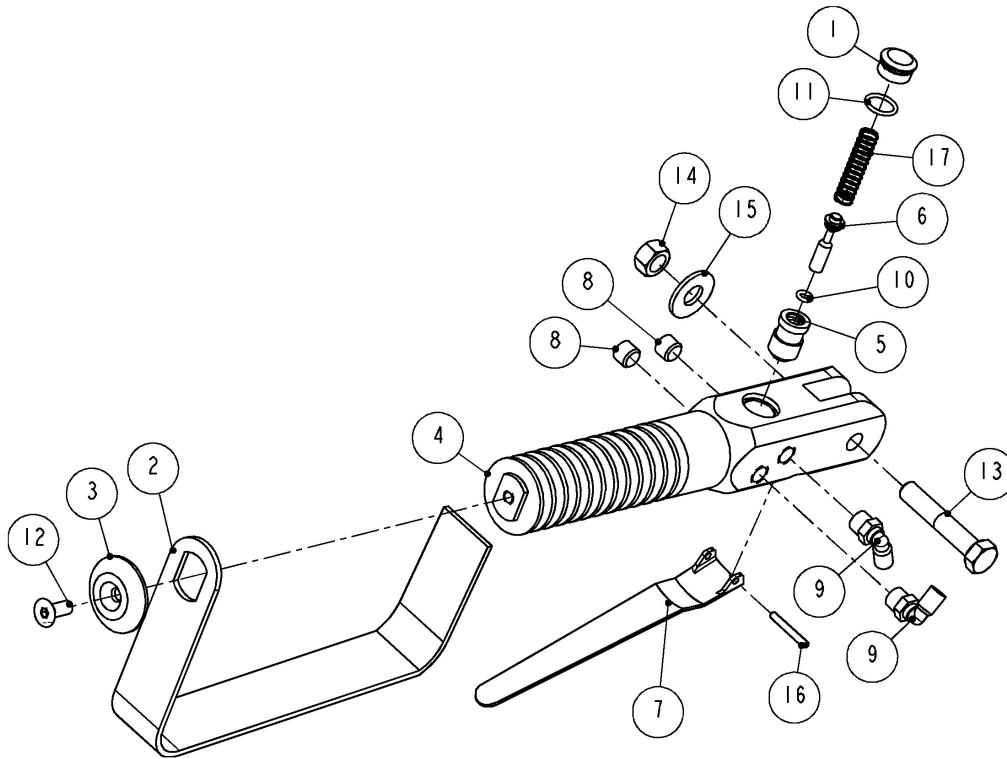
Heavy duty shaft option:

Use parts 6560081- Shaft, 6560061 and 6560062 (CLEVIS)

Figure 2 BOM FOR MODEL "HCC-2"

KENTMASTER MFG. CO., INC. 1801 SOUTH MOUNTAIN AVE., MONROVIA, CALIFORNIA 91016 UNITED STATES OF AMERICA

☎ TELEPHONE: (626) 359-8888 FAX: (626) 303-5151



6600530: AIR HANDLE			
ITEM	PART #	DESCRIPTION	QTY
1	6300770	VALVE PLUG	1
2	6541690	GUARD	1
3	6541720	RETAINER	1
4	6600340	HANDLE	1
5	6600350	BUSHING	1
6	6600360	VALVE STEM	1
7	6600500	LEVER	1
8	7000010	PLUG	2
9	7036510	ELBOW	2
10	7680080	O-RING	1
11	7680140	O-RING	1
12	8241050	SCREW	1
13	8415160	SCREW	1
14	8500150	NUT	1
15	8505160	WASHER	1
16	8620080	PIN	1
17	8890010	SPRING	1

Figure 3 AIR HANDLE

TUBING DIAGRAM

HCC-2 TUBING DIAGRAM WITHOUT ANTI-TIE DOWN OPTION

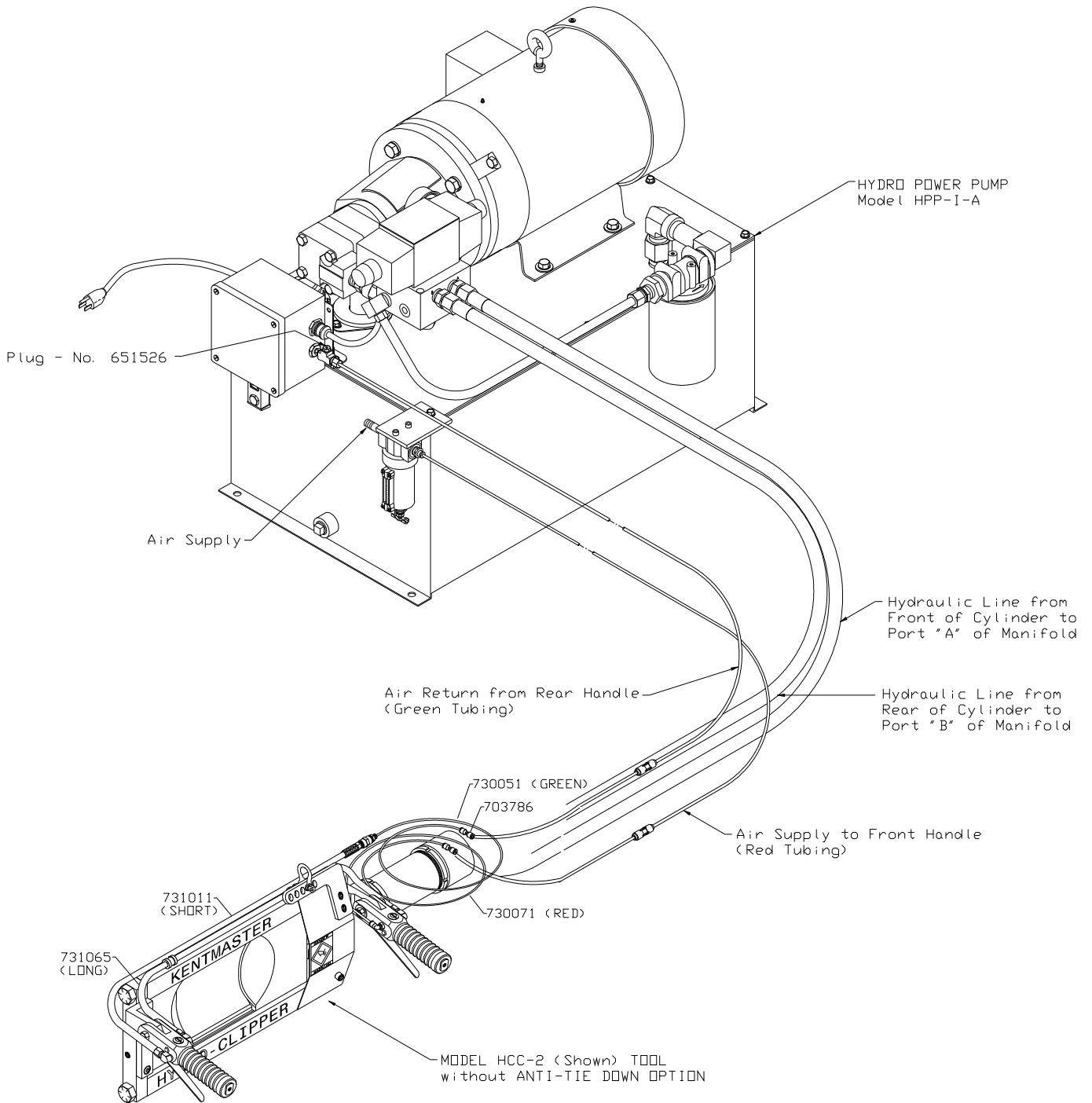


Figure 4 HCC-2 TUBING DIAGRAM WITHOUT ANTI-TIE DOWN

HCC-2 TUBING DIAGRAM WITH ANTI-TIE DOWN OPTION

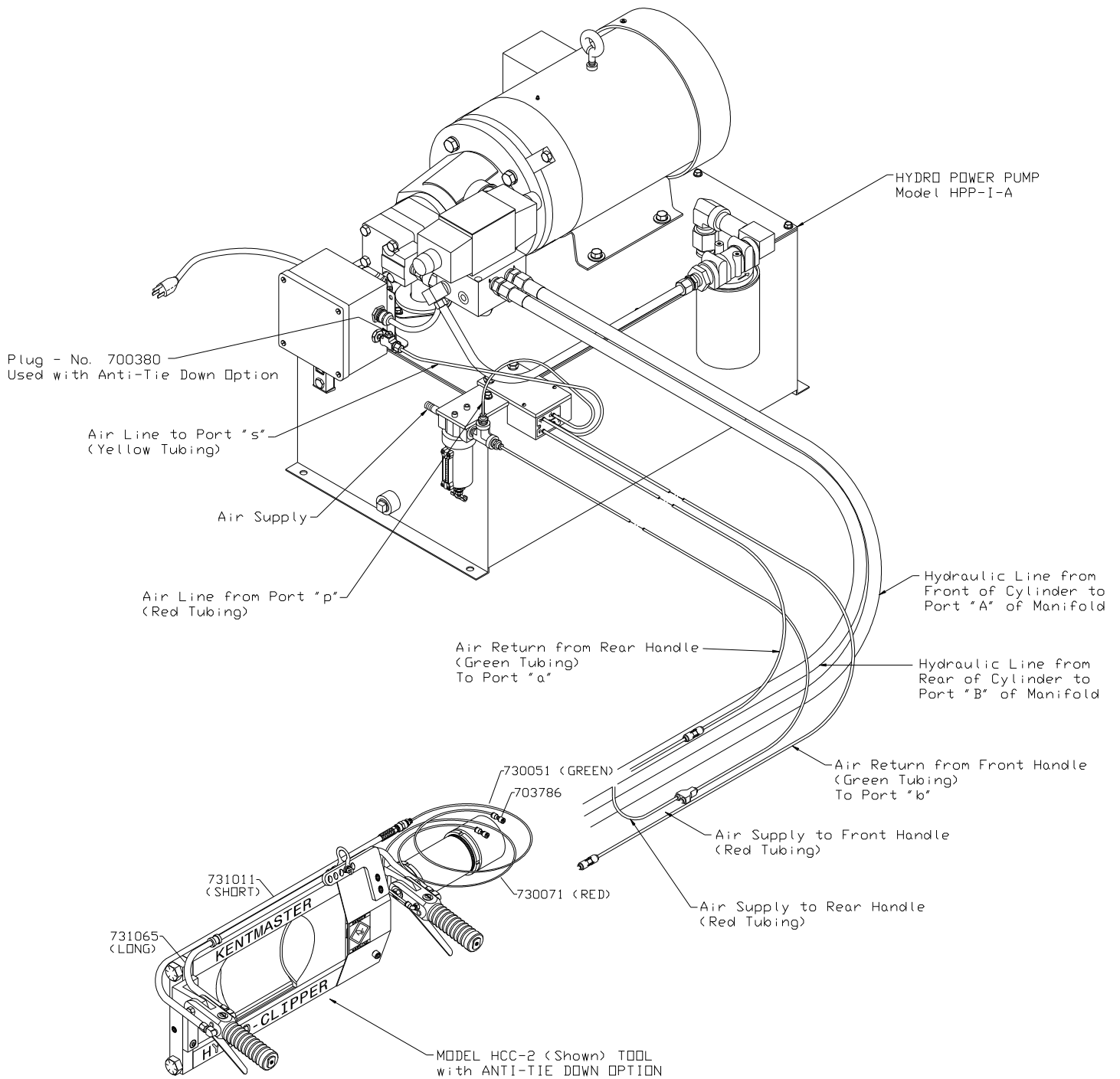
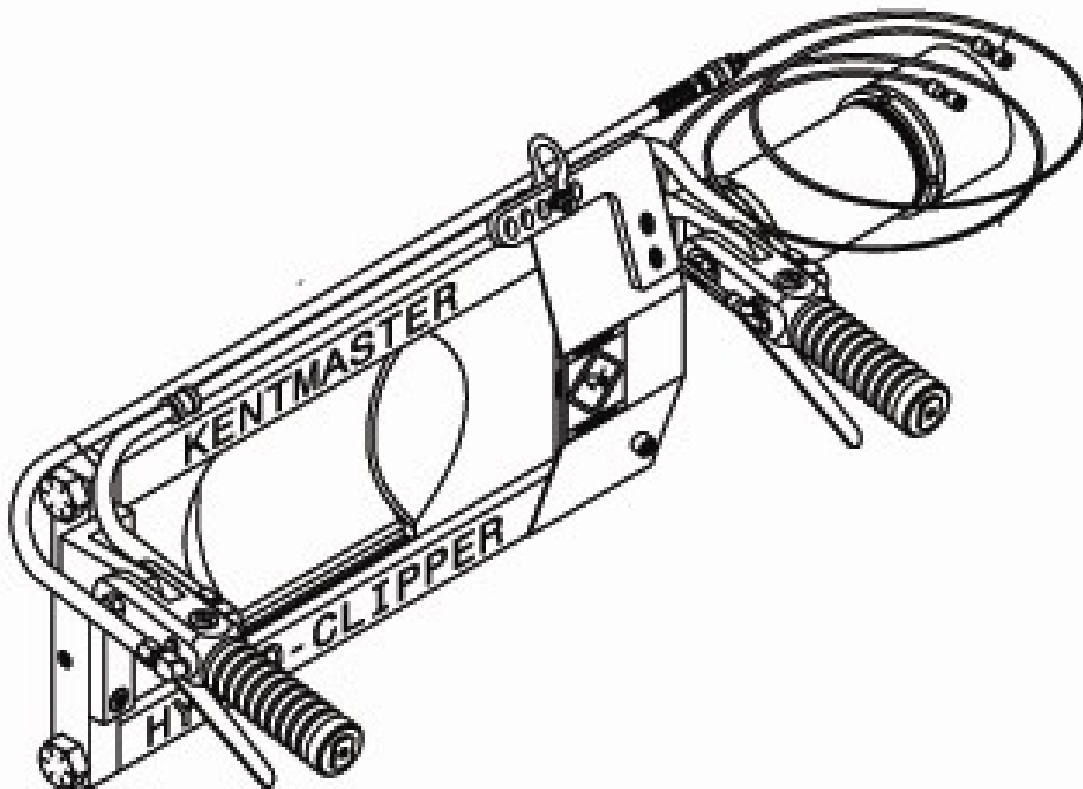


Figure 5 HCC-2 TUBING DIAGRAM WITH ANTI-TIE DOWN

[ENGLISH]

GENERAL INFORMATION



MODEL
“HCC-2” HYDRO-CLIPPER HORH SHEAR

SERVICE CENTERS

KENTMASTER LTD. (U.K)
16 AVONBANK INDUSTRIAL CENTRE
WEST TOWN ROAD
AVONMOUTH - BRISTOL BS11 9DE
UNITED KINGDOM

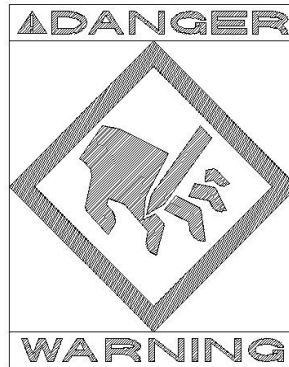
☎ **TELEPHONE: ++ 44- (0) 117- 9235035**
FAX: ++ 44- (0) 117- 9829010

KENTMASTER MFG. CO., INC.
1801 SOUTH MOUNTAIN AVE.
MONROVIA, CALIFORNIA 91016
UNITED STATES OF AMERICA

☎ **TELEPHONE: (626) 359-8888**
FAX: (626) 303-5151

NOTICE TO EMPLOYER AND PURCHASER OF TOOL
NOTICE TO SAFETY DIRECTOR

You have purchased a powerful tool that, if misused, can cause severe injury and harm to your employees. You must instruct your employees in the safe and proper use of this tool and to follow the safety procedures and instructions that have been supplied by the manufacturer of this tool. Please follow the following instructions.



1. Instruct tool operators to test the tool each day before using it to be sure it does not malfunction. Remove and repair any tool that malfunctions.
2. Instruct tool operators to immediately stop using a tool that malfunctions or is defective.
3. Instruct personnel to immediately remove all tools that malfunction. Be sure to disconnect tool from power supply.
4. Instruct all personnel to stay clear of tool, and not to stand or walk in front of, or next to tool when in use.
5. Point out to all personnel the dangers related to the misuse of tool and the importance of following safety procedures and instructions.
6. Do not make, or allow others to make, alterations or modifications to this tool. Replace all lost or illegible labels.
7. Follow all safety, installation and maintenance instructions provided with this tool. Establish proper safety procedures in accordance with local and national requirements to prevent accidental energizing of tool that can cause injuries.
8. If this tool is sold or change in ownership takes place, you must provide the new owner all safety instructions, notices and maintenance instructions you were originally provided. You can obtain additional copies of the instructions from Kentmaster, free of charge upon request.
9. Give copies of instructions to:
 - (A) Tool Operators
 - (B) Maintenance Supervisor
 - (C) Clean-up Supervisor


GENERAL INFORMATION


COVERING: SAFETY PRECAUTIONS AND PLACING INTO SERVICE
HYDRO-CLIPPER HORN SHEAR


READ THIS MANUAL CAREFULLY BEFORE INSTALLING, OPERATING OR SERVICING THIS TOOL


IT IS THE RESPONSIBILITY OF THE EMPLOYER TO PLACE THIS INFORMATION INTO THE HANDS OF THE OPERATOR.


PLACING INTO SERVICE

 **WARNING** = Hazards or unsafe practices which could result in severe personal injury, death or substantial property damage.

 **CAUTION** = Hazards or unsafe practices which could result in minor personal injury, product or property damage.

 **NOTICE** = Important installation, operation or maintenance information.

 **WARNING** Installation, adjustment repair and maintenance of this tool must be made by trained and qualified personnel.

 **WARNING** Always disconnect power supply from tool before:

- (A) Installing or removing blade from tool.
- (B) Making repairs or adjustments to the tool.
- (C) performing maintenance or cleanup work.

Kentmaster Worldwide Location

Kentmaster Equipment (Aust) PTY.LTD.

Unit 2,24 Central Court
Browns Plains Qld. 4118
Australia

Telephone: (07) 3806-8400

Fax: (07) 3806-7933

Australia@Kentmaster.com

Kentmaster do Brasil, Ltda.

Av. Dr. Joao Teodoro No. 805

Bairro De Vila Rezende

13405-240 Piracicaba, SP,

Brazil

Telephone #1: (019) 3 413 3113

Telephone #2: (019)983-4973

Fax: (019) 3 413 3113

Brazil@Kentmaster.com

Kentmaster (IRL) LTD.

Benamore, Dublin Road.

Roscrea,

CO, Tipperary,

Ireland

Telephone: (353) 0505-23292

Fax: (353) 0505-23299

Ireland@Kentmaster.com

Kentmaster Equipment (NZ) LTD.

5 Cooper Street

Havelock North

New Zealand

Telephone #1: (64) 6 8777 857

Telephone #2: 0800 KENTMASTER

Fax: (64) 6 8777 858

NewZealand@Kentmaster.com

Kentmaster South Africa (PTY) LTD.

Johannesburg - S. Africa

Unit 54 Sunnyrock Park

Sunrock Close, Germiston

South Africa

Telephone: (27) 11-455-3748

Fax: (27) 11-455-3749

SouthAfrica@Kentmaster.com

Kentmaster (UK) LTD.

Unit 16 Avonbank Ind. Centre

West Town Rd, Avonmouth-Bristol,

BS11 9DE

England

Telephone: (44) 117-923-5035

Fax: (44)-117-932-9010

UK@Kentmaster.com

Kentmaster Mfg. Co., Inc.

1801 South Mountain Ave.

Monrovia, CA, 91016

USA

Telephone #1: (626) 359-8888

Telephone #2: (800) 421-1477

Fax: (626) 303-5151

info@Kentmaster.com

Kentmaster Omaha

4417 South 139th Street

Omaha, NE, 68137

USA

Telephone #1: (402) 896-3355

Telephone #2: (800) 367-3181

Fax: (402) 896-3311

Omaha@Kentmaster.com

INDEX

OPERATING AND SAFETY INSTRUCTIONS..... 2

OPERATING INSTRUCTIONS..... 3

MAINTENANCE..... 3

SERVICE..... 3

HANDLES..... 6

TUBING DIAGRAM..... 7

 HCC-2 TUBING DIAGRAM WITHOUT ANTI-TIE DOWN OPTION..... 7

 HCC-2 TUBING DIAGRAM WITH ANTI-TIE DOWN OPTION..... 8

NOTICE TO EMPLOYER AND PURCHASER OF TOOL..... 10

GENERAL INFORMATION..... 11

Kentmaster Worldwide Location..... 12

INDEX..... 13

FIGURES - INDEX..... 13

FIGURES - INDEX

Figure 1 MODEL “HCC-2” – MAIN ASSEMBLY..... 4

Figure 2 BOM FOR MODEL “HCC-2”..... 5

Figure 3 AIR HANDLE..... 6

Figure 4 HCC-2 TUBING DIAGRAM WITHOUT ANTI-TIE DOWN..... 7

Figure 5 HCC-2 TUBING DIAGRAM WITH ANTI-TIE DOWN..... 8