

# **OPERATOR'S MANUAL**

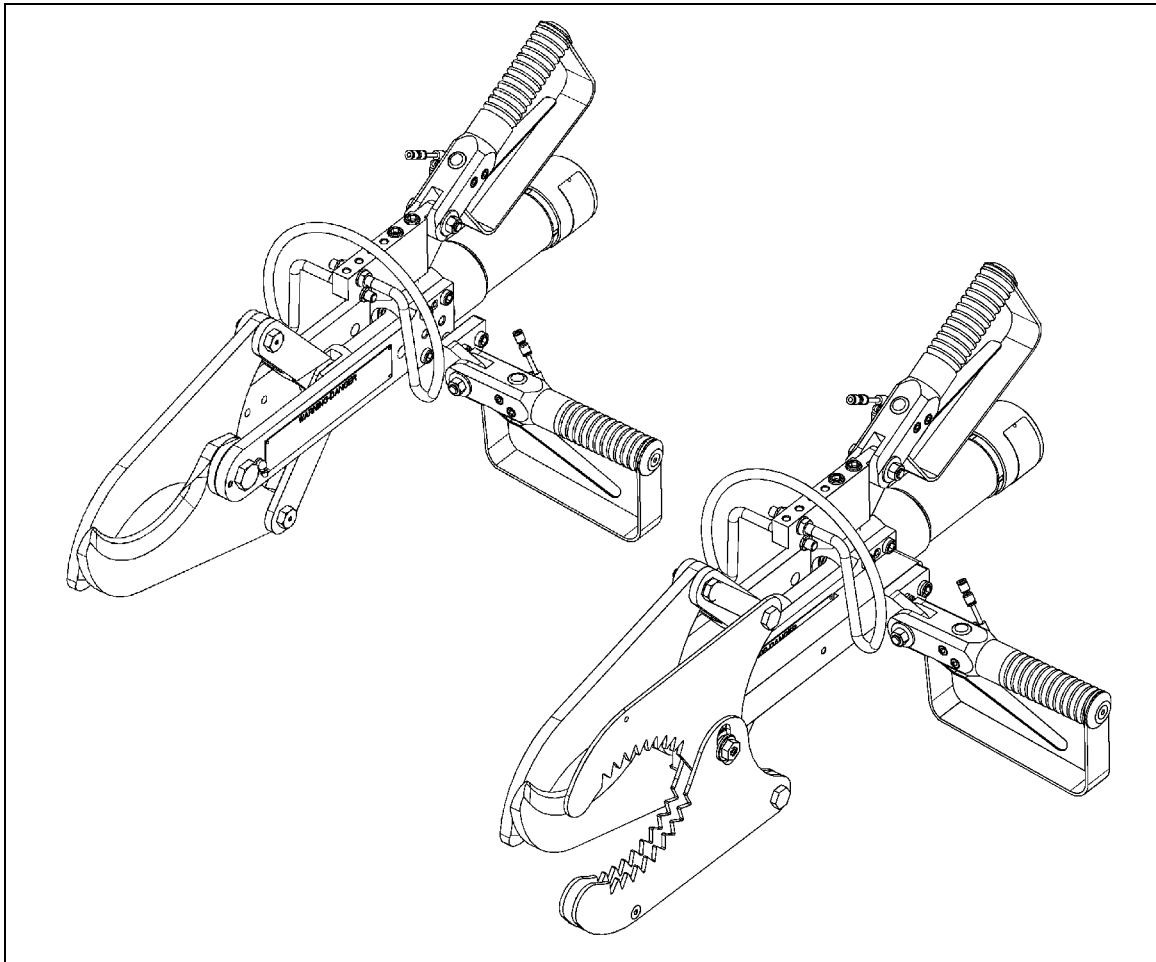
**INCLUDING: OPERATION, INSTRUCTION, INSTALLATION, MAINTENANCE AND PARTSBOOK**




**IMPORTANT: READ THIS MANUAL CAREFULLY BEFORE INSTALLING, OPERATING OR SERVICING THIS TOOL.**

## **HYDRAULIC HOCK CUTTER AND DEHORNER "HC-3"**

### **TOOL DATA**

MODEL: HC-3  
ASSEMBLY No: 6540100  
TYPE: AIR/HYDRAULIC OPERATED  
NET WEIGHT: 40 LBS (18 KG)  
HYDRAULIC PRESSURE: 2000 P.S.I. MAXIMUM  
INLET AIR PRESSURE: 90 P.S.I. (6-7) BARS



 <b>WARNING</b>	= Hazards or unsafe practices which could result in severe personal injury, death or substantial property damage.
 <b>CAUTION</b>	= Hazards or unsafe practices which could result in minor personal injury, product or property damage.
 <b>NOTICE</b>	= Important installation, operation or maintenance information.

## OPERATING AND SAFETY INSTRUCTIONS

-  **WARNING** DO NOT OPERATE THIS TOOL UNTIL YOU HAVE READ AND UNDERSTOOD THE SAFETY INSTRUCTIONS AND OPERATING MANUALS.
-  **WARNING** DO NOT OPERATE THIS TOOL UNTIL YOU HAVE RECEIVED TRAINING IN THE HANDLING, OPERATION AND USE OF THIS TOOL.
-  **WARNING** STOP USING A MALFUNCTIONING OR DEFECTIVE TOOL IMMEDIATELY. REPORT ANY PROBLEMS OR DEFECTS TO YOUR SUPERVISOR FOR REMOVAL OF THE TOOL FROM SERVICE.
-  **WARNING** DO NOT ATTEMPT TO REPAIR THE TOOL YOURSELF.
-  **WARNING** DO NOT ALLOW UNAUTHORIZED PERSONS TO USE TOOL.
-  **WARNING** REMOVE AND DISCONNECT POWER FROM THE TOOL WHEN TOOL IS LEFT UNATTENDED OR IS NOT IN USE.
-  **WARNING** NEVER TIE DOWN, BYPASS, ALTER OR MODIFY THE ACTIVATING SWITCHES OR TRIGGERS OF THIS TOOL.
-  **WARNING** NEVER MAKE ALTERATIONS OR MODIFICATIONS TO THIS TOOL.
-  **WARNING** BE CONSTANTLY AWARE AND ALERT FOR UNSAFE CONDITIONS AND REPORT THEM IMMEDIATELY TO YOUR SUPERVISOR.
-  **WARNING** NEVER PLACE YOUR HAND OR ANY PART OF YOUR BODY IN THE CUTTING PATH OF THE TOOL.
-  **WARNING** NEVER ALLOW ANYONE ELSE TO PLACE THEIR HANDS OR ANY PART OF THEIR BODY IN THE CUTTING PATH OF THE TOOL.
-  **WARNING** DO NOT ACTIVATE CONTROL SWITCHES OR TRIGGERS OF THIS TOOL UNLESS YOU INTEND TO TEST OR OPERATE THIS TOOL.
-  **WARNING** DO NOT USE THIS TOOL FOR ANY PURPOSE OTHER THAN IT'S INTENDED PURPOSE.
-  **CAUTION** WHEN OPERATING THIS TOOL WEAR THE PROTECTIVE GEAR AND SAFETY EQUIPMENT SUPPLIED TO YOU.
-  **WARNING** THE NOISE EMISSION (SOUND PRESSURE LEVEL) AT THE WORKSTATION MAY EXCEED 80 dB (A). EAR AND SOUND PROTECTION GEAR IS REQUIRED.

## OPERATING INSTRUCTIONS

**⚠ WARNING ONLY TRAINED PERSONNEL ARE TO OPERATE THIS TOOL.**

1. TO ENSURE TOOL IS OPERATING PROPERLY, PERFORM FOLLOWING STEPS AT START OF EACH SHIFT:
  - MAKE SURE TOOL MOVES UP AND DOWN FREELY WHILE HANGING FROM BALANCER OVERHEAD.
  - WITH POWER TO TOOL TURNED ON, TEST TRIGGER FOR PROPER OPERATION.
  - DEPRESS EACH TRIGGER SEPARATELY. TOOL SHOULD NOT ACTIVATE. DEPRESS BOTH TRIGGERS. TOOL SHOULD ACTIVATE.
  - IF TOOL HAS "ANTI-TIE DOWN" OPTION, BOTH TRIGGERS MUST BE DEPRESSED SIMULTANEOUSLY FOR TOOL TO ACTIVATE.
2. TO PERFORM WORK, HOLD TOOL FIRMLY AT BOTH HANDLES. SQUEEZE TRIGGERS TO ACTIVATE TOOL.
3. POSITION TOOL AND PERFORM CUTTING OPERATION.

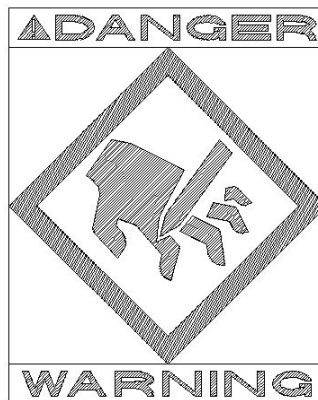
## MAINTENANCE

**⚠ WARNING ONLY TRAINED AND QUALIFIED PERSONNEL ARE TO PERFORM MAINTENANCE AND SERVICE TO THIS TOOL.**

1. MAKE ALL NECESSARY LINE CONNECTIONS TO THE TOOL.
2. AN AIR FILTER-REGULATOR-LUBRICATOR (PART NO. 7200030) MUST BE INSTALLED IN AIR SUPPLY FOR EACH TOOL.
3. FILL LUBRICATOR WITH KENTMASTER AIR MIST OIL (PART NO. 7903050). SET DRIP RATE ACCORDING TO INSTRUCTIONS SUPPLIED. TURN ADJUSTMENT ON SIGHT FEED DOME TO INCREASE/DECREASE OIL DELIVERY. MONITOR THE DEVICE BEING LUBRICATED AND READJUST IF NEEDED.
4. TOOL REQUIRES 90 P.S.I. AIR PRESSURE.

## SERVICE

1. KEEP GOOD RECORDS OF ALL SERVICE ACTIVITY AND INCLUDE TOOL IN PREVENTIVE MAINTENANCE PROGRAM.
2. USE ONLY GENUINE KENTMASTER REPLACEMENT PARTS TO ASSURE PROPER PERFORMANCE OF TOOL.
3. CONTACT THE KENTMASTER SUPPLIER NEAREST YOU FOR PARTS AND CUSTOMER SERVICE INFORMATION.

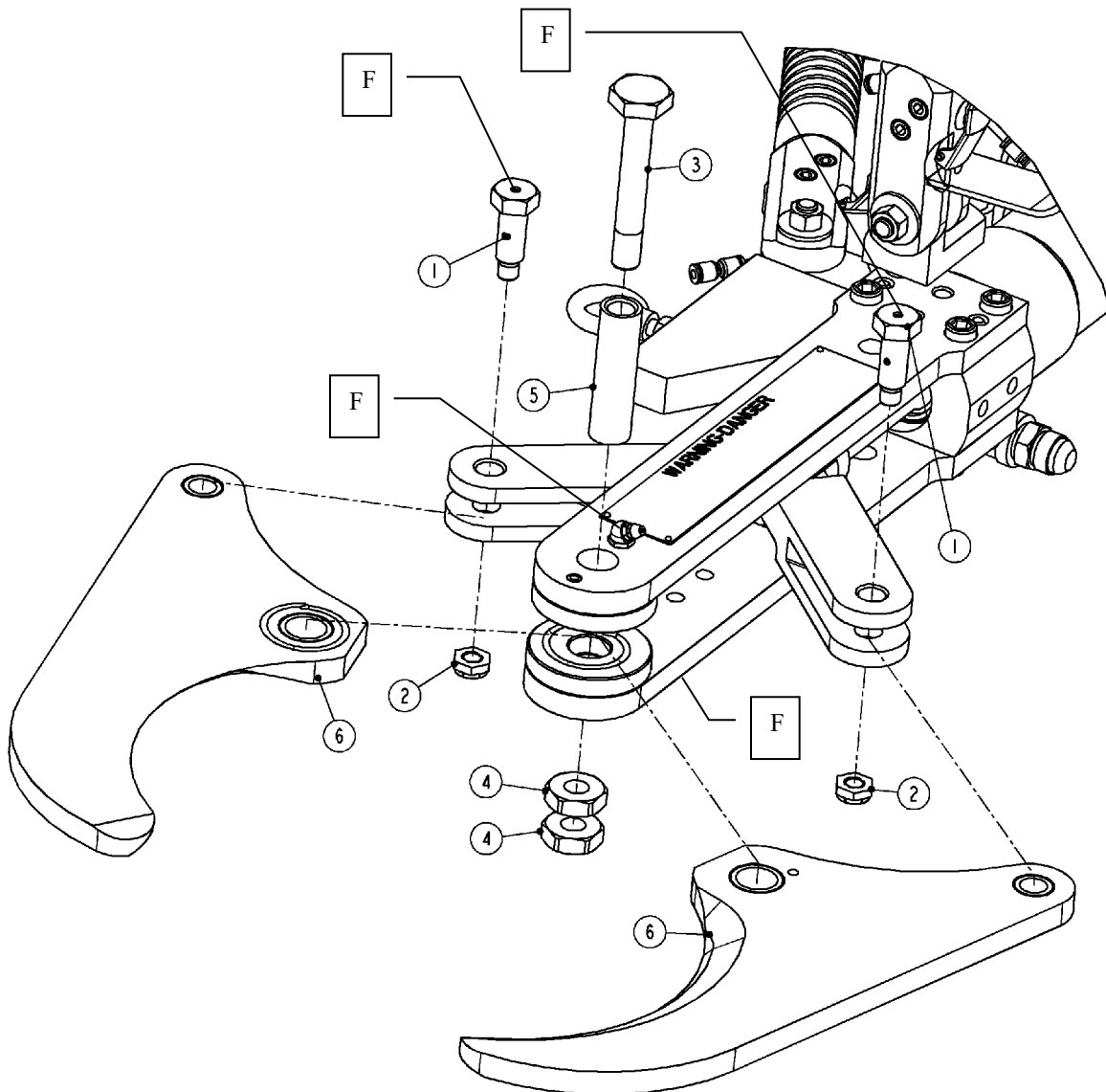


**BLADE REMOVAL AND CLEANING.**

**⚠ WARNING** ALWAYS DISCONNECT POWER SUPPLY FROM TOOL BEFORE INSTALLING OR REMOVING BLADE FROM TOOL.

**⚠ WARNING** ALWAYS WEAR WIRE MESH GLOVES WHEN INSTALLING OR REMOVING BLADE FROM TOOL.

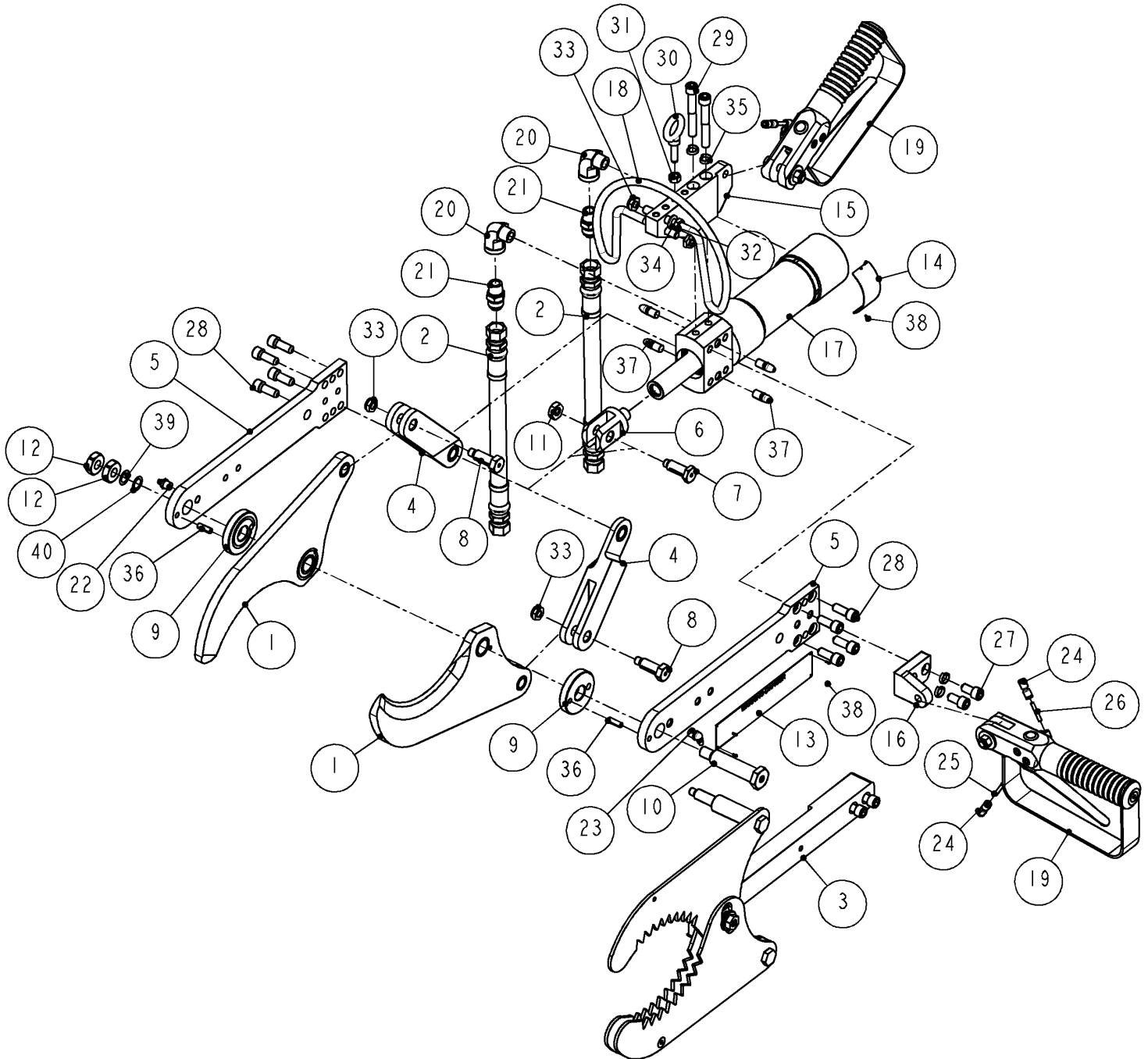
1. REMOVE BOLTS, NUTS AND BUSHING (ITEM NO. 1, 2, 3, 4 AND 5, FIG. NO. 1).
2. REMOVE BLADE (ITEM NO. 6, FIG. NO. 1).
3. CLEAN BLADES WITH SOAP AND WATER.
4. SHARPEN OR REPLACE BLADES WHEN NECESSARY.
5. REASSEMBLE IN REVERSE ORDER.
6. FILL WITH GREASE (KENTMASTER GREASE – NO. 790307) AT (4) FITTINGS (F) BEFORE USING TOOL.



**Figure 1 MODEL HC-3 – BLADE REPLACMENT**

# PARTS BOOK

## HC-3, HOCK CUTTER AND DEHORNER

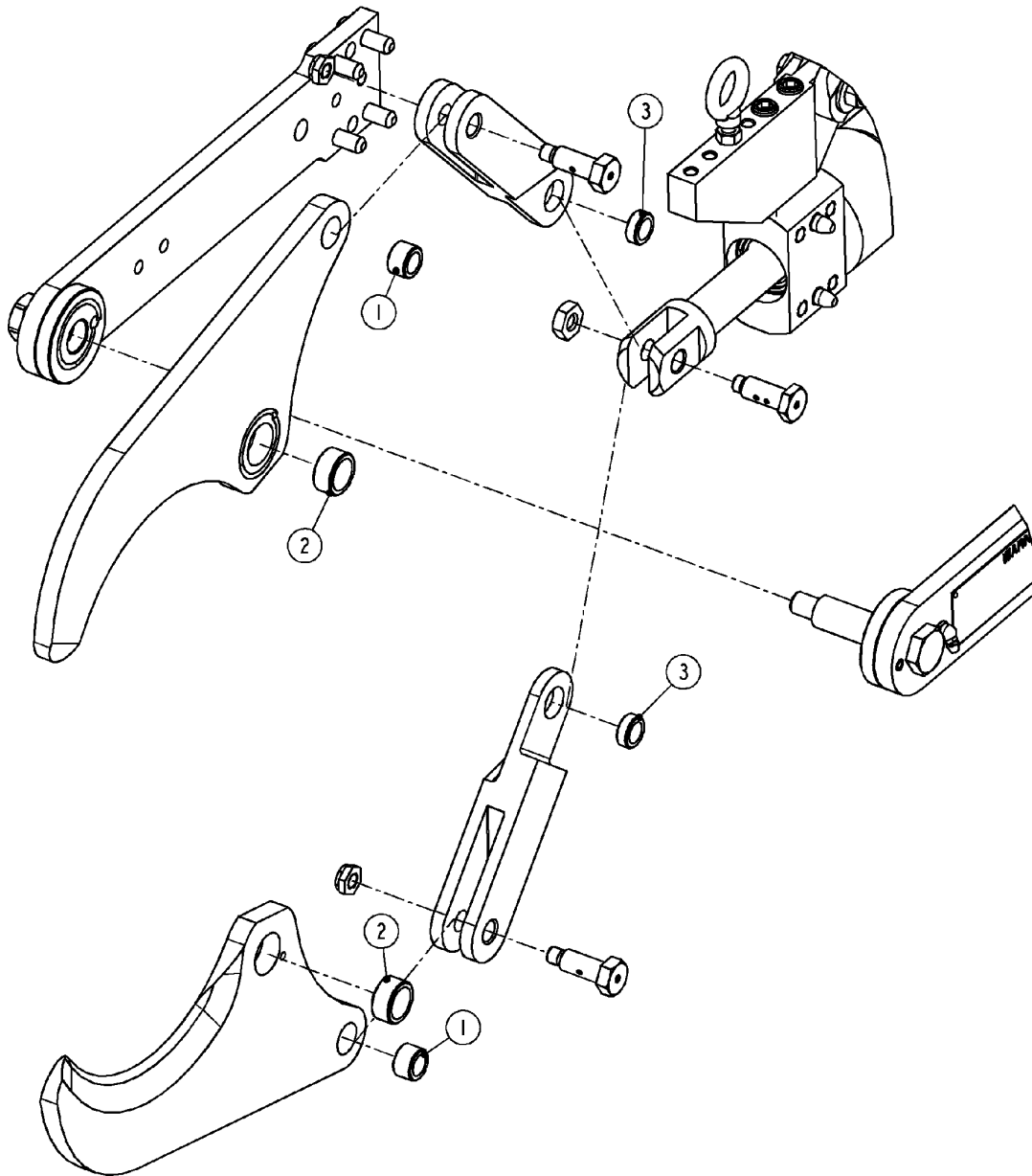


**Figure 2 MODEL "HC-3" – MAIN ASSEMBLY**

<b>6540100: HC-3, HOCK CUTTER AND DEHORNER</b>			
<b>ITEM</b>	<b>PART #</b>	<b>DESCRIPTION</b>	<b>QTY</b>
1	6541190	BLADE w/ BUSHINGS	2
2	7303500	HYDRAULIC HOSE	2
3	6541840	LEG HOLDER ASSEMBLY	1
4	6541010	CONNECTING LINK	2
5	6541020	SIDE BAR	2
6	6541030	CLEVIS	1
7	6541040	PIN, CLEVIS	1
8	6541050	PIN	2
9	6541060	SPACER	2
10	6541071	BOLT	1
11	6541090	NUT	1
12	6541110	NUT	2
13	6541250	PLATE	1
14	6541380	NAME PLATE	1
15	6541430	BRACKET - HANGER, HANDLE	1
16	6541620	BRACKET	1
17	6542100	HYDRAULIC CYLINDER	1
18	6542450	HANGER	1
19	6600530	AIR HANDLE	2
20	7000420	ELBOW	2
21	7012190	MALE CONNECTOR	2
22	7016100	LUBE FITTING	1
23	7016120	LUBE FITTING	1
24	7037860	UNION	4
25	7300710	RED AIR TUBE	2
26	7300720	GREEN AIR TUBE	2
27	8215060	SCREW	2
28	8215080	SCREW	8
29	8215220	SCREW	2
30	8463070	SHOULDER EYE BOLT	1
31	8500130	NUT	1
32	8500190	NUT	1
33	8504870	NUT	4
34	8506160	WASHER	1
35	8506660	HI-COLLAR WASHER	4
36	8614120	PIN	2
37	8622520	DOWEL PIN	4
38	8640130	DRIVE SCREW	6
39	8705020	WASHER	1
40	8705030	WASHER	1

**Figure 3 BOM FOR MODEL "HC-3"**

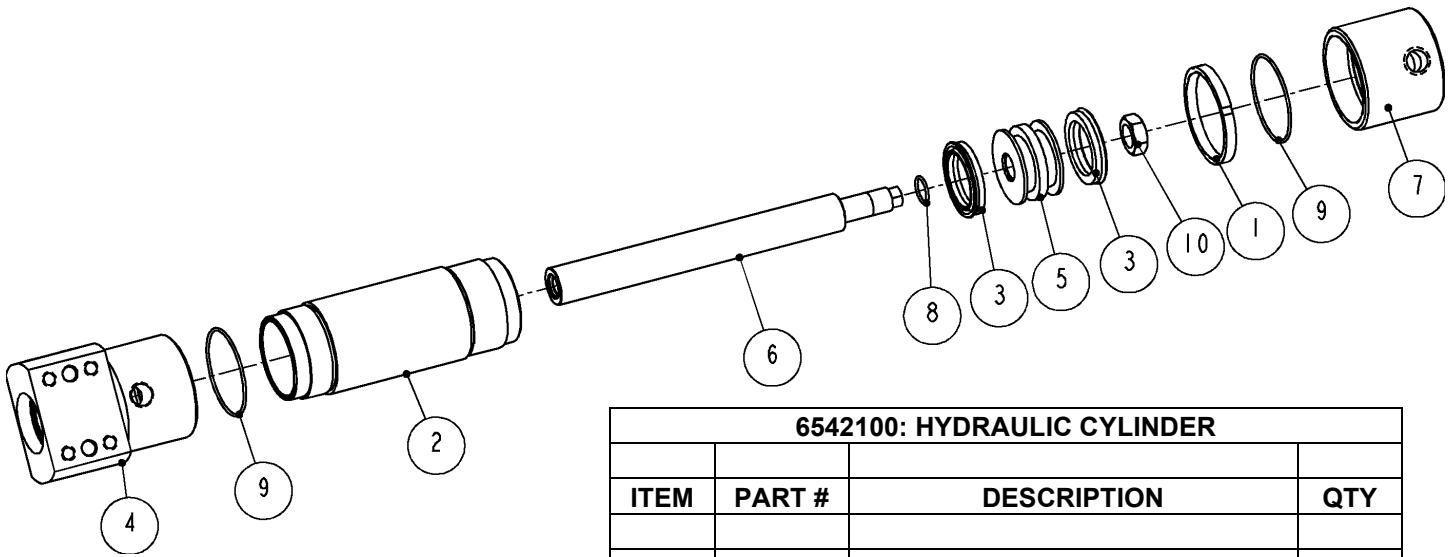
**HC-3, REPLACMENT BUSHINGS FOR BLADES AND LINKS**



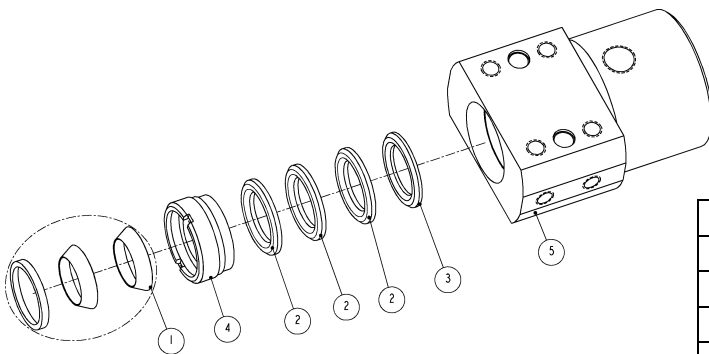
3	6541180	BUSHING, CONNECTING LINK	2
2	6541170	BUSHING, BLADE, LARGE	2
1	6541160	BUSHING, BLADE, SMALL	2
ITEM	PART	DESCRIPTION	QTY
<b>BUSHINGS USED WITH BLADES AND LINKS</b>			

**Figure 4 HC-3, BUSHINGS FOR BLADES AND LINKS**

**HYDRAULIC CYLINDER ASSEMBLY**



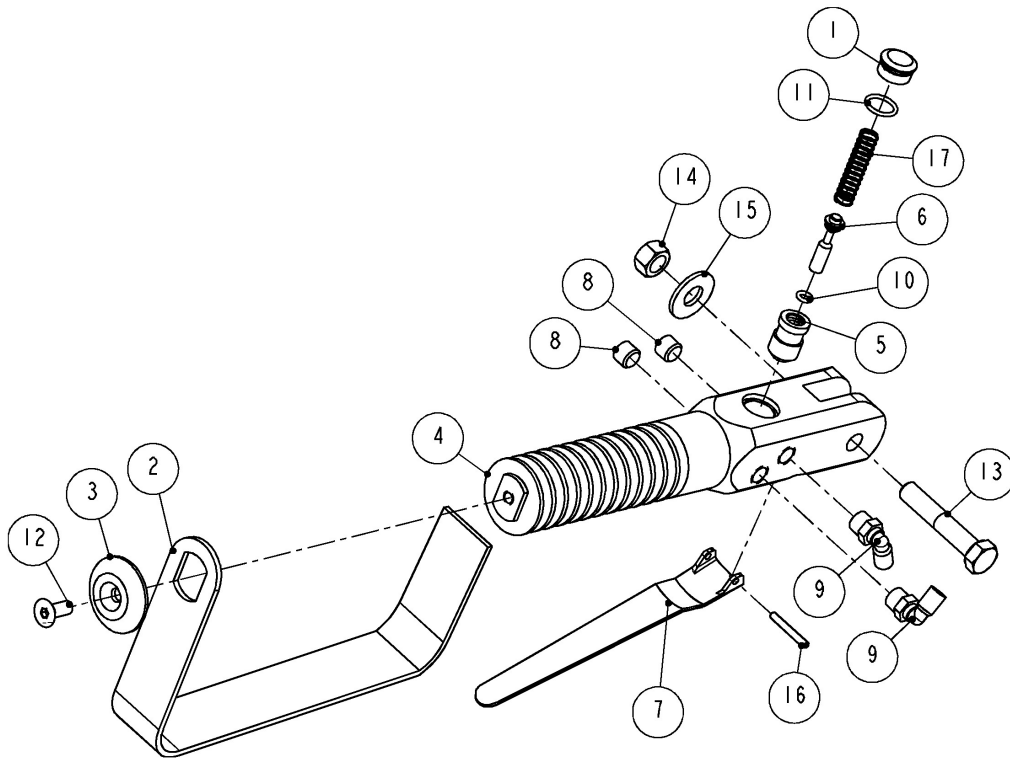
6542100: HYDRAULIC CYLINDER			
ITEM	PART #	DESCRIPTION	QTY
1	6532010	NUT	1
2	6532020	BODY, CYLINDER	1
3	6532070	U-CUP, PISTON	2
4	6541470	ROD AND HEAD ASSEMBLY	1
5	6542010	PISTON	1
6	6542020	ROD	1
7	6542040	HEAD	1
8	7680160	O-RING	1
9	7680350	O-RING	2
10	8500540	NUT	1



6541470: ROD AND HEAD ASSEMBLY			
ITEM	PART #	DESCRIPTION	QTY
1	6512110	SEAL GUARD - 3 PC. SET	1
2	6512140	PACKING ROD	3
3	6512150	ADAPTOR, PACKING	1
4	6541450	NUT, PACKING	1
5	6541460	HEAD, ROD END	1

**Figure 5 HYDRAULIC CYLINDER ASSEMBLY**

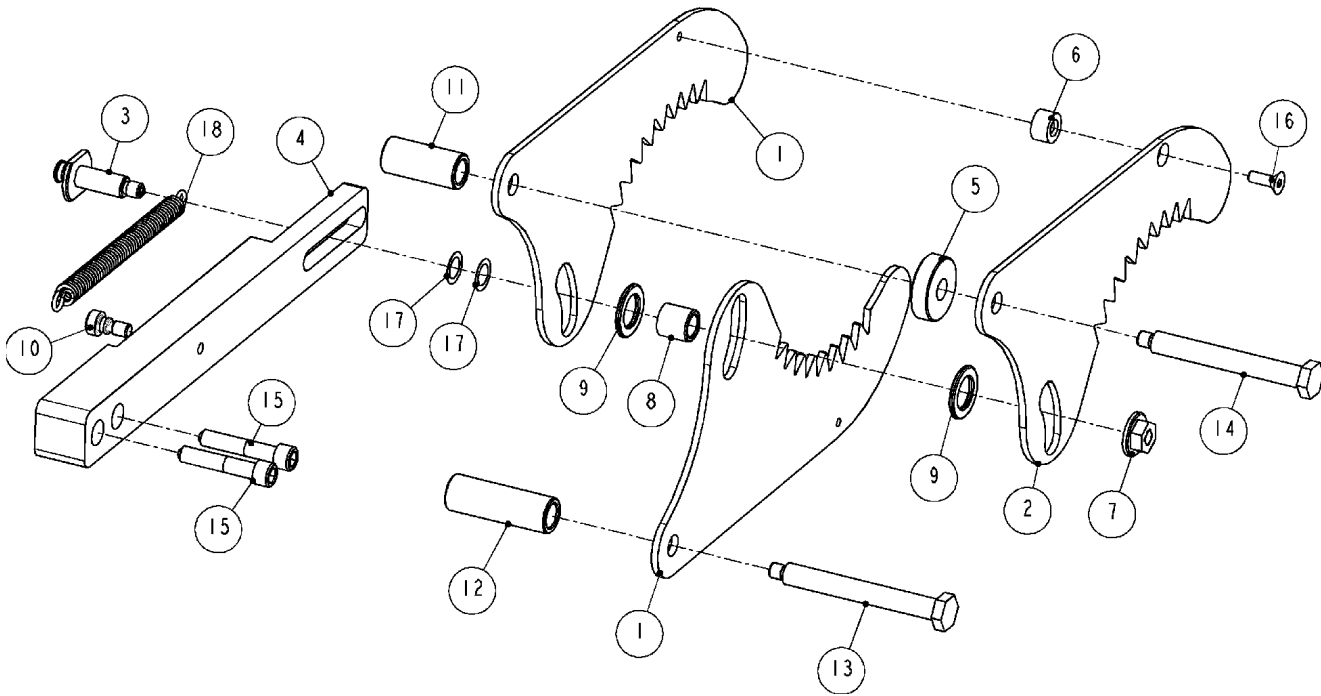


**HANDLES**

<b>6600530: AIR HANDLE</b>			
ITEM	PART #	DESCRIPTION	QTY
1	6300770	VALVE PLUG	1
2	6541690	GUARD	1
3	6541720	RETAINER	1
4	6600340	HANDLE	1
5	6600350	BUSHING	1
6	6600360	VALVE STEM	1
7	6600500	LEVER	1
8	7000010	PLUG	2
9	7036510	ELBOW	2
10	7680080	O-RING	1
11	7680140	O-RING	1
12	8241050	SCREW	1
13	8415160	SCREW	1
14	8500150	NUT	1
15	8505160	WASHER	1
16	8620080	PIN	1
17	8890010	SPRING	1

**Figure 6 AIR HANDLE**

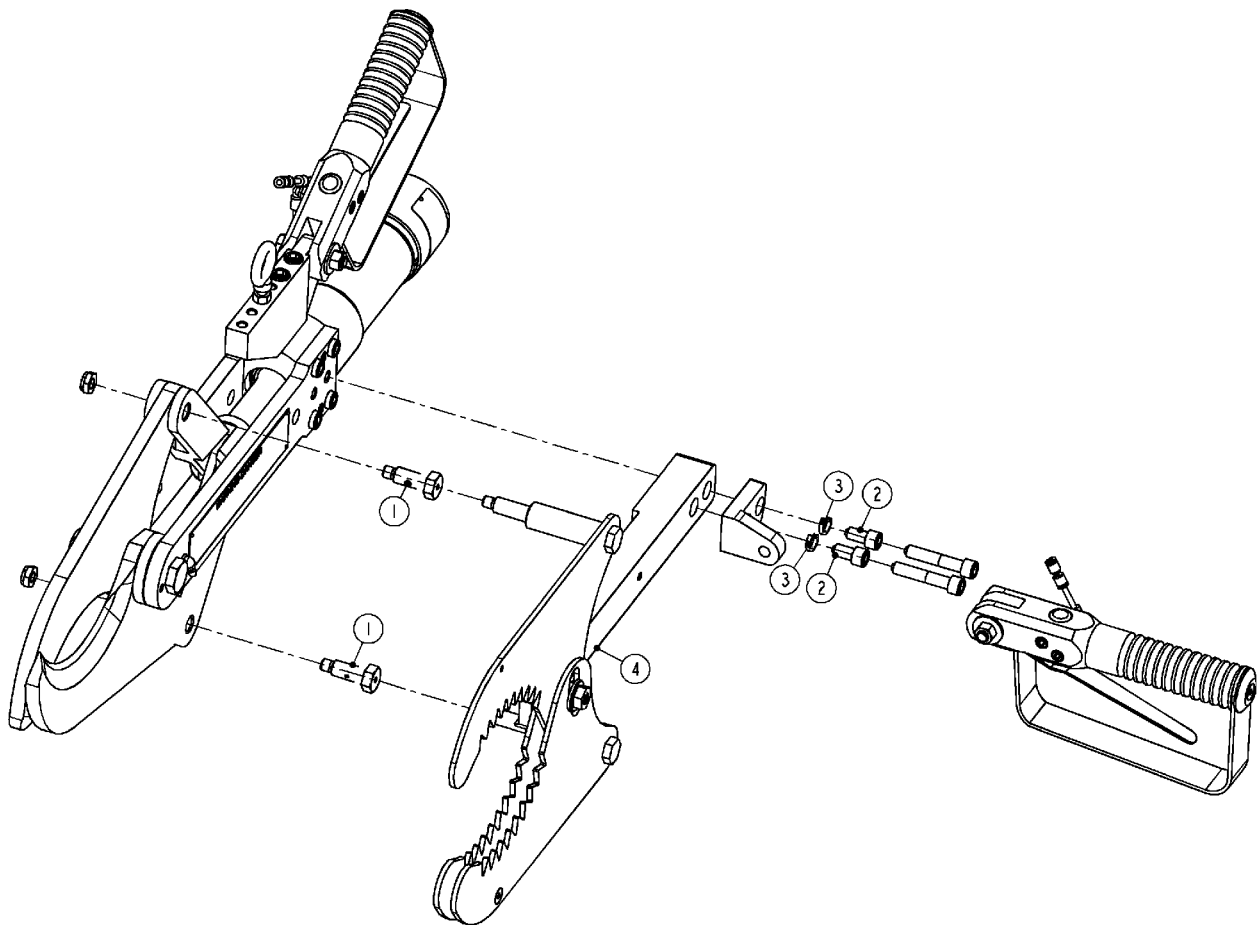
**LEG HOLDER**



<b>6541840: LEG HOLDER ASSEMBLY - OPTIONAL</b>			
<b>ITEM</b>	<b>PART #</b>	<b>DESCRIPTION</b>	<b>QTY</b>
1	6541730	JAW, INSIDE	2
2	6541740	JAW, OUTSIDE	1
3	6541770	PIN, JAW	1
4	6541780	FRAME	1
5	6541790	SPACER	1
6	6541800	SPACER	1
7	6541810	NUT	1
8	6541820	SPACER	1
9	6541830	SPACER	2
10	6541850	SCREW	1
11	6541860	SLEEVE, SHORT	1
12	6541870	SLEEVE, SHORT	1
13	6541880	BOLT - TOP	1
14	6541890	BOLT - BOTTOM	1
15	8215160	SCREW	2
16	8241060	SCREW	1
17	8705010	WASHER	2
18	8895000	SPRING	1

**Figure 7 LEG HOLDER**

## LEG HOLDER INSTALLATION

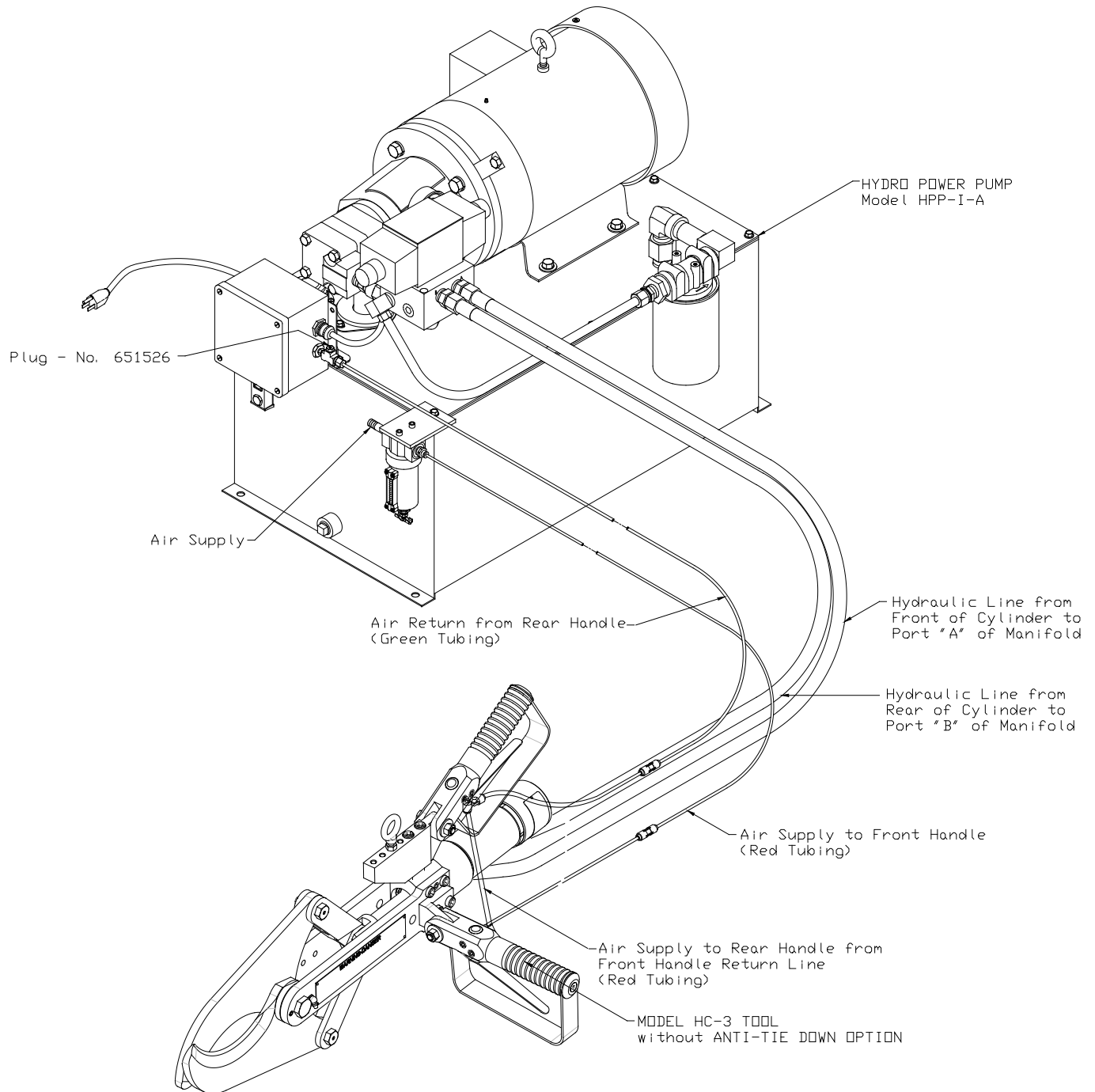


REMOVE ITEMS #1, #2, #3. INSTAL LEG HOLDER, ITEM #4 AS SHOWN.

**Figure 8 LEG HOLDER INSTALLATION**

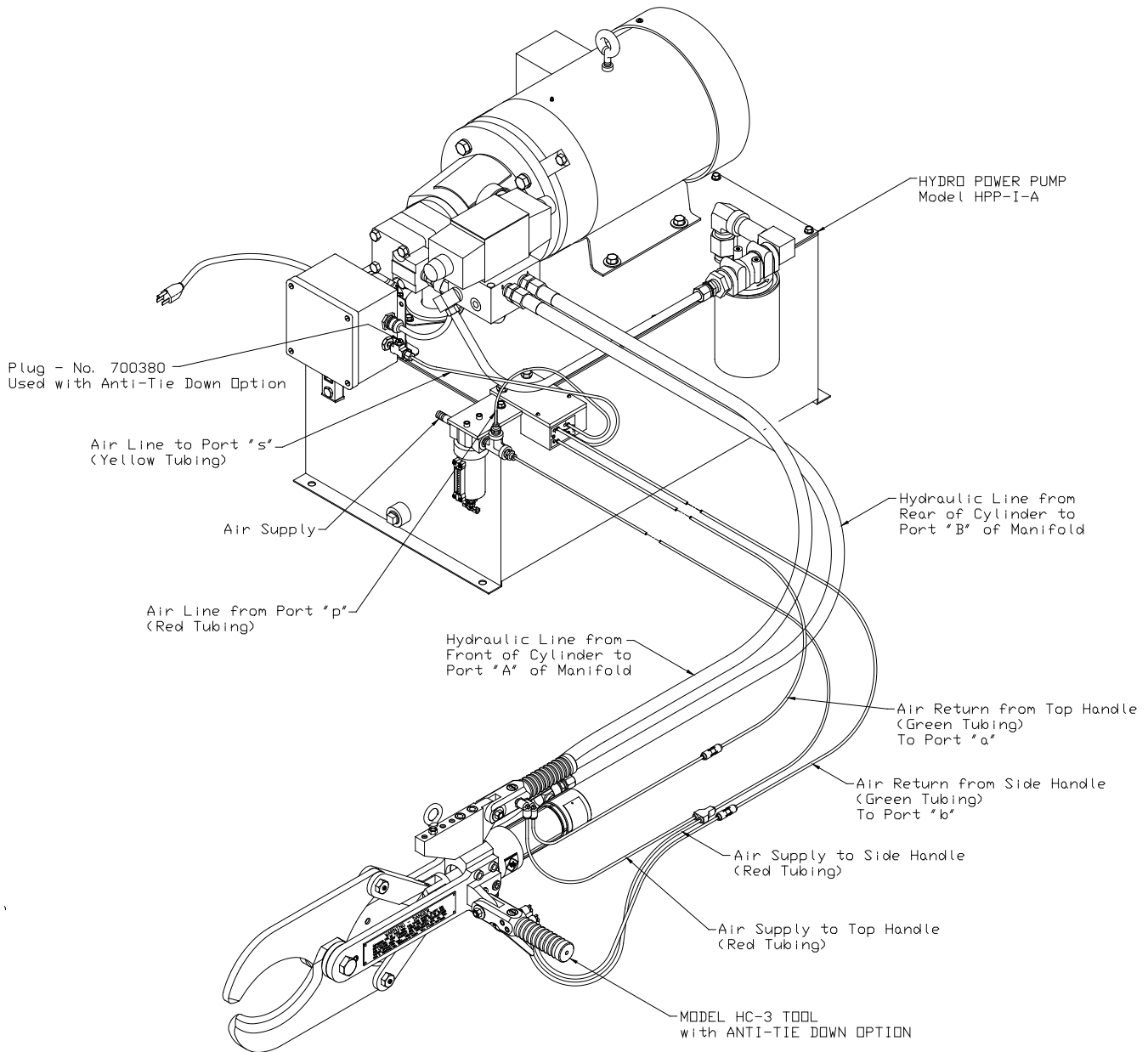
**TUBING DIAGRAM**

**HC-3 TUBING DIAGRAM WITHOUT ANTI-TIE DOWN OPTION**



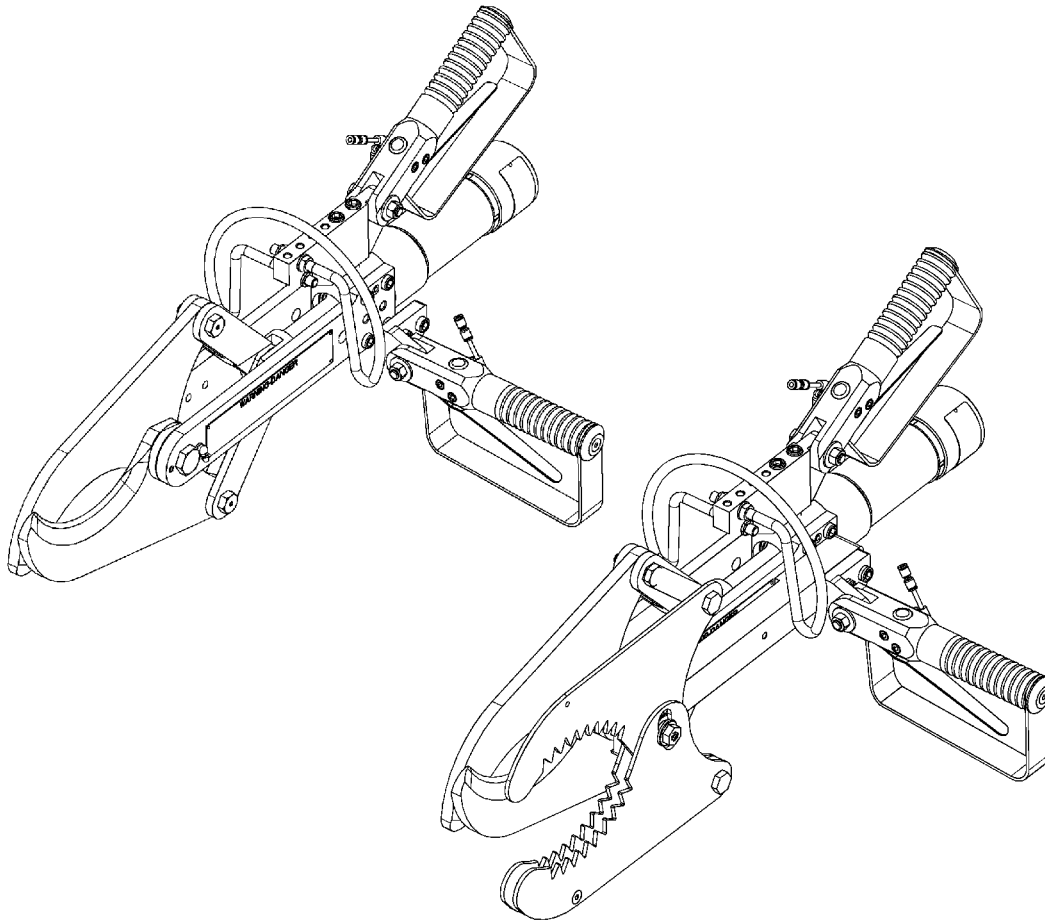
**Figure 9 HC-3 TUBING DIAGRAM WITHOUT ANTI-TIE DOWN**

**HC-3 TUBING DIAGRAM WITH ANTI-TIE DOWN OPTION**



**Figure 10 HC-3 TUBING DIAGRAM WITH ANTI-TIE DOWN**

[ENGLISH]

**GENERAL INFORMATION****MODEL****“HC-3” HYDRAULIC HOCK CUTTER AND DEHORNER****SERVICE CENTERS**

**KENTMASTER LTD. (U.K)**  
 16 AVONBANK INDUSTRIAL CENTRE  
 WEST TOWN ROAD  
 AVONMOUTH - BRISTOL BS11 9DE  
 UNITED KINGDOM

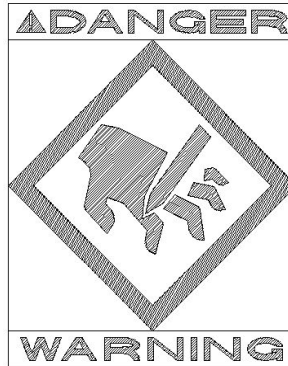
☎ TELEPHONE: ++ 44- (0) 117- 9235035  
 FAX: ++ 44- (0) 117- 9829010

**KENTMASTER MFG. CO., INC.**  
 1801 SOUTH MOUNTAIN AVE.  
 MONROVIA, CALIFORNIA 91016  
 UNITED STATES OF AMERICA

☎ TELEPHONE: (626) 359-8888  
 FAX: (626) 303-5151

**NOTICE TO EMPLOYER AND PURCHASER OF TOOL**  
**NOTICE TO SAFETY DIRECTOR**

**You have purchased a powerful tool that, if misused, can cause severe injury and harm to your employees. You must instruct your employees in the safe and proper use of this tool and to follow the safety procedures and instructions that have been supplied by the manufacturer of this tool. Please follow the following instructions.**



1. Instruct tool operators to test the tool each day before using it to be sure it does not malfunction. Remove and repair any tool that malfunctions.
2. Instruct tool operators to immediately stop using a tool that malfunctions or is defective.
3. Instruct personnel to immediately remove all tools that malfunction. Be sure to disconnect tool from power supply.
4. Instruct all personnel to stay clear of tool, and not to stand or walk in front of, or next to tool when in use.
5. Point out to all personnel the dangers related to the misuse of tool and the importance of following safety procedures and instructions.
6. Do not make, or allow others to make, alterations or modifications to this tool. Replace all lost or illegible labels.
7. Follow all safety, installation and maintenance instructions provided with this tool. Establish proper safety procedures in accordance with local and national requirements to prevent accidental energizing of tool that can cause injuries.
8. If this tool is sold or change in ownership takes place, you must provide the new owner all safety instructions, notices and maintenance instructions you were originally provided. You can obtain additional copies of the instructions from Kentmaster, free of charge upon request.
9. Give copies of instructions to:
  - (A) Tool Operators**
  - (B) Maintenance Supervisor**
  - (C) Clean-up Supervisor**

## GENERAL INFORMATION

COVERING: SAFETY PRECAUTIONS AND PLACING INTO SERVICE  
**HYDRAULIC HOCK CUTTER AND DEHORNER**

**READ THIS MANUAL CAREFULLY BEFORE INSTALLING, OPERATING OR SERVICING THIS TOOL**

IT IS THE RESPONSIBILITY OF THE EMPLOYER TO PLACE THIS INFORMATION INTO THE HANDS OF THE OPERATOR.

### **PLACING INTO SERVICE**



**WARNING**

= Hazards or unsafe practices which could result in severe personal injury, death or substantial property damage.



**CAUTION**

= Hazards or unsafe practices which could result in minor personal injury, product or property damage.



**NOTICE**

= Important installation, operation or maintenance information.



**WARNING**

Installation, adjustment repair and maintenance of this tool must be made by trained and qualified personnel.



**WARNING**

Always disconnect power supply from tool before:

- (A) Installing or removing blade from tool.
- (B) Making repairs or adjustments to the tool.
- (C) performing maintenance or cleanup work.



## Kentmaster Worldwide Location

Kentmaster Equipment (Aust) PTY.LTD.

Unit 2,24 Central Court  
Browns Plains Qld. 4118  
Australia

Telephone: (07) 3806-8400

Fax: (07) 3806-7933

[Australia@Kentmaster.com](mailto:Australia@Kentmaster.com)

---

Kentmaster do Brasil, Ltda.

Av. Dr. Joao Teodoro No. 805  
Bairro De Vila Rezende  
13405-240 Piracicaba, SP,  
Brazil

Telephone #1: (019) 3 413 3113

Telephone #2: (019)983-4973

Fax: (019) 3 413 3113

[Brazil@Kentmaster.com](mailto:Brazil@Kentmaster.com)

---

Kentmaster (IRL) LTD.

Benamore, Dublin Road.  
Roscrea,  
CO, Tipperary,  
Ireland

Telephone: (353) 0505-23292

Fax: (353) 0505-23299

[Ireland@Kentmaster.com](mailto:Ireland@Kentmaster.com)

---

Kentmaster Equipment (NZ) LTD.

5 Cooper Street  
Havelock North  
New Zealand

Telephone #1: (64) 6 8777 857

Telephone #2: 0800 KENTMASTER

Fax: (64) 6 8777 858

[NewZealand@Kentmaster.com](mailto:NewZealand@Kentmaster.com)

---

Kentmaster South Africa (PTY) LTD.

Johannesburg - S. Africa  
Unit 54 Sunnyrock Park  
Sunrock Close, Germiston  
South Africa

Telephone: (27) 11-455-3748

Fax: (27) 11-455-3749

[SouthAfrica@Kentmaster.com](mailto:SouthAfrica@Kentmaster.com)

---

Kentmaster (UK ) LTD.

Unit 16 Avonbank Ind. Centre  
West Town Rd, Avonmouth-Bristol,  
BS11 9DE  
England

Telephone: (44) 117-923-5035

Fax: (44)-117-932-9010

[UK@Kentmaster.com](mailto:UK@Kentmaster.com)

---

Kentmaster Mfg. Co., Inc.

1801 South Mountain Ave.  
Monrovia, CA, 91016  
USA

Telephone #1: (626) 359-8888

Telephone #2: (800) 421-1477

Fax: (626) 303-5151

[info@Kentmaster.com](mailto:info@Kentmaster.com)

---

Kentmaster Omaha

4417 South 139th Street  
Omaha, NE, 68137  
USA

Telephone #1: (402) 896-3355

Telephone #2: (800) 367-3181

Fax: (402) 896-3311

[Omaha@Kentmaster.com](mailto:Omaha@Kentmaster.com)

---

**INDEX**

**OPERATING AND SAFETY INSTRUCTIONS**..... 2

**OPERATING INSTRUCTIONS**..... 3

**MAINTENANCE**..... 3

**SERVICE**..... 3

**PARTS BOOK**..... 5

**HC-3, HOCK CUTTER AND DEHORNER**..... 5

        HC-3, REPLACEMENT BUSHINGS FOR BLADES AND LINKS..... 7

**HYDRAULIC CYLINDER ASSEMBLY**..... 8

**HANDLES**..... 9

**LEG HOLDER**..... 10

        LEG HOLDER INSTALLATION..... 11

**TUBING DIAGRAM**..... 12

        HC-3 TUBING DIAGRAM WITHOUT ANTI-TIE DOWN OPTION ..... 12

        HC-3 TUBING DIAGRAM WITH ANTI-TIE DOWN OPTION ..... 13

**NOTICE TO EMPLOYER AND PURCHASER OF TOOL**..... 15

**GENERAL INFORMATION**..... 16

*Kentmaster Worldwide Location* ..... 17

**INDEX**..... 18

**FIGURES - INDEX**..... 18

**FIGURES - INDEX**

Figure 1 MODEL HC-3 – BLADE REPLACEMENT ..... 4

Figure 2 MODEL “HC-3” – MAIN ASSEMBLY..... 5

Figure 3 BOM FOR MODEL “HC-3”..... 6

Figure 4 HC-3, BUSHINGS FOR BLADES AND LINKS..... 7

Figure 5 HYDRAULIC CYLINDER ASSEMBLY ..... 8

Figure 6 AIR HANDLE..... 9

Figure 7 LEG HOLDER..... 10

Figure 8 LEG HOLDER INSTALLATION ..... 11

Figure 9 HC-3 TUBING DIAGRAM WITHOUT ANTI-TIE DOWN ..... 12

Figure 10 HC-3 TUBING DIAGRAM WITH ANTI-TIE DOWN..... 13