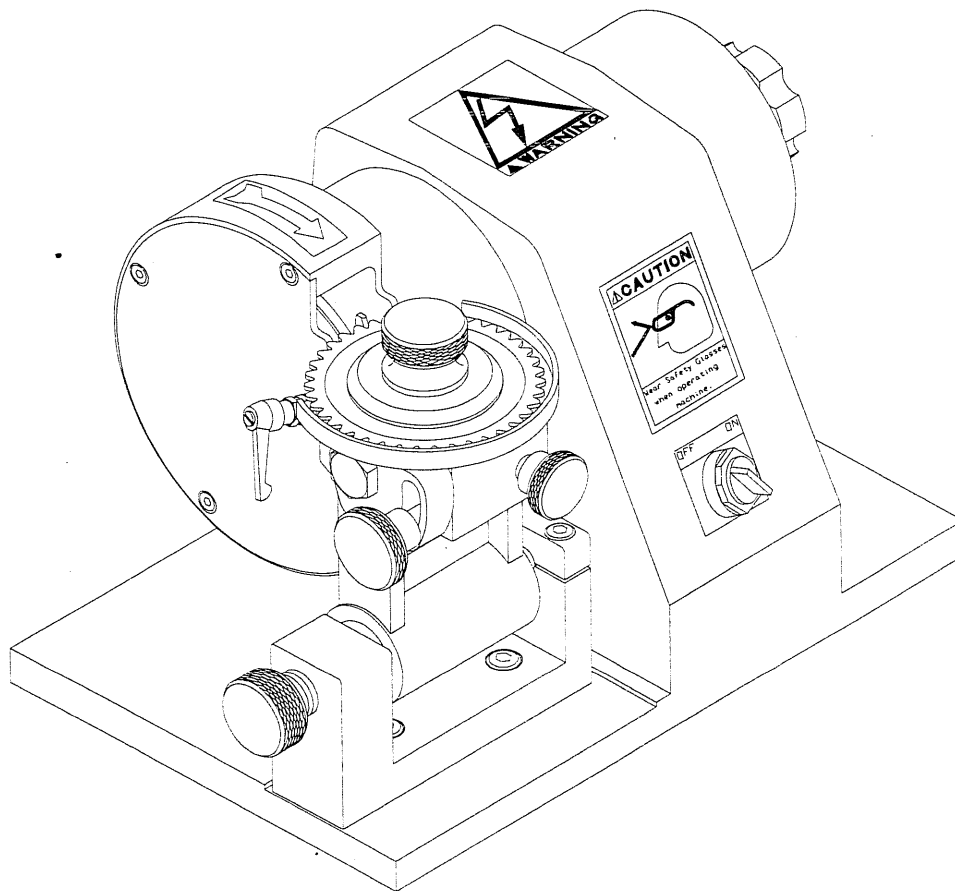


OPERATOR'S MANUAL

INCLUDING: OPERATION, INSTRUCTION, INSTALLATION AND MAINTENANCE

**IMPORTANT: READ THIS MANUAL CAREFULLY BEFORE INSTALLING, OPERATING
OR SERVICING THIS TOOL.**

QUIKSET-1 **BLADE GRINDER and RECONDITIONER**



KENTMASTER LTD. (U. K)
16 AVONBANK INDUSTRIAL CENTRE
WEST TOWN ROAD
AVONMOUTH - BRISTOL BS11 9DE
UNITED KINGDOM

☎ TELEPHONE: ++ 44- (0) 117- 9235035
FAX : ++ 44- (0) 117- 9829010

KENTMASTER MFG. CO., INC.
1801 SOUTH MOUNTAIN AVE.
MONROVIA, CALIFORNIA 91016
UNITED STATES OF AMERICA

☎ TELEPHONE: (818) 359-8888
FAX: (818) 303-5151

⚠ WARNING = Hazards or unsafe practices which could result in severe personal injury, death or substantial property damage.

⚠ CAUTION = Hazards or unsafe practices which could result in minor personal injury, product or property damage.

⚠ NOTICE = Important installation, operation or maintenance information.

OPERATING AND SAFETY INSTRUCTIONS

⚠ WARNING DO NOT OPERATE THIS MACHINE UNTIL YOU HAVE READ AND UNDERSTOOD THE SAFETY INSTRUCTIONS AND OPERATING MANUALS.

⚠ WARNING DO NOT OPERATE THIS TOOL UNTIL YOU HAVE RECEIVED TRAINING IN THE HANDLING, OPERATION AND USE OF THIS MACHINE.

⚠ WARNING STOP USING A MALFUNCTIONING OR DEFECTIVE MACHINE IMMEDIATELY. REPORT ANY PROBLEMS OR DEFECTS TO YOUR SUPERVISOR FOR REMOVAL OF THE MACHINE FROM SERVICE.

⚠ WARNING DO NOT ATTEMPT TO REPAIR THE MACHINE YOURSELF.

⚠ WARNING DO NOT ALLOW UNAUTHORIZED PERSONS TO USE MACHINE.

⚠ WARNING NEVER TIE DOWN, BYPASS, ALTER OR MODIFY THE ACTIVATING SWITCHES OR TRIGGERS OF THIS MACHINE.

⚠ WARNING NEVER MAKE ALTERATIONS OR MODIFICATIONS TO THIS MACHINE.

⚠ WARNING BE CONSTANTLY AWARE AND ALERT FOR UNSAFE CONDITIONS AND REPORT THEM IMMEDIATELY TO YOUR SUPERVISOR.

⚠ WARNING NEVER PLACE YOUR HAND OR ANY PART OF YOUR BODY IN THE CUTTING PATH OF THE MACHINE.

⚠ WARNING NEVER ALLOW ANYONE ELSE TO PLACE THEIR HANDS OR ANY PART OF THEIR BODY IN THE CUTTING PATH OF THE MACHINE.

⚠ WARNING DO NOT ACTIVATE CONTROL SWITCHES OR TRIGGERS OF THIS MACHINE UNLESS YOU INTEND TO TEST OR OPERATE THIS MACHINE.

⚠ WARNING DO NOT USE THIS MACHINE FOR ANY OTHER PURPOSE OTHER THAN IT'S INTENDED PURPOSE.

⚠ CAUTION BE SURE TO WEAR THE PROTECTIVE GEAR AND SAFETY EQUIPMENT SUPPLIED TO YOU WHEN OPERATING THIS MACHINE.

OPERATING INSTRUCTIONS

WARNING ONLY TRAINED PERSONNEL ARE TO OPERATE THIS MACHINE.

NOTICE ALWAYS KEEP DEHIDER BLADES AS MATCHED SETS.

A. FOR HOLLOW GRIND:

1. CLEAN MAGNET SURFACE ON HOLLOW GRIND HANDLE ASSEMBLY, ITEM 39.
2. PLACE ONE (1) DEHIDER BLADE, WITH HOLLOW SIDE OUT, ON HOLLOW GRIND HANDLE ASSEMBLY.

WARNING ENSURE MAGNETS, FIG. 2, ITEM 42, ON HOLLOW GROUND HANDLE ASSEMBLY ARE HOLDING DEHIDER BLADE IN PLACE

3. TURN POWER ON.
4. SLIDE HOLLOW GRIND HANDLE ONTO MOTOR SHAFT, ITEM 32.
5. USING LIGHT PRESSURE, PUSH HOLLOW GRIND HANDLE ASSEMBLY AGAINST HOLLOW GRIND WHEEL, ITEM 37 - FIGURE 2, FOR ABOUT THREE (3) SECONDS.
6. SLIDE HOLLOW GRIND HANDLE ASSEMBLY, OFF MOTOR SHAFT. EXAMINE DEHIDER BLADE AND REPEAT STEPS A4-A6 UNTIL HOLLOW GRIND EXTENDS TO TIP OF DEHIDER BLADE TEETH.
7. REPEAT STEPS A1-A6 WITH REMAINING DEHIDER BLADE.
8. **TURN POWER OFF.**

B. FOR SHARPENING and DUBBING

1. PLACE ONE DEHIDER BLADE, WITH HOLLOW SIDE UP, ON SPINDLE, ITEM 60.
2. WITH LOCATING FINGER, ITEM 79, LINED UP BETWEEN DEHIDER TEETH, TIGHTEN BLADE RETAINING FLANGE, ITEM 58, TO LOCK DEHIDER BLADE IN PLACE.
3. ROTATE INDEX BLOCK, ITEM 76, COUNTERCLOCKWISE AS FAR AS POSSIBLE. TIGHTEN CLAMPING KNOB, ITEM 45, TO LOCK INDEX BLOCK IN PLACE (REFER TO FIGURE 3).
4. TO ADJUST FOR GRINDING:
 - A. TURN ADJUSTMENT SCREW, ITEM 75, CLOCKWISE UNTIL DEHIDER BLADE NO LONGER TOUCHES GRINDING WHEEL, ITEM 8.
 - B. TURN POWER ON.
 - C. ROTATE SWING ARM, ITEM 52, TOWARD GRINDING WHEEL, ITEM 8.
 - D. TURN ADJUSTMENT SCREW, ITEM 75, COUNTERCLOCKWISE UNTIL DEHIDER BLADE JUST TOUCHES GRINDING WHEEL, ITEM 8.
5. JUST TAP DEHIDER BLADE TOOTH AGAINST GRINDING WHEEL 2-3 TIMES, OR AS NEEDED.
6. ROTATE DEHIDER BLADE ONE (1) TOOTH:
 - A. TURN CLAMPING HANDLE, ITEM 68, AND HOLD TO DISENGAGE LOCATING FINGER, ITEM 79, FROM DEHIDER BLADE.
 - B. ROTATE BLADE RETAINING FLANGE, ITEM 58, ONE TOOTH.
 - C. RELEASE CLAMPING HANDLE, ITEM 68. THIS ENGAGES LOCATING FINGER, ITEM 79, IN NEXT TOOTH.
7. REPEAT STEPS 5 THRU 6C FOR REMAINING DEHIDER BLADE TEETH.
8. TO ADJUST FOR DUBBING:
 - A. ROTATE INDEX BLOCK, ITEM 76, CLOCKWISE AS FAR AS POSSIBLE. TIGHTEN CLAMPING KNOB, ITEM 45, TO LOCK INDEX BLOCK IN PLACE (REFER TO FIGURE 3).
9. ROTATE SWING ARM, ITEM 52, TOWARD GRINDING WHEEL, ITEM 8, UNTIL BLADE COMES INTO CONTACT WITH GRINDING WHEEL, ITEM 8.
10. ROTATE DEHIDER BLADE ONE TOOTH (REFER TO STEP 26A-6C).
11. REPEAT STEPS I-J FOR REMAINING DEHIDER BLADE TEETH.
12. **TURN OFF POWER.**
13. REMOVE DEHIDER BLADE AND REPLACE WITH REMAINING DEHIDER BLADE OF MATCHED SET.
14. FOLLOW STEPS 1-3.
15. **DO NOT FOLLOW STEP 4A. ADJUSTMENT SCREW, ITEM 75, MUST MAINTAIN THE SAME POSITION FOR BOTH BLADES OF MATCHED SET.**
16. FOLLOW STEPS 4B-4C.
17. **DO NOT FOLLOW STEP 4D. ADJUSTMENT SCREW, ITEM 75, MUST MAINTAIN THE SAME POSITION FOR BOTH BLADES OF MATCHED SET.**
18. FOLLOW STEPS 5-12.

C. FOR DEBURRING:

1. FOLLOW STEPS A1-A4 OF ABOVE SECTION "FOR HOLLOW GRIND."
2. PRESS BLADE HOLDER, ITEM 44, AGAINST HOLLOW GRIND WHEEL, ITEM 37, FOR JUST A SPLIT SECOND.
3. REPEAT STEPS C1 AND C2 WITH REMAINING BLADE OF MATCHED SET.
4. **TURN OFF POWER.**

MAINTENANCE



ALWAYS DISCONNECT POWER SUPPLY FROM MACHINE BEFORE PERFORMING MAINTENANCE, MAKING REPAIRS OR ADJUSTMENTS TO THE MACHINE.



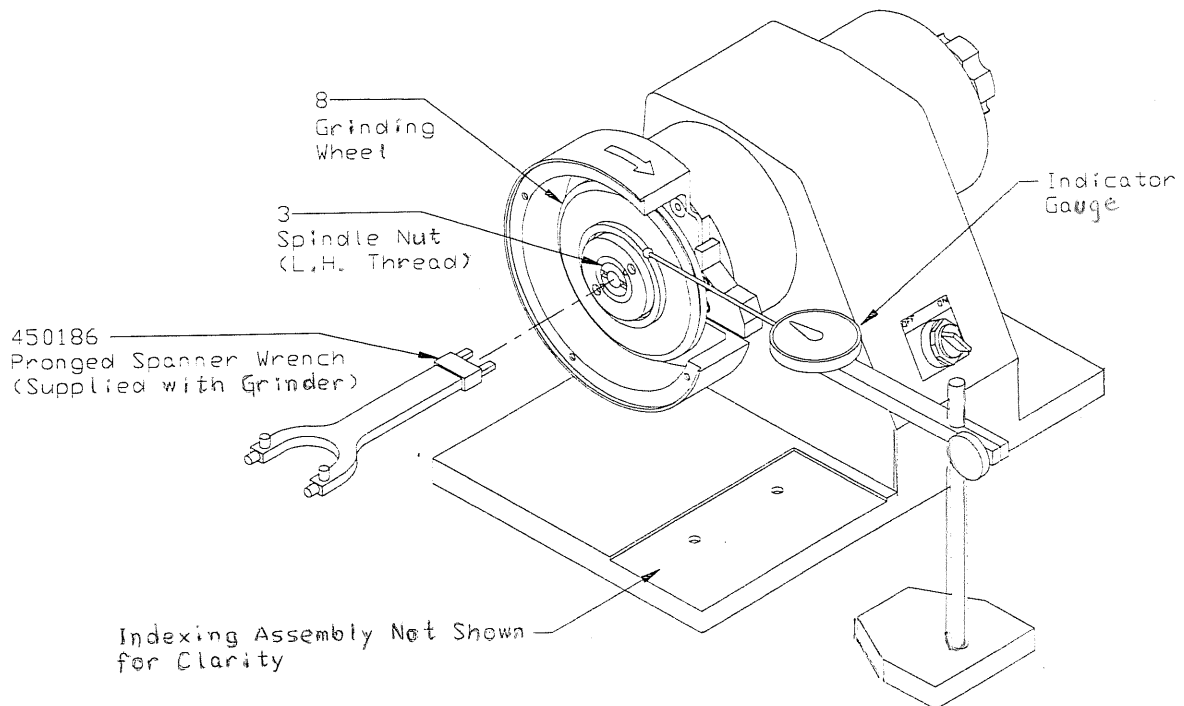
ONLY TRAINED AND QUALIFIED PERSONNEL ARE TO PERFORM MAINTENANCE AND SERVICE TO THIS MACHINE.

1. TO REMOVE GRINDING WHEEL:

- A. USING A 3MM HEX WRENCH, REMOVE FLAT HEAD SCREWS (4), ITEM 1. REMOVE GUARD COVER, ITEM 2.
- B. USING PRONGED SPANNER WRENCH (NO. 450186 - SUPPLIED WITH MACHINE), REMOVE ADAPTOR NUT, ITEM 5.
- C. PULL OFF ADAPTOR WASHER AND GRINDING WHEEL, ITEMS 6 AND 8.

2. TO INSTALL GRINDING WHEEL:

- A. ASSEMBLE GRINDING WHEEL, ITEM 8, ONTO COMPLETE ADAPTOR, ITEM 4.
- B. SLIDE ASSEMBLY OF GRINDING WHEEL AND COMPLETE ADAPTOR, ITEMS 8 AND 4, ONTO MOTOR SHAFT, ITEM 32.
- C. SCREW SLOTTED SPINDLE NUT, ITEM 3 ONTO END OF MOTOR SHAFT, ITEM 32. DO NOT TIGHTEN SPINDLE NUT.
- D. WITH AN INDICATOR PLACED ON SHOULDER OF GRINDING WHEEL, ITEM 8, CHECK THAT RUNOUT IS WITHIN .002" (SEE BELOW).
- E. WHEN GRINDING WHEEL RUNOUT IS WITHIN TOLERANCE, TIGHTEN SLOTTED SPINDLE NUT, ITEM 3, USING THE PRONGED SPANNER WRENCH.
- F. ROTATE INDEXING ASSEMBLY, ITEMS 58-81, TO TOP OF SLOT IN SWING ARM, ITEM 52. LOCK IN PLACE WITH CLAMPING KNOB, ITEM 45. REFER TO FIGURE 3.
- C. TURN POWER ON.
- D. ROTATE INDEXING ASSEMBLY SO THAT DEHIDER BLADE MAKES CONTACT WITH GRINDING WHEEL, ITEM 8.
- E. **TURN POWER OFF.**
- F. VERIFY DUB IS CENTERED ON TOOTH. IF NOT CENTERED, USING A 24MM WRENCH AND 6MM HEX WRENCH, LOOSEN HEX NUT AND SOCKET HEAD SCREW, ITEMS 38 AND 54. ADJUST SWING ARM SHAFT, ITEM 57, UNTIL DUB IS CENTERED ON TOOTH. RETIGHTEN HEX NUT AND SOCKET HEAD SCREW.



MAINTENANCE

3. TO REMOVE HOLLOW GRIND WHEEL:

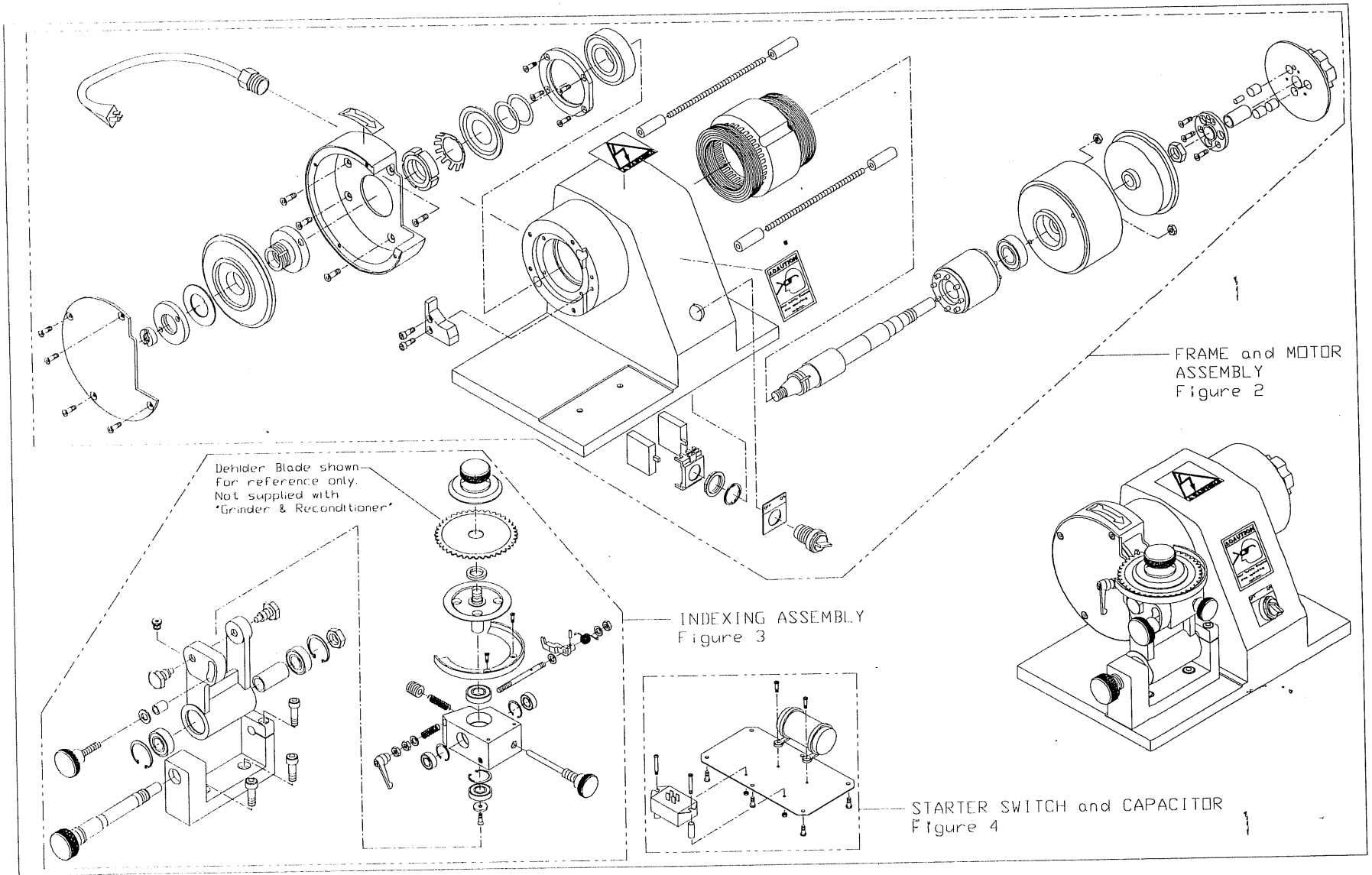
- A. USING A 3MM HEX WRENCH, REMOVE FLAT HEAD SCREWS (4), ITEM 1. REMOVE GUARD COVER, ITEM 2.
- B. INSERT THE PRONGED SPANNER WRENCH INTO ADAPTOR NUT, ITEM 5. WHILE HOLDING THE PRONGED SPANNER WRENCH, (THIS PREVENTS THE MOTOR SHAFT, ITEM 32, FROM TURNING) REMOVE HEX NUT, ITEM 38, USING A 24MM WRENCH.
- C. REMOVE HOLLOW GRIND WHEEL, ITEM 37.

4. TO INSTALL HOLLOW GRIND WHEEL:

- A. REVERSE STEPS 3A-3C.

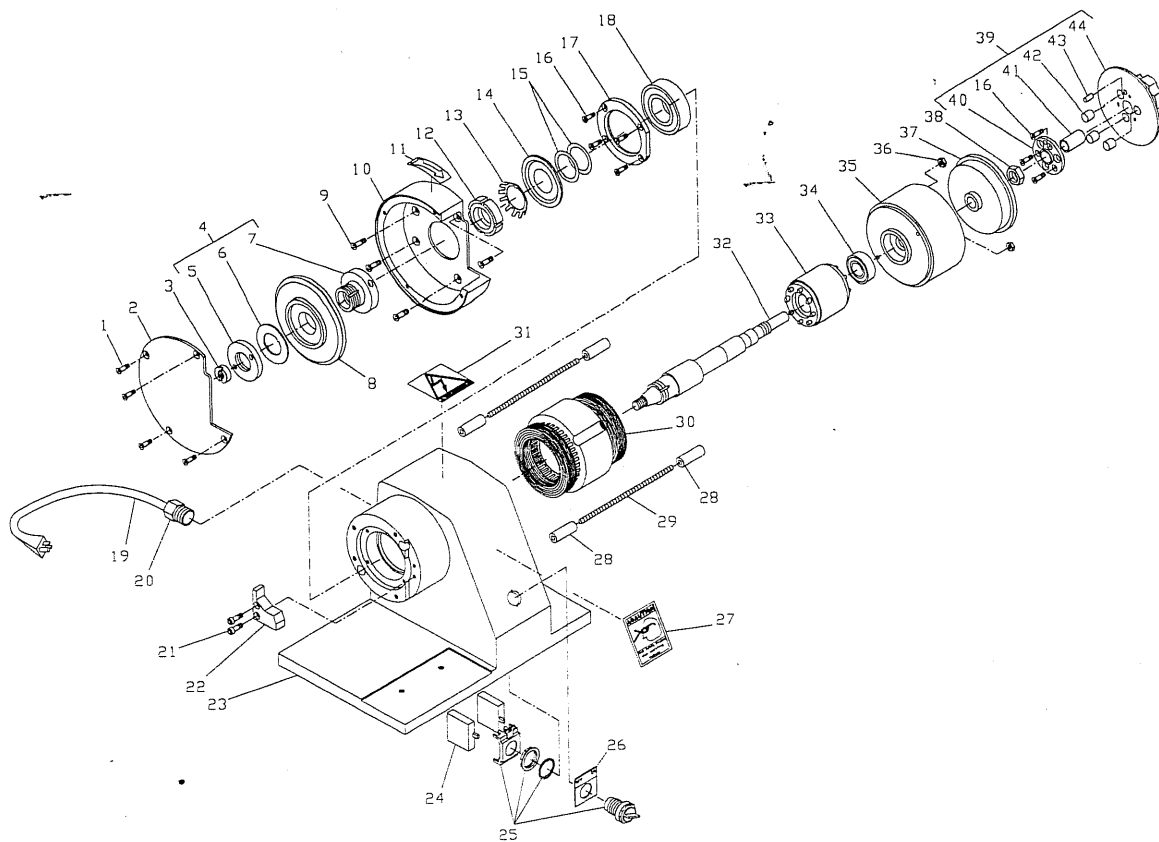
SERVICE

1. KEEP GOOD RECORDS OF ALL SERVICE ACTIVITY AND INCLUDE MACHINE IN PREVENTIVE MAINTENANCE PROGRAM.
2. USE ONLY GENUINE KENTMASTER REPLACEMENT PARTS TO ASSURE PROPER PERFORMANCE OF MACHINE.
3. CONTACT THE KENTMASTER SUPPLIER NEAREST YOU FOR PARTS AND CUSTOMER SERVICE INFORMATION.



BLADE GRINDER and RECONDITIONER MODEL QUIKSET-I

Figure 1



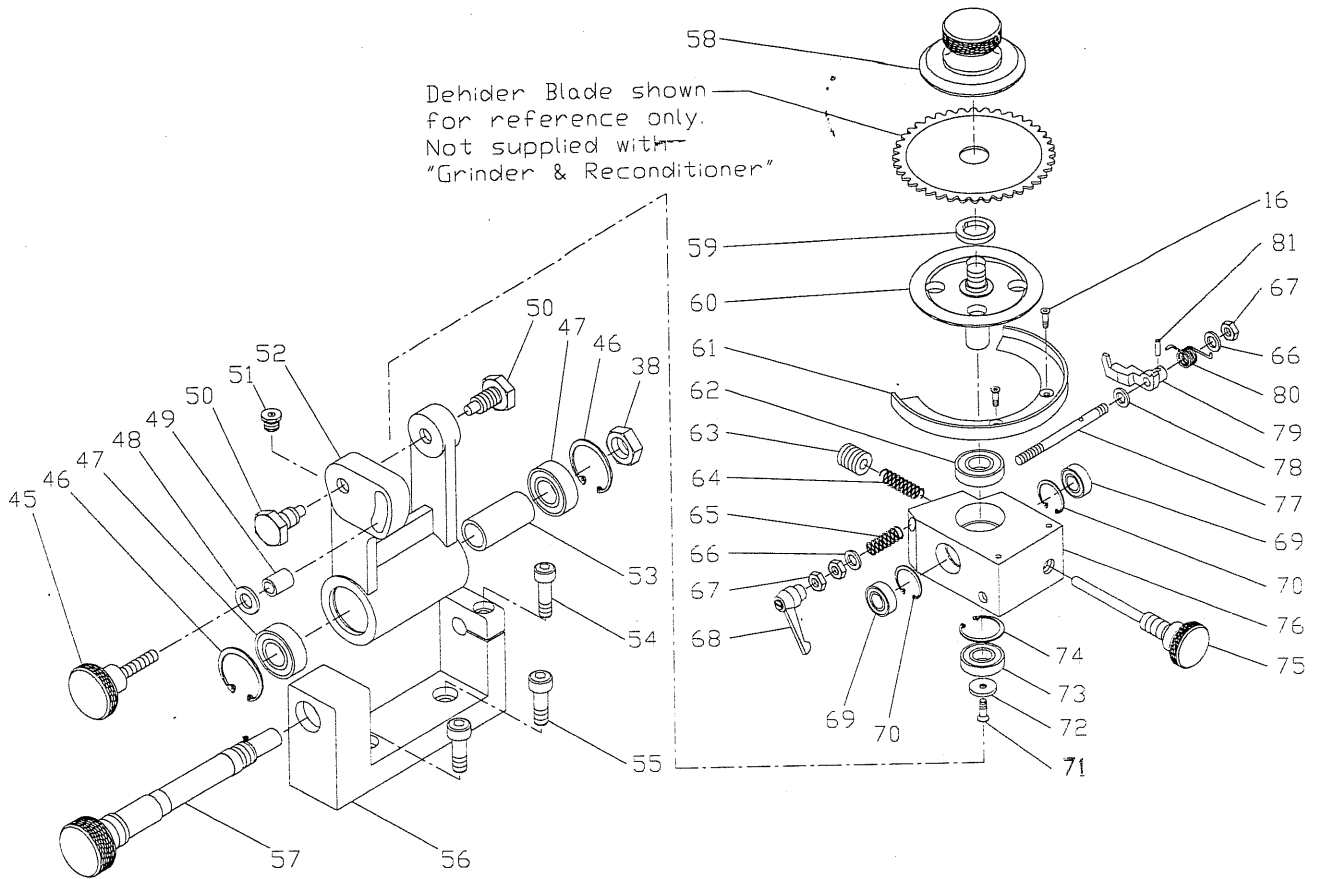
ITEM	PART NO.	DESCRIPTION	QTY
1	923904 .	Screw	4
2	631037 .	Cover	1
3	631050 .	Nut (Left Hand Thread)	1
4	631045 .	Adaptor (Consists of items 5-7)	1
5	631048 .	Nut	1
6	631047 .	Washer	1
7	631046 .	Adaptor	1
8	631014 .	Wheel	1
9	924105 .	Screw	4
10	631036 .	Guard	1
11	450508	Label	1
12	300113 .	Locknut	1
13	300010 .	Lockwasher	1
14	300205 .	Ring	1
15	870581 .	Shim	2
16	923804 .	Screw	7
17	631030 .	Flange	1
18	330406 .	Bearing	1
19	200700 .	Plug Assy, Cord and (115V)	1
20	200129 .	Connector	1
21	921105 .	Screw	2
22	631038 .	Block	1

ITEM	PART NO.	DESCRIPTION	QTY
23	631015 .	Frame	1
24	200931 .	Block	2
25	200929 .	Knob	1
26	200932 .	Plate	1
27	450509	Label	1
28	631032 .	Sleeve	4
29	631044 .	Rod	2
30	232005 .	Stator	1
31	450503	Label	1
32	631016 .	Shaft	1
33	232305 .	Rotor	1
34	312404 .	Bearing	1
35	631021 .	Guard	1
36	950009 .	Nut	2
37	631013 .	Wheel	1
38	950024 .	Nut	1
39	631018 .	Handle Assy (Consists of items 40- 44, and (3) of item 16)	1
40	631022 .	Flange	1
41	631024 .	Bushing	1
42	889625 .	Magnet	3
43	862044 .	Pin	1
44	631023 .	Holder	1

FRAME and MOTOR ASSEMBLY

Figure 2

Dehider Blade shown
for reference only.
Not supplied with
"Grinder & Reconditioner"

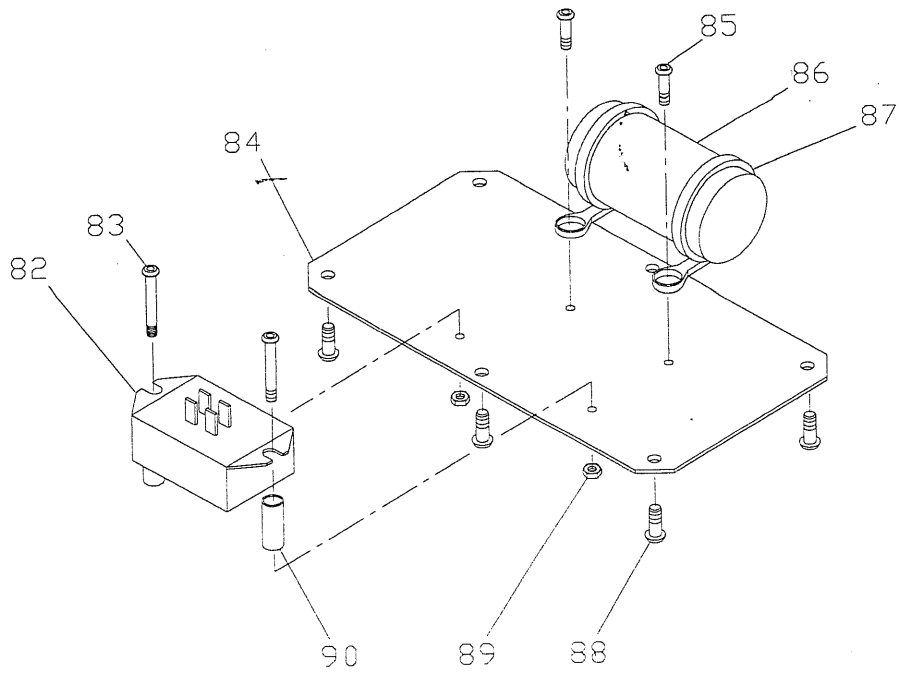


EM	PART NO.	DESCRIPTION	QTY
16	923804	Screw	2
38	950024	Nut	1
45	889628	Knob	1
46	500137	Ring	2
47	312303	Bearing	2
48	850561	Washer	1
49	631042	Bushing	1
50	631019	Screw	2
51	701815	Fitting (Flush Type)	1
52	631026	Arm	1
53	631025	Spacer	1
54	921308	Screw	1
55	921506	Screw	2
56	631043	Yoke	1
57	631020	Shaft	1
58	631017	Flange	1
59	630058	Spacer	1
60	631027	Spindle	1
61	631031	Guard	1

ITEM	PART NO.	DESCRIPTION	QTY
62	312402	Bearing	1
63	631052	Holder	1
64	889003	Spring	1
65	889004	Spring	1
66	620120	Washer	2
67	950011	Nut	3
68	889627	Handle	1
69	307437	Bearing	2
70	500086	Ring, Retaining	2
71	923905	Screw	1
72	631041	Washer	1
73	310402	Bearing	1
74	500106	Ring, Retaining	1
75	631028	Screw	1
76	631040	Block	1
77	631034	Shaft	1
78	631054	Spacer	1
79	631039	Finger	1
80	631029	Spring	1
81	861208	Pin	1

INDEXING ASSEMBLY

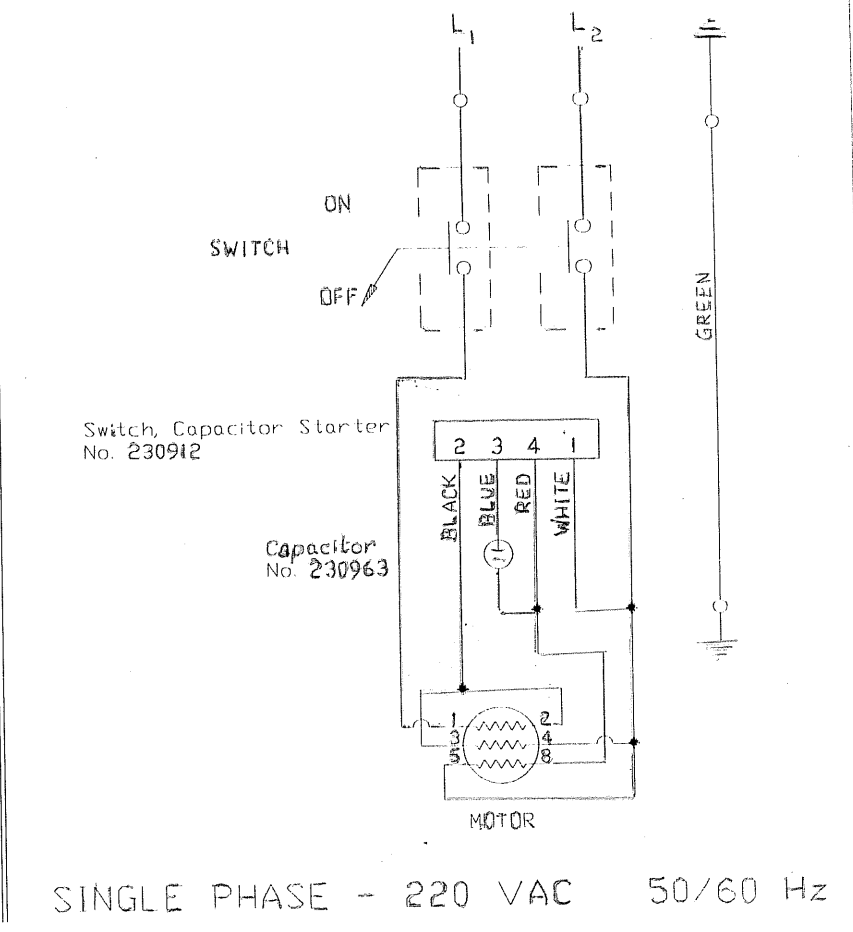
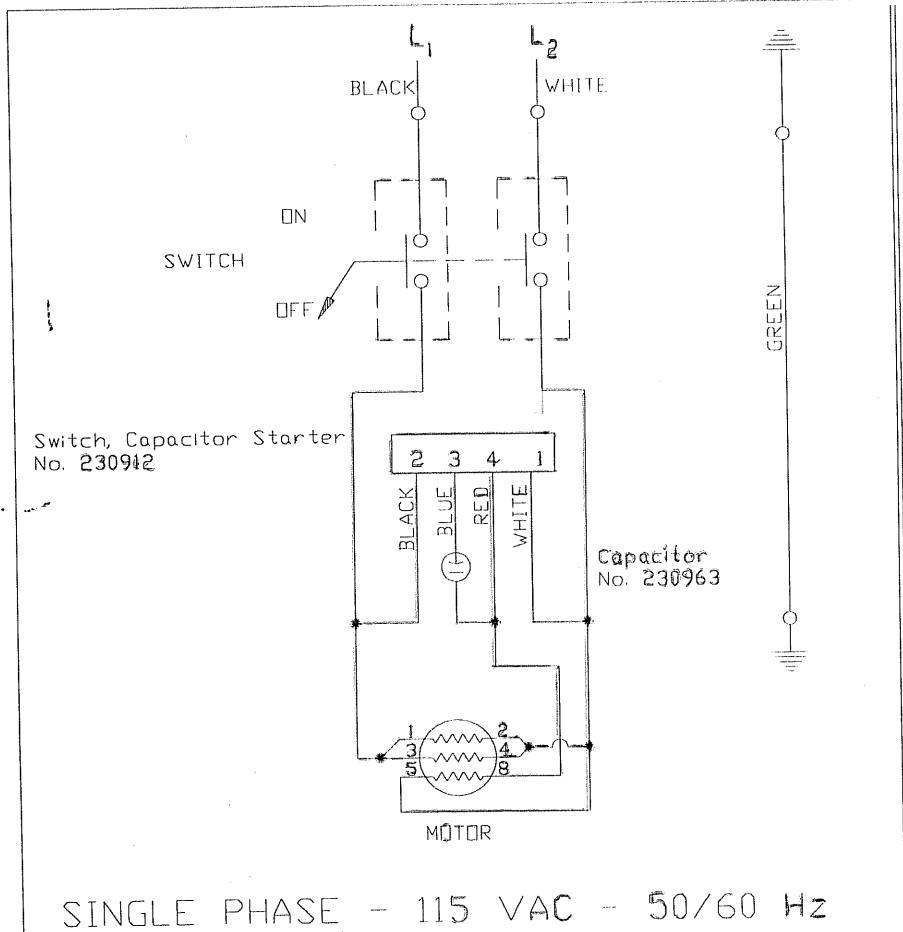
Figure 3



ITEM	PART NO.	DESCRIPTION	QTY
82	230912	Switch	1
83	904512	Screw	2
84	631035	Cover	1
85	904505	Screw	2
86	230963	Capacitor	1
87	200930	Tie	2
88	920803	Screw	6
89	950007	Nut	4
90	631053	Spacer	2

STARTER SWITCH and CAPACITOR

Figure 4



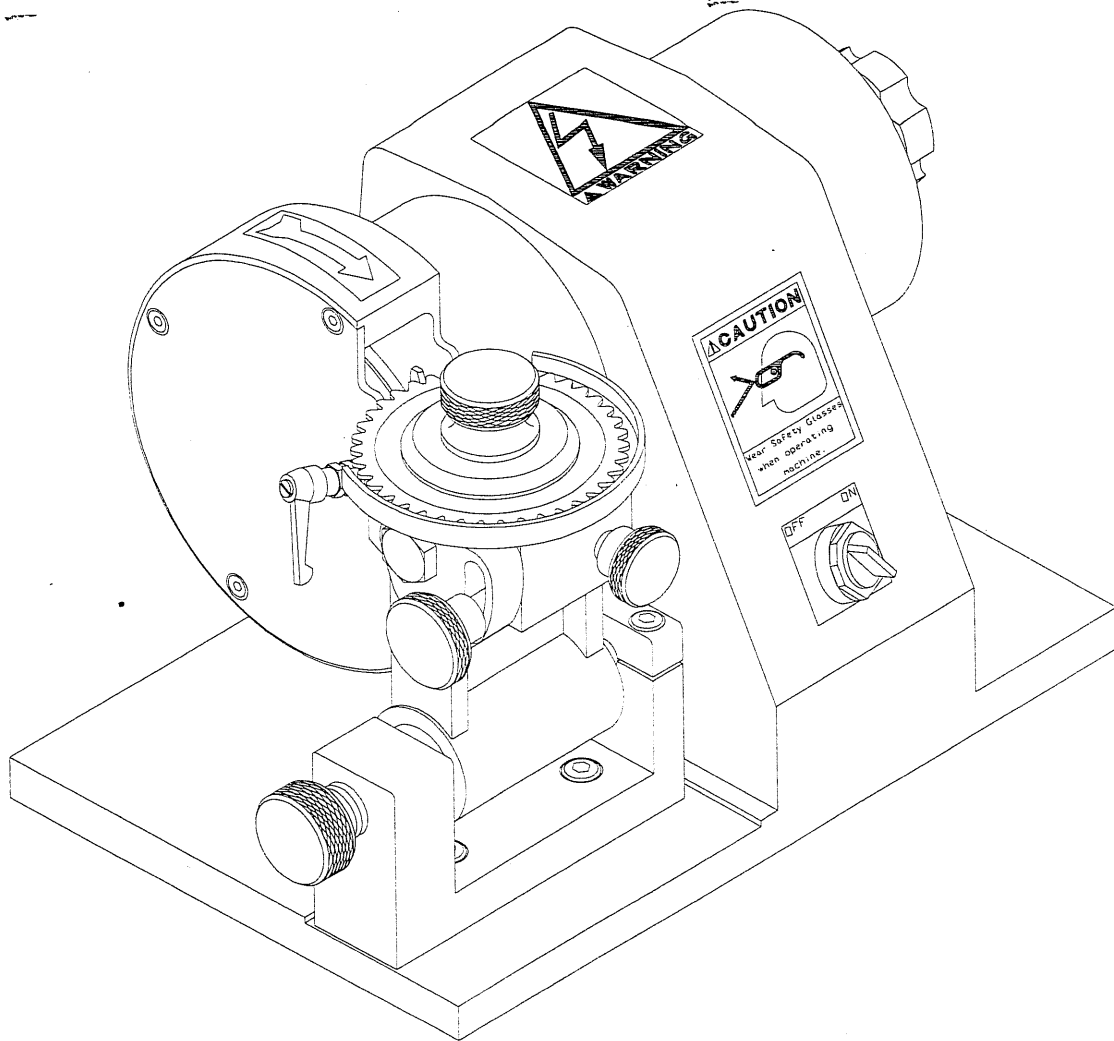
NOTES:

1. ALL ELECTRICAL WORK MUST BE PERFORMED BY A QUALIFIED ELECTRICIAN.
2. DO NOT ATTEMPT OR MAKE REPAIRS ON THE MACHINE WHILE POWER IS ON.
3. THE WIRING DIAGRAM SHOWS THE MACHINE IN THE "OFF" POSITION.
4. THE POWER CABLE GROUND WIRE (GREEN) IS CONNECTED TO THE FRAME OF THE MACHINE

QUIKSET-1 WIRING DIAGRAM
Figure 5

[ENGLISH]

GENERAL INFORMATION



MODEL
QUIKSET-1 BLADE GRINDER and RECONDITIONER
ASSEMBLY NO. 631000-A

SERVICE CENTERS

KENTMASTER LTD. (U.K)
16 AVONBANK INDUSTRIAL CENTRE
WEST TOWN ROAD
AVONMOUTH - BRISTOL BS11 9DE
UNITED KINGDOM

☎ TELEPHONE: ++ 44- (0) 117- 9235035
FAX: ++ 44- (0) 117- 9829010

KENTMASTER MFG. CO., INC.
1801 SOUTH MOUNTAIN AVE.
MONROVIA, CALIFORNIA 91016
UNITED STATES OF AMERICA

☎ TELEPHONE: 626 359-8888
FAX: (626) 303-5151

NOTICE TO EMPLOYER AND PURCHASER OF MACHINE

NOTICE TO SAFETY DIRECTOR

You have purchased a powerful machine that, if misused, can cause severe injury and harm to your employees. You must instruct your employees in the safe and proper use of this machine and to follow the safety procedures and instructions that have been supplied by the manufacturer of this machine. Please follow the following instructions.



1. Instruct machine operators to test the machine each day before using it to be sure it does not malfunction. Remove and repair any machine that malfunctions.
2. Instruct machine operators to immediately stop using a machine that malfunctions or is defective.
3. Instruct personnel to immediately remove all machines that malfunction. Be sure to disconnect machine from power supply.
4. Instruct all personnel to stay clear of machine, and not to stand or walk in front of, or next to machine when in use.
5. Point out to all personnel the dangers related to the misuse of machine and the importance of following safety procedures and instructions.
6. Do not make, or allow others to make, alterations or modifications to this machine. Replace all lost or illegible labels.
7. Follow all safety, installation and maintenance instructions provided with this machine. Establish proper safety procedures in accordance with local and national requirements to prevent accidental energizing of tool that can cause injuries.
8. If this machine is sold or change in ownership takes place, you must provide the new owner all safety instructions, notices and maintenance instructions you were originally provided. You can obtain additional copies of the instructions from Kentmaster, free of charge upon request.
9. Give copies of instructions to: **(A) Machine Operators**
(B) Maintenance Supervisor
(C) Clean-up Supervisor

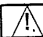
GENERAL INFORMATION

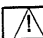
COVERING: SAFETY PRECAUTIONS AND PLACING INTO SERVICE
BLADE GRINDER and RECONDITIONER

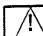
READ THIS MANUAL CAREFULLY BEFORE INSTALLING, OPERATING OR SERVICING THIS MACHINE


IT IS THE RESPONSIBILITY OF THE EMPLOYER TO PLACE THIS INFORMATION INTO THE HANDS OF THE OPERATOR.

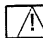
PLACING INTO SERVICE

 **WARNING** = Hazards or unsafe practices which could result in severe personal injury, death or substantial property damage.

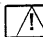
 **CAUTION** = Hazards or unsafe practices which could result in minor personal injury, product or property damage.

 **NOTICE** = Important installation, operation or maintenance information.

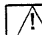
 **WARNING** Installation, adjustment repair and maintenance of this machine must be made by trained and qualified personnel.

 **WARNING** Always disconnect power supply from machine before:
(A) Making repairs or adjustments to the tool.
(B) Performing maintenance or cleanup work.

INSTALLATION INSTRUCTIONS

 **WARNING** ALL ELECTRICAL WIRING MUST BE DONE BY A LICENSED ELECTRICIAN IN ACCORDANCE WITH THE NATIONAL, STATE AND LOCAL ELECTRICAL CODES.
(REFER TO NAMEPLATE ON TOOL FOR PROPER POWER CONFIGURATION).

1. PLACE THE QUIKSET-1 IN A CONVENIENT LOCATION
2. PLUG 115V/60Hz (INSIDE USA) MODELS INTO A STANDARD 115V WALL OUTLET. PLUG THE 220V/50Hz (OUTSIDE USA) MODELS INTO A STANDARD 220V WALL OUTLET.

 **WARNING** ALL WALL OUTLETS MUST BE GROUNDED.

3. ENSURE CORRECT MOTOR ROTATION. GRINDING WHEEL ROTATES CLOCKWISE (REFER TO LABEL ORIENTATION, ITEM 11, FIGURE 2 OF "OPERATOR'S MANUAL").

OPERATING INSTRUCTIONS

 **WARNING** ONLY TRAINED PERSONNEL ARE TO OPERATE THIS MACHINE.

 **WARNING** ALWAYS WEAR SAFETY EYE GLASSES WHEN OPERATING THIS MACHINE.

 **NOTICE** ALWAYS KEEP DEHIDER BLADES AS MATCHED SETS.

MAINTENANCE

 **WARNING** ALWAYS DISCONNECT POWER SUPPLY FROM MACHINE BEFORE PERFORMING MAINTENANCE, MAKING REPAIRS OR ADJUSTMENTS TO THE MACHINE.

 **WARNING** ONLY TRAINED AND QUALIFIED PERSONNEL ARE TO PERFORM MAINTENANCE AND SERVICE TO THIS MACHINE.

SERVICE

1. KEEP GOOD RECORDS OF ALL SERVICE ACTIVITY AND INCLUDE MACHINE IN PREVENTIVE MAINTENANCE PROGRAM.
2. USE ONLY GENUINE KENTMASTER REPLACEMENT PARTS TO ASSURE PROPER PERFORMANCE OF MACHINE.
3. CONTACT THE KENTMASTER SUPPLIER NEAREST YOU FOR PARTS AND CUSTOMER SERVICE INFORMATION.