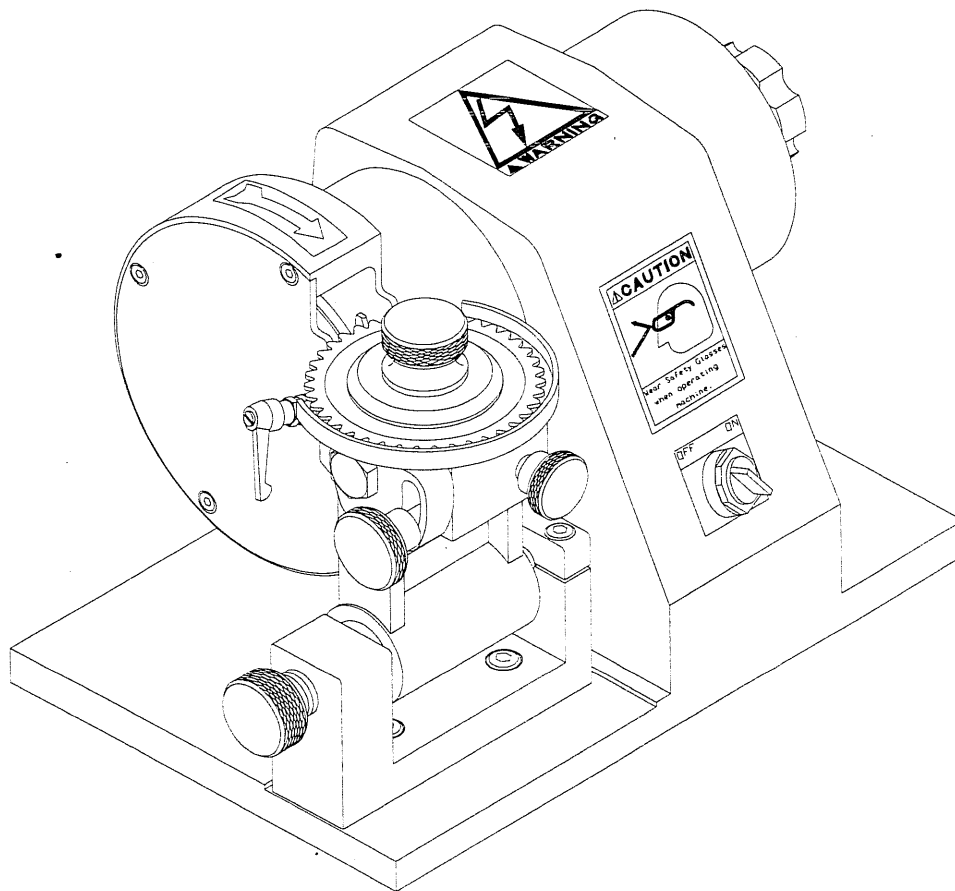


# **OPERATOR'S MANUAL**

**INCLUDING: OPERATION, INSTRUCTION, INSTALLATION AND MAINTENANCE**

**IMPORTANT: READ THIS MANUAL CAREFULLY BEFORE INSTALLING, OPERATING  
OR SERVICING THIS TOOL.**

## **QUIKSET-1** **BLADE GRINDER and RECONDITIONER**



**KENTMASTER LTD. ( U. K )**  
16 AVONBANK INDUSTRIAL CENTRE  
WEST TOWN ROAD  
AVONMOUTH - BRISTOL BS11 9DE  
UNITED KINGDOM

☎ TELEPHONE: ++ 44- (0) 117- 9235035  
FAX : ++ 44- (0) 117- 9829010

**KENTMASTER MFG. CO., INC.**  
1801 SOUTH MOUNTAIN AVE.  
MONROVIA, CALIFORNIA 91016  
UNITED STATES OF AMERICA

☎ TELEPHONE: (818) 359-8888  
FAX: (818) 303-5151

**⚠ WARNING** = Hazards or unsafe practices which could result in severe personal injury, death or substantial property damage.

**⚠ CAUTION** = Hazards or unsafe practices which could result in minor personal injury, product or property damage.

**⚠ NOTICE** = Important installation, operation or maintenance information.

## OPERATING AND SAFETY INSTRUCTIONS

**⚠ WARNING** DO NOT OPERATE THIS MACHINE UNTIL YOU HAVE READ AND UNDERSTOOD THE SAFETY INSTRUCTIONS AND OPERATING MANUALS.

**⚠ WARNING** DO NOT OPERATE THIS TOOL UNTIL YOU HAVE RECEIVED TRAINING IN THE HANDLING, OPERATION AND USE OF THIS MACHINE.

**⚠ WARNING** STOP USING A MALFUNCTIONING OR DEFECTIVE MACHINE IMMEDIATELY. REPORT ANY PROBLEMS OR DEFECTS TO YOUR SUPERVISOR FOR REMOVAL OF THE MACHINE FROM SERVICE.

**⚠ WARNING** DO NOT ATTEMPT TO REPAIR THE MACHINE YOURSELF.

**⚠ WARNING** DO NOT ALLOW UNAUTHORIZED PERSONS TO USE MACHINE.

**⚠ WARNING** NEVER TIE DOWN, BYPASS, ALTER OR MODIFY THE ACTIVATING SWITCHES OR TRIGGERS OF THIS MACHINE.

**⚠ WARNING** NEVER MAKE ALTERATIONS OR MODIFICATIONS TO THIS MACHINE.

**⚠ WARNING** BE CONSTANTLY AWARE AND ALERT FOR UNSAFE CONDITIONS AND REPORT THEM IMMEDIATELY TO YOUR SUPERVISOR.

**⚠ WARNING** NEVER PLACE YOUR HAND OR ANY PART OF YOUR BODY IN THE CUTTING PATH OF THE MACHINE.

**⚠ WARNING** NEVER ALLOW ANYONE ELSE TO PLACE THEIR HANDS OR ANY PART OF THEIR BODY IN THE CUTTING PATH OF THE MACHINE.

**⚠ WARNING** DO NOT ACTIVATE CONTROL SWITCHES OR TRIGGERS OF THIS MACHINE UNLESS YOU INTEND TO TEST OR OPERATE THIS MACHINE.

**⚠ WARNING** DO NOT USE THIS MACHINE FOR ANY OTHER PURPOSE OTHER THAN IT'S INTENDED PURPOSE.

**⚠ CAUTION** BE SURE TO WEAR THE PROTECTIVE GEAR AND SAFETY EQUIPMENT SUPPLIED TO YOU WHEN OPERATING THIS MACHINE.

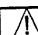
# OPERATING INSTRUCTIONS

 **WARNING** ONLY TRAINED PERSONNEL ARE TO OPERATE THIS MACHINE.

 **NOTICE** ALWAYS KEEP DEHIDER BLADES AS MATCHED SETS.

## **A. FOR HOLLOW GRIND:**

1. CLEAN MAGNET SURFACE ON HOLLOW GRIND HANDLE ASSEMBLY, ITEM 39.
2. PLACE ONE (1) DEHIDER BLADE, WITH HOLLOW SIDE OUT, ON HOLLOW GRIND HANDLE ASSEMBLY.

 **WARNING** ENSURE MAGNETS, FIG. 2, ITEM 42, ON HOLLOW GROUND HANDLE ASSEMBLY ARE HOLDING DEHIDER BLADE IN PLACE

3. TURN POWER ON.
4. SLIDE HOLLOW GRIND HANDLE ONTO MOTOR SHAFT, ITEM 32.
5. USING LIGHT PRESSURE, PUSH HOLLOW GRIND HANDLE ASSEMBLY AGAINST HOLLOW GRIND WHEEL, ITEM 37 - FIGURE 2, FOR ABOUT THREE (3) SECONDS.
6. SLIDE HOLLOW GRIND HANDLE ASSEMBLY, OFF MOTOR SHAFT. EXAMINE DEHIDER BLADE AND REPEAT STEPS A4-A6 UNTIL HOLLOW GRIND EXTENDS TO TIP OF DEHIDER BLADE TEETH.
7. REPEAT STEPS A1-A6 WITH REMAINING DEHIDER BLADE.
8. **TURN POWER OFF.**

## **B. FOR SHARPENING and DUBBING**

1. PLACE ONE DEHIDER BLADE, WITH HOLLOW SIDE UP, ON SPINDLE, ITEM 60.
2. WITH LOCATING FINGER, ITEM 79, LINED UP BETWEEN DEHIDER TEETH, TIGHTEN BLADE RETAINING FLANGE, ITEM 58, TO LOCK DEHIDER BLADE IN PLACE.
3. ROTATE INDEX BLOCK, ITEM 76, COUNTERCLOCKWISE AS FAR AS POSSIBLE. TIGHTEN CLAMPING KNOB, ITEM 45, TO LOCK INDEX BLOCK IN PLACE (REFER TO FIGURE 3).
4. TO ADJUST FOR GRINDING:
  - A. TURN ADJUSTMENT SCREW, ITEM 75, CLOCKWISE UNTIL DEHIDER BLADE NO LONGER TOUCHES GRINDING WHEEL, ITEM 8.
  - B. TURN POWER ON.
  - C. ROTATE SWING ARM, ITEM 52, TOWARD GRINDING WHEEL, ITEM 8.
  - D. TURN ADJUSTMENT SCREW, ITEM 75, COUNTERCLOCKWISE UNTIL DEHIDER BLADE JUST TOUCHES GRINDING WHEEL, ITEM 8.
5. JUST TAP DEHIDER BLADE TOOTH AGAINST GRINDING WHEEL 2-3 TIMES, OR AS NEEDED.
6. ROTATE DEHIDER BLADE ONE (1) TOOTH:
  - A. TURN CLAMPING HANDLE, ITEM 68, AND HOLD TO DISENGAGE LOCATING FINGER, ITEM 79, FROM DEHIDER BLADE.
  - B. ROTATE BLADE RETAINING FLANGE, ITEM 58, ONE TOOTH.
  - C. RELEASE CLAMPING HANDLE, ITEM 68. THIS ENGAGES LOCATING FINGER, ITEM 79, IN NEXT TOOTH.
7. REPEAT STEPS 5 THRU 6C FOR REMAINING DEHIDER BLADE TEETH.
8. TO ADJUST FOR DUBBING:
  - A. ROTATE INDEX BLOCK, ITEM 76, CLOCKWISE AS FAR AS POSSIBLE. TIGHTEN CLAMPING KNOB, ITEM 45, TO LOCK INDEX BLOCK IN PLACE (REFER TO FIGURE 3).
9. ROTATE SWING ARM, ITEM 52, TOWARD GRINDING WHEEL, ITEM 8, UNTIL BLADE COMES INTO CONTACT WITH GRINDING WHEEL, ITEM 8.
10. ROTATE DEHIDER BLADE ONE TOOTH (REFER TO STEP 26A-6C).
11. REPEAT STEPS I-J FOR REMAINING DEHIDER BLADE TEETH.
12. **TURN OFF POWER.**
13. REMOVE DEHIDER BLADE AND REPLACE WITH REMAINING DEHIDER BLADE OF MATCHED SET.
14. FOLLOW STEPS 1-3.
15. **DO NOT FOLLOW STEP 4A. ADJUSTMENT SCREW, ITEM 75, MUST MAINTAIN THE SAME POSITION FOR BOTH BLADES OF MATCHED SET.**
16. FOLLOW STEPS 4B-4C.
17. **DO NOT FOLLOW STEP 4D. ADJUSTMENT SCREW, ITEM 75, MUST MAINTAIN THE SAME POSITION FOR BOTH BLADES OF MATCHED SET.**
18. FOLLOW STEPS 5-12.

## **C. FOR DEBURRING:**

1. FOLLOW STEPS A1-A4 OF ABOVE SECTION "FOR HOLLOW GRIND."
2. PRESS BLADE HOLDER, ITEM 44, AGAINST HOLLOW GRIND WHEEL, ITEM 37, FOR JUST A SPLIT SECOND.
3. REPEAT STEPS C1 AND C2 WITH REMAINING BLADE OF MATCHED SET.
4. **TURN OFF POWER.**

## MAINTENANCE



**ALWAYS DISCONNECT POWER SUPPLY FROM MACHINE BEFORE PERFORMING MAINTENANCE, MAKING REPAIRS OR ADJUSTMENTS TO THE MACHINE.**



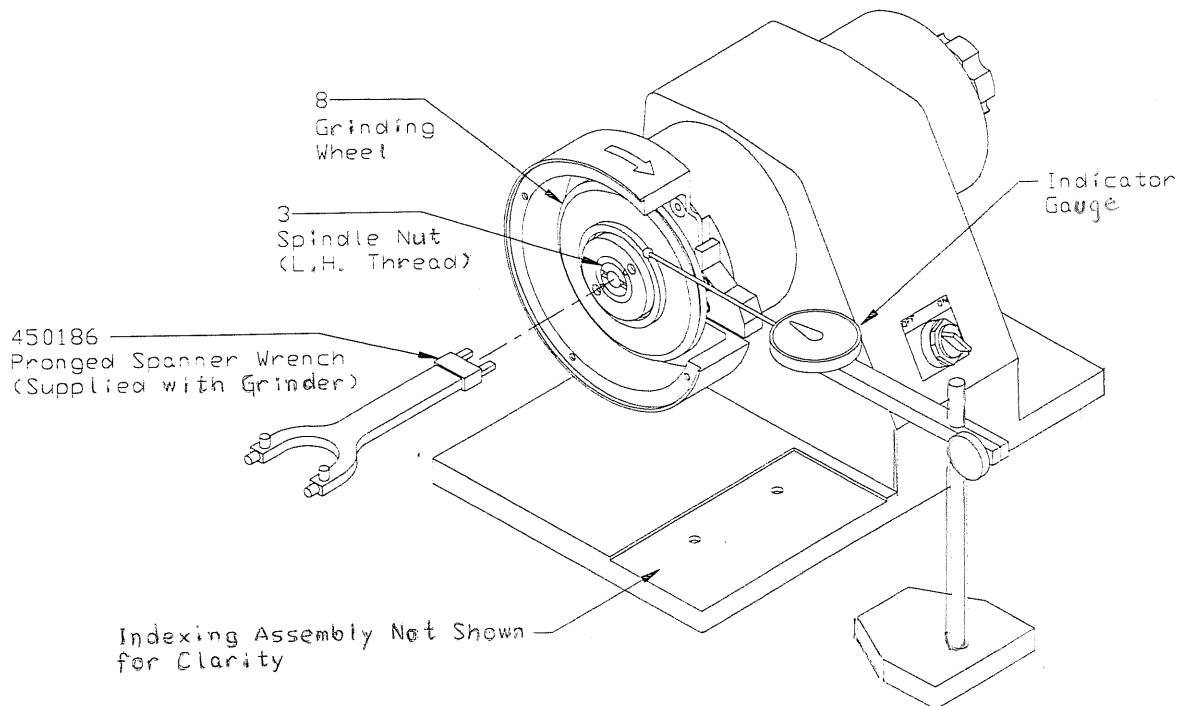
**ONLY TRAINED AND QUALIFIED PERSONNEL ARE TO PERFORM MAINTENANCE AND SERVICE TO THIS MACHINE.**

### 1. TO REMOVE GRINDING WHEEL:

- A. USING A 3MM HEX WRENCH, REMOVE FLAT HEAD SCREWS (4), ITEM 1. REMOVE GUARD COVER, ITEM 2.
- B. USING PRONGED SPANNER WRENCH (NO. 450186 - SUPPLIED WITH MACHINE), REMOVE ADAPTOR NUT, ITEM 5.
- C. PULL OFF ADAPTOR WASHER AND GRINDING WHEEL, ITEMS 6 AND 8.

### 2. TO INSTALL GRINDING WHEEL:

- A. ASSEMBLE GRINDING WHEEL, ITEM 8, ONTO COMPLETE ADAPTOR, ITEM 4.
- B. SLIDE ASSEMBLY OF GRINDING WHEEL AND COMPLETE ADAPTOR, ITEMS 8 AND 4, ONTO MOTOR SHAFT, ITEM 32.
- C. SCREW SLOTTED SPINDLE NUT, ITEM 3 ONTO END OF MOTOR SHAFT, ITEM 32. DO NOT TIGHTEN SPINDLE NUT.
- D. WITH AN INDICATOR PLACED ON SHOULDER OF GRINDING WHEEL, ITEM 8, CHECK THAT RUNOUT IS WITHIN .002" (SEE BELOW).
- E. WHEN GRINDING WHEEL RUNOUT IS WITHIN TOLERANCE, TIGHTEN SLOTTED SPINDLE NUT, ITEM 3, USING THE PRONGED SPANNER WRENCH.
- F. ROTATE INDEXING ASSEMBLY, ITEMS 58-81, TO TOP OF SLOT IN SWING ARM, ITEM 52. LOCK IN PLACE WITH CLAMPING KNOB, ITEM 45. REFER TO FIGURE 3.
- C. TURN POWER ON.
- D. ROTATE INDEXING ASSEMBLY SO THAT DEHIDER BLADE MAKES CONTACT WITH GRINDING WHEEL, ITEM 8.
- E. **TURN POWER OFF.**
- F. VERIFY DUB IS CENTERED ON TOOTH. IF NOT CENTERED, USING A 24MM WRENCH AND 6MM HEX WRENCH, LOOSEN HEX NUT AND SOCKET HEAD SCREW, ITEMS 38 AND 54. ADJUST SWING ARM SHAFT, ITEM 57, UNTIL DUB IS CENTERED ON TOOTH. RETIGHTEN HEX NUT AND SOCKET HEAD SCREW.



## **MAINTENANCE**

### **3. TO REMOVE HOLLOW GRIND WHEEL:**

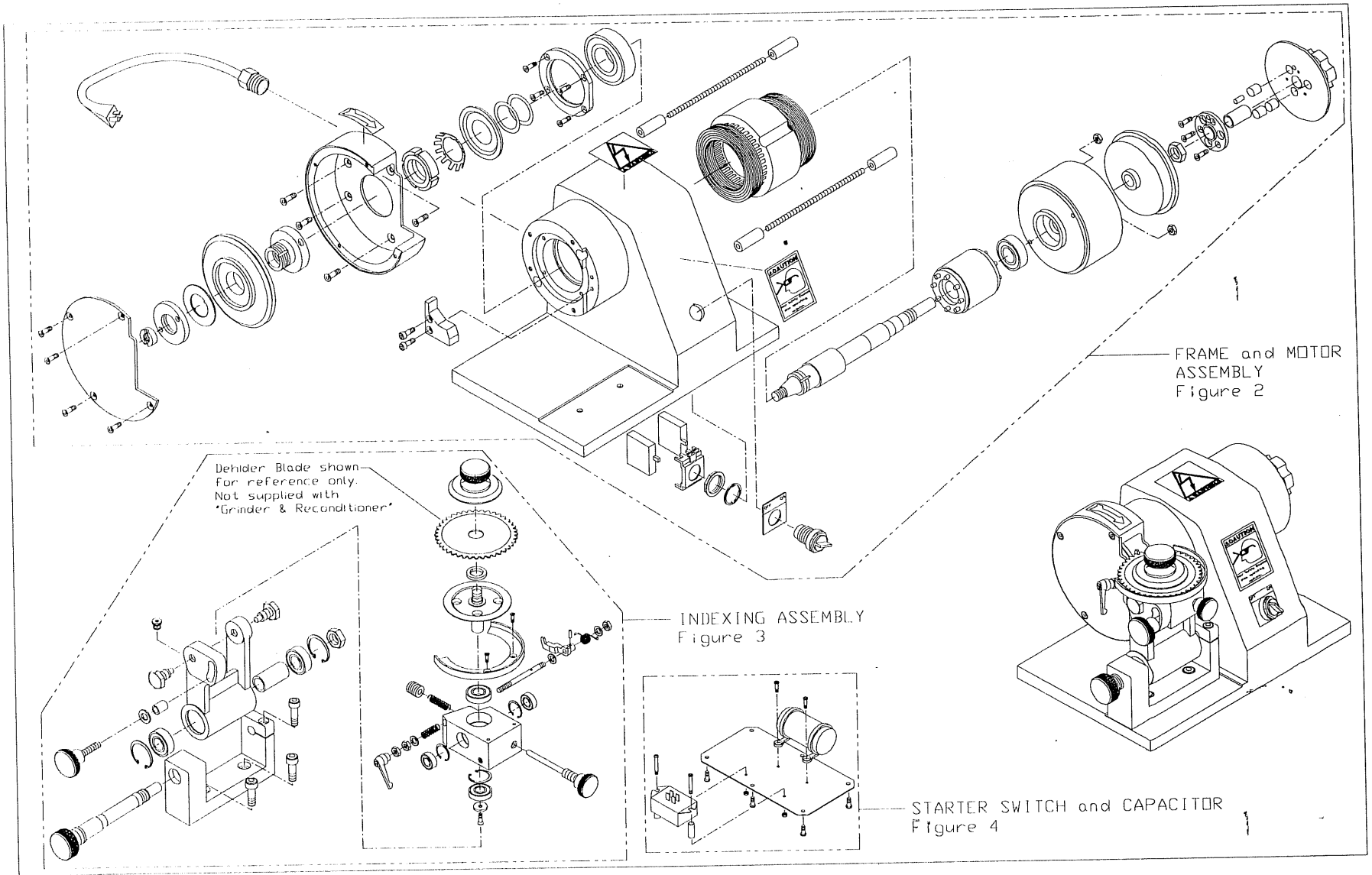
- A. USING A 3MM HEX WRENCH, REMOVE FLAT HEAD SCREWS (4), ITEM 1. REMOVE GUARD COVER, ITEM 2.
- B. INSERT THE PRONGED SPANNER WRENCH INTO ADAPTOR NUT, ITEM 5. WHILE HOLDING THE PRONGED SPANNER WRENCH, (THIS PREVENTS THE MOTOR SHAFT, ITEM 32, FROM TURNING) REMOVE HEX NUT, ITEM 38, USING A 24MM WRENCH.
- C. REMOVE HOLLOW GRIND WHEEL, ITEM 37.

### **4. TO INSTALL HOLLOW GRIND WHEEL:**

- A. REVERSE STEPS 3A-3C.

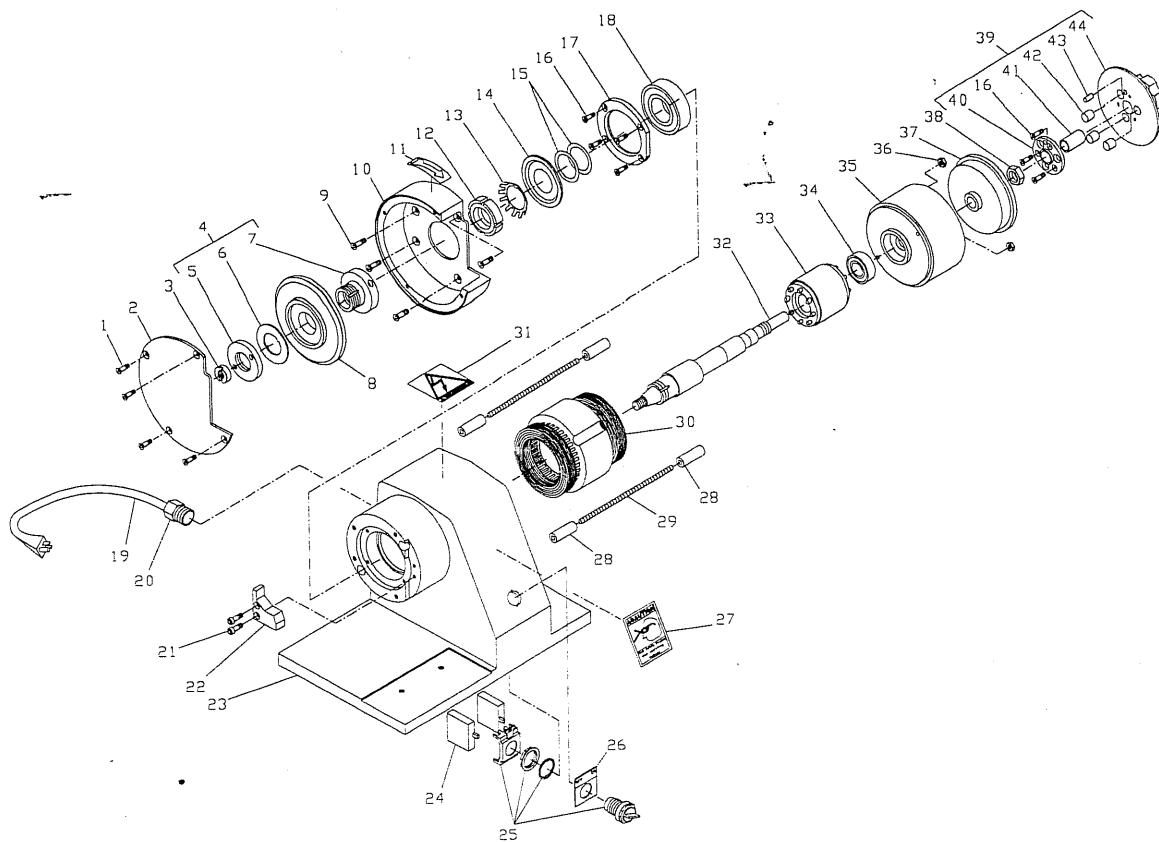
## **SERVICE**

1. KEEP GOOD RECORDS OF ALL SERVICE ACTIVITY AND INCLUDE MACHINE IN PREVENTIVE MAINTENANCE PROGRAM.
2. USE ONLY GENUINE KENTMASTER REPLACEMENT PARTS TO ASSURE PROPER PERFORMANCE OF MACHINE.
3. CONTACT THE KENTMASTER SUPPLIER NEAREST YOU FOR PARTS AND CUSTOMER SERVICE INFORMATION.



# BLADE GRINDER and RECONDITIONER MODEL QUIKSET-I

Figure 1



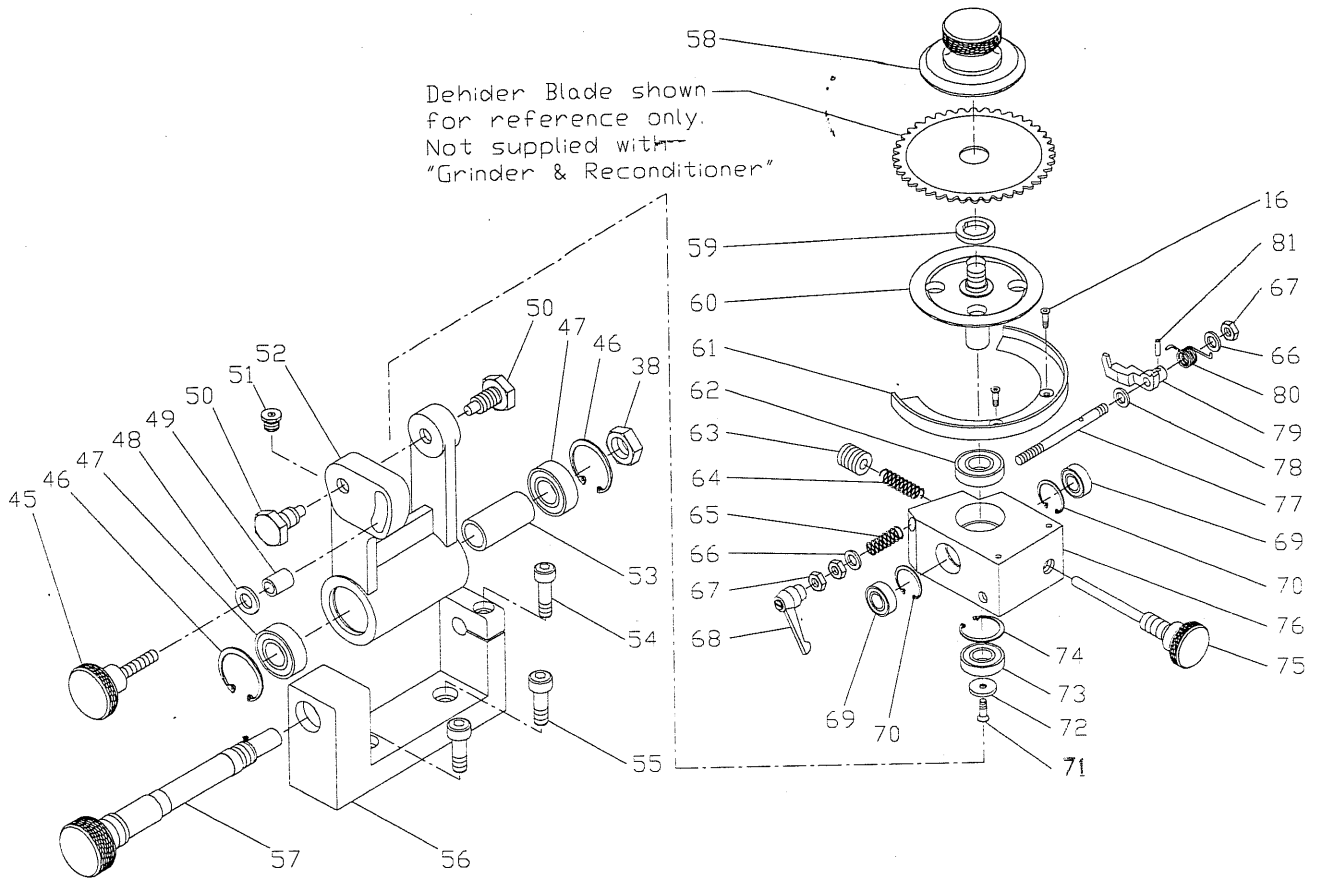
ITEM	PART NO.	DESCRIPTION	QTY
1	923904 .	Screw	4
2	631037 .	Cover	1
3	631050 .	Nut (Left Hand Thread)	1
4	631045 .	Adaptor (Consists of items 5-7)	1
5	631048 .	Nut	1
6	631047 .	Washer	1
7	631046 .	Adaptor	1
8	631014 .	Wheel	1
9	924105 .	Screw	4
10	631036 .	Guard	1
11	450508	Label	1
12	300113 .	Locknut	1
13	300010 .	Lockwasher	1
14	300205 .	Ring	1
15	870581 .	Shim	2
16	923804 .	Screw	7
17	631030 .	Flange	1
18	330406 .	Bearing	1
19	200700 .	Plug Assy, Cord and (115V)	1
20	200129 .	Connector	1
21	921105 .	Screw	2
22	631038 .	Block	1

ITEM	PART NO.	DESCRIPTION	QTY
23	631015 .	Frame	1
24	200931 .	Block	2
25	200929 .	Knob	1
26	200932 .	Plate	1
27	450509	Label	1
28	631032 .	Sleeve	4
29	631044 .	Rod	2
30	232005 .	Stator	1
31	450503	Label	1
32	631016 .	Shaft	1
33	232305 .	Rotor	1
34	312404 .	Bearing	1
35	631021 .	Guard	1
36	950009 .	Nut	2
37	631013 .	Wheel	1
38	950024 .	Nut	1
39	631018 .	Handle Assy (Consists of items 40- 44, and (3) of item 16)	1
40	631022 .	Flange	1
41	631024 .	Bushing	1
42	889625 .	Magnet	3
43	862044 .	Pin	1
44	631023 .	Holder	1

## FRAME and MOTOR ASSEMBLY

Figure 2

Dehider Blade shown  
for reference only.  
Not supplied with  
"Grinder & Reconditioner"



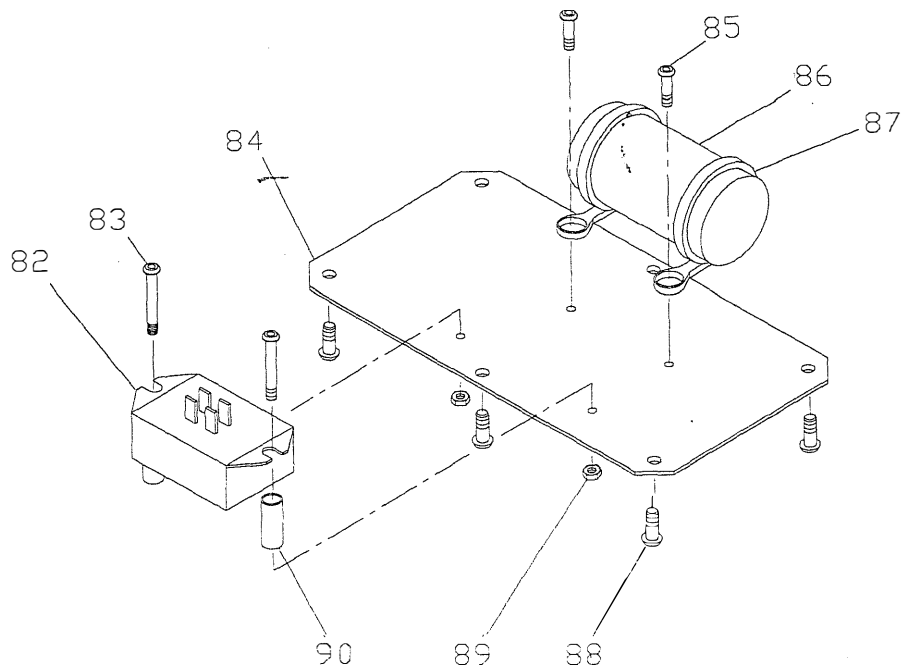
EM	PART NO.	DESCRIPTION	QTY
16	923804	Screw	2
38	950024	Nut	1
45	889628	Knob	1
46	500137	Ring	2
47	312303	Bearing	2
48	850561	Washer	1
49	631042	Bushing	1
50	631019	Screw	2
51	701815	Fitting (Flush Type)	1
52	631026	Arm	1
53	631025	Spacer	1
54	921308	Screw	1
55	921506	Screw	2
56	631043	Yoke	1
57	631020	Shaft	1
58	631017	Flange	1
59	630058	Spacer	1
60	631027	Spindle	1
61	631031	Guard	1

ITEM	PART NO.	DESCRIPTION	QTY
62	312402	Bearing	1
63	631052	Holder	1
64	889003	Spring	1
65	889004	Spring	1
66	620120	Washer	2
67	950011	Nut	3
68	889627	Handle	1
69	307437	Bearing	2
70	500086	Ring, Retaining	2
71	923905	Screw	1
72	631041	Washer	1
73	310402	Bearing	1
74	500106	Ring, Retaining	1
75	631028	Screw	1
76	631040	Block	1
77	631034	Shaft	1
78	631054	Spacer	1
79	631039	Finger	1
80	631029	Spring	1
81	861208	Pin	1

## INDEXING ASSEMBLY

Figure 3





ITEM	PART NO.	DESCRIPTION	QTY
82	2309120	Switch or 2309121 ELC SWITCH	1
83	904512	Screw	2
84	631035	Cover	1
85	904505	Screw	2
86	230963	Capacitor	1
87	200930	Tie	2
88	920803	Screw	6
89	950007	Nut	4
90	631053	Spacer	2

## **STARTER SWITCH and CAPACITOR**

Figure 4

# KENTMASTER MFG., CO., INC.

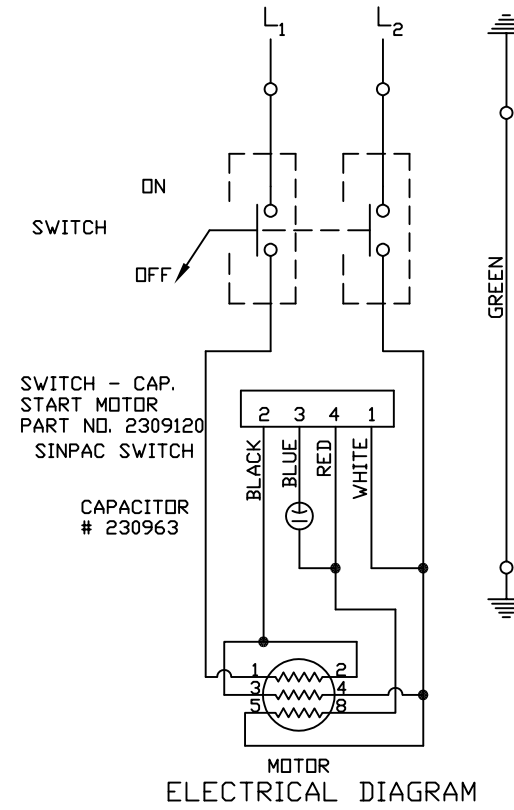
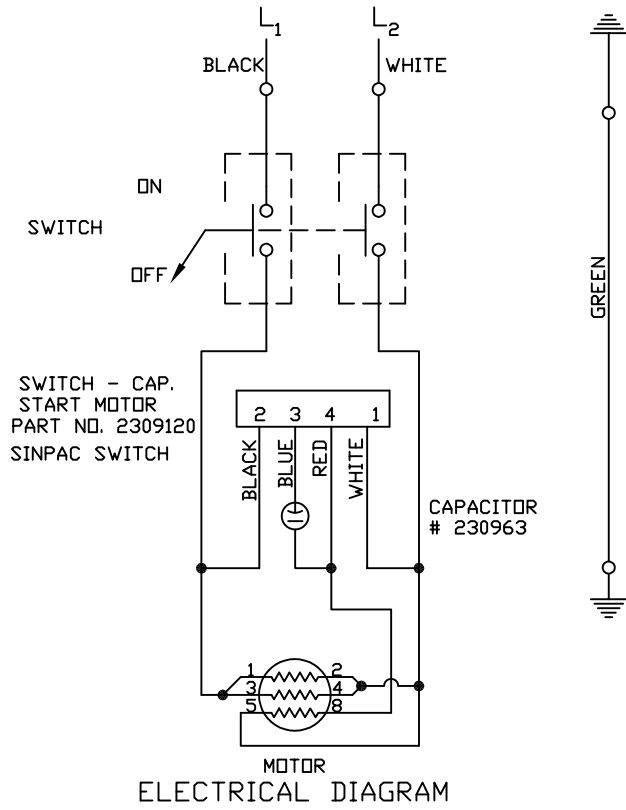
1801 SOUTH MOUNTAIN AVE. MONROVIA, CA 91016

## MODEL QUIKSET - I

### BLADE GRINDER & RECONDITIONER

SINGLE PHASE - 115 VAC - 50/60 Hz

SINGLE PHASE - 220 VAC 50/60 Hz



#### NOTES :

1. ALL ELECTRICAL WORK MUST BE PERFORMED BY A QUALIFIED ELECTRICIAN.
2. DO NOT ATTEMPT OR MAKE REPAIRS ON THE MACHINE WHILE POWER IS ON.
3. THE ELECTRICAL DIAGRAM SHOWS THE MACHINE IN THE 'OFF' POSITION.
4. THE GROUND WIRE (GREEN) OF THE POWER CABLE IS CONNECTED TO THE FRAME OF THE MACHINE.

JULY 95

QUIKSET - I WIRING DIAGRAM with sinpac switch 2309120

Figure 5A

# KENTMASTER MFG., CO., INC.

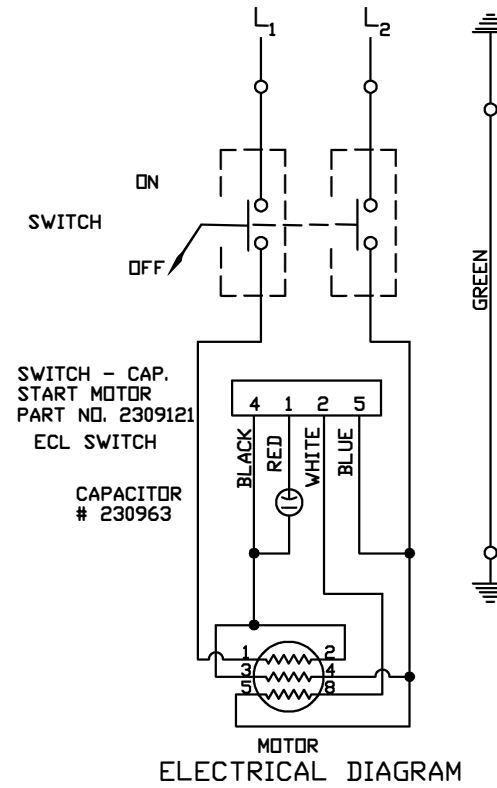
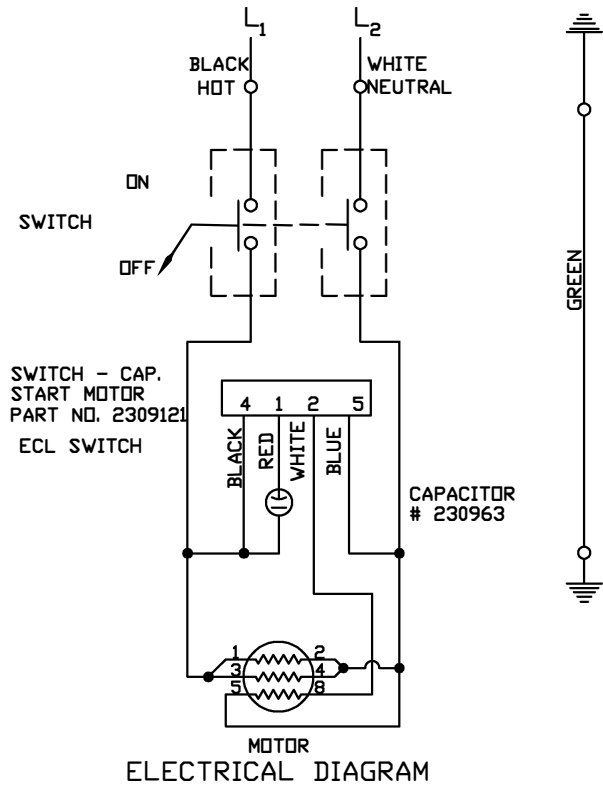
1801 SOUTH MOUNTAIN AVE. MONROVIA, CA 91016

## MODEL QUIKSET - I

### BLADE GRINDER & RECONDITIONER

SINGLE PHASE - 115 VAC - 50/60 Hz

SINGLE PHASE - 220 VAC 50/60 Hz



**NOTES :**

1. ALL ELECTRICAL WORK MUST BE PERFORMED BY A QUALIFIED ELECTRICIAN.
2. DO NOT ATTEMPT OR MAKE REPAIRS ON THE MACHINE WHILE POWER IS ON.
3. THE ELECTRICAL DIAGRAM SHOWS THE MACHINE IN THE 'OFF' POSITION.
4. THE GROUND WIRE (GREEN) OF THE POWER CABLE IS CONNECTED TO THE FRAME OF THE MACHINE.

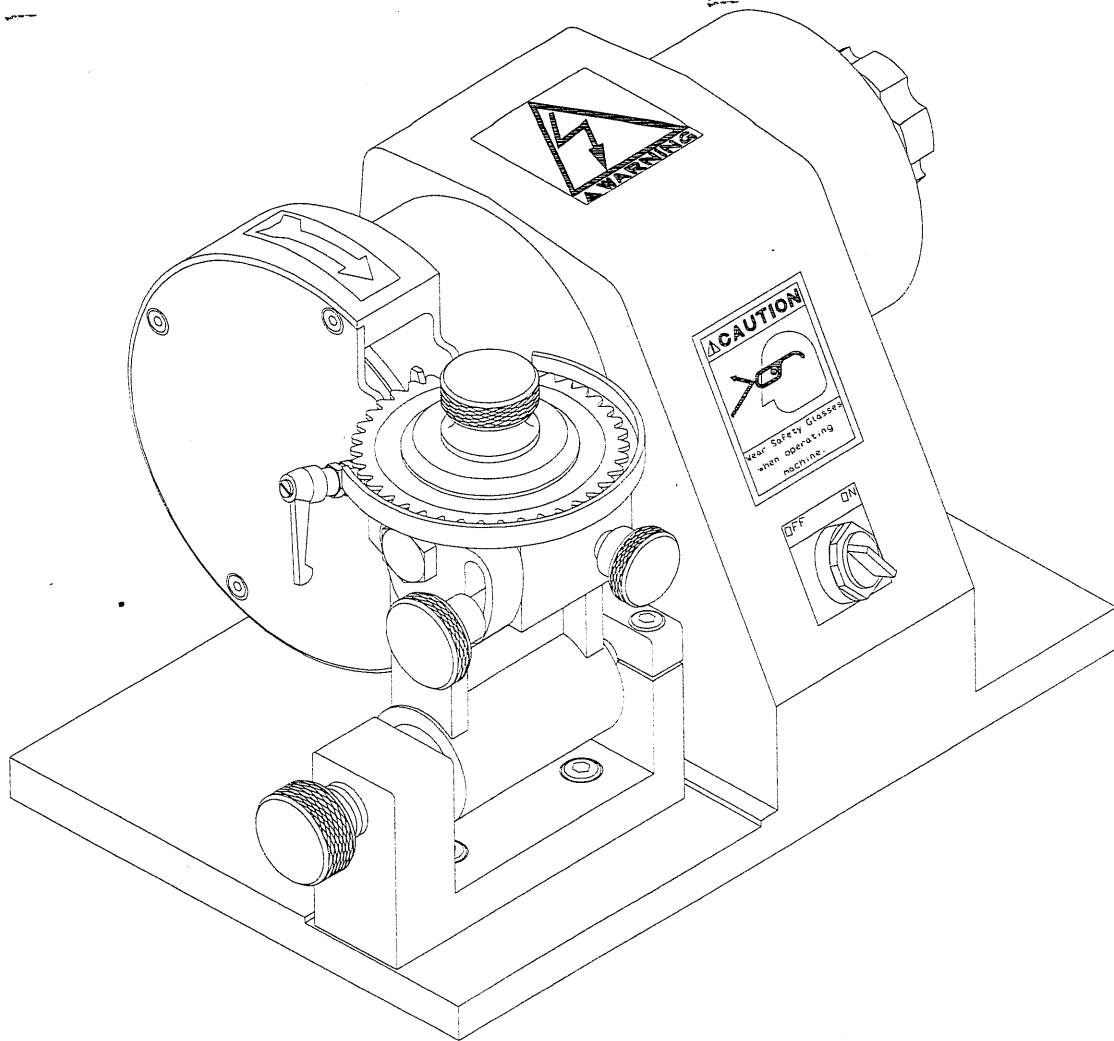
MARCH 24

QUIKSET - I WIRING DIAGRAM with ECL switch 2309121

Figure 5B

[ENGLISH]

# GENERAL INFORMATION



**MODEL**  
**QUIKSET-1 BLADE GRINDER and RECONDITIONER**  
**ASSEMBLY NO. 631000-A**

### SERVICE CENTERS

**KENTMASTER LTD. ( U.K )**  
16 AVONBANK INDUSTRIAL CENTRE  
WEST TOWN ROAD  
AVONMOUTH - BRISTOL BS11 9DE  
UNITED KINGDOM

☎ TELEPHONE: ++ 44- (0) 117- 9235035  
FAX: ++ 44- (0) 117- 9829010

**KENTMASTER MFG. CO., INC.**  
1801 SOUTH MOUNTAIN AVE.  
MONROVIA, CALIFORNIA 91016  
UNITED STATES OF AMERICA

☎ TELEPHONE: 626 359-8888  
FAX: (626) 303-5151

# **NOTICE TO EMPLOYER AND PURCHASER OF MACHINE**

## **NOTICE TO SAFETY DIRECTOR**

You have purchased a powerful machine that, if misused, can cause severe injury and harm to your employees. You must instruct your employees in the safe and proper use of this machine and to follow the safety procedures and instructions that have been supplied by the manufacturer of this machine. Please follow the following instructions.



1. Instruct machine operators to test the machine each day before using it to be sure it does not malfunction. Remove and repair any machine that malfunctions.
2. Instruct machine operators to immediately stop using a machine that malfunctions or is defective.
3. Instruct personnel to immediately remove all machines that malfunction. Be sure to disconnect machine from power supply.
4. Instruct all personnel to stay clear of machine, and not to stand or walk in front of, or next to machine when in use.
5. Point out to all personnel the dangers related to the misuse of machine and the importance of following safety procedures and instructions.
6. Do not make, or allow others to make, alterations or modifications to this machine. Replace all lost or illegible labels.
7. Follow all safety, installation and maintenance instructions provided with this machine. Establish proper safety procedures in accordance with local and national requirements to prevent accidental energizing of tool that can cause injuries.
8. If this machine is sold or change in ownership takes place, you must provide the new owner all safety instructions, notices and maintenance instructions you were originally provided. You can obtain additional copies of the instructions from Kentmaster, free of charge upon request.
9. Give copies of instructions to: **(A) Machine Operators**  
**(B) Maintenance Supervisor**  
**(C) Clean-up Supervisor**

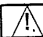
# GENERAL INFORMATION

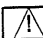
COVERING: SAFETY PRECAUTIONS AND PLACING INTO SERVICE  
**BLADE GRINDER and RECONDITIONER**

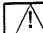
**READ THIS MANUAL CAREFULLY BEFORE INSTALLING, OPERATING OR SERVICING THIS MACHINE**


IT IS THE RESPONSIBILITY OF THE EMPLOYER TO PLACE THIS INFORMATION INTO THE HANDS OF THE OPERATOR.


## PLACING INTO SERVICE

 **WARNING** = Hazards or unsafe practices which could result in severe personal injury, death or substantial property damage.

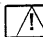
 **CAUTION** = Hazards or unsafe practices which could result in minor personal injury, product or property damage.

 **NOTICE** = Important installation, operation or maintenance information.

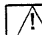
 **WARNING** Installation, adjustment repair and maintenance of this machine must be made by trained and qualified personnel.

 **WARNING** Always disconnect power supply from machine before:  
(A) Making repairs or adjustments to the tool.  
(B) Performing maintenance or cleanup work.

## INSTALLATION INSTRUCTIONS

 **WARNING** ALL ELECTRICAL WIRING MUST BE DONE BY A LICENSED ELECTRICIAN IN ACCORDANCE WITH THE NATIONAL, STATE AND LOCAL ELECTRICAL CODES.  
(REFER TO NAMEPLATE ON TOOL FOR PROPER POWER CONFIGURATION).

1. PLACE THE QUIKSET-1 IN A CONVENIENT LOCATION
2. PLUG 115V/60Hz (INSIDE USA) MODELS INTO A STANDARD 115V WALL OUTLET. PLUG THE 220V/50Hz (OUTSIDE USA) MODELS INTO A STANDARD 220V WALL OUTLET.

 **WARNING** ALL WALL OUTLETS MUST BE GROUNDED.

3. ENSURE CORRECT MOTOR ROTATION. GRINDING WHEEL ROTATES CLOCKWISE (REFER TO LABEL ORIENTATION, ITEM 11, FIGURE 2 OF "OPERATOR'S MANUAL").

## OPERATING INSTRUCTIONS

 **WARNING** ONLY TRAINED PERSONNEL ARE TO OPERATE THIS MACHINE.

 **WARNING** ALWAYS WEAR SAFETY EYE GLASSES WHEN OPERATING THIS MACHINE.

 **NOTICE** ALWAYS KEEP DEHIDER BLADES AS MATCHED SETS.

## MAINTENANCE

 **WARNING** ALWAYS DISCONNECT POWER SUPPLY FROM MACHINE BEFORE PERFORMING MAINTENANCE, MAKING REPAIRS OR ADJUSTMENTS TO THE MACHINE.

 **WARNING** ONLY TRAINED AND QUALIFIED PERSONNEL ARE TO PERFORM MAINTENANCE AND SERVICE TO THIS MACHINE.

## SERVICE

1. KEEP GOOD RECORDS OF ALL SERVICE ACTIVITY AND INCLUDE MACHINE IN PREVENTIVE MAINTENANCE PROGRAM.
2. USE ONLY GENUINE KENTMASTER REPLACEMENT PARTS TO ASSURE PROPER PERFORMANCE OF MACHINE.
3. CONTACT THE KENTMASTER SUPPLIER NEAREST YOU FOR PARTS AND CUSTOMER SERVICE INFORMATION.

# DECLARATION OF CONFORMITY

DECLARATION DE CONFORMITE -DECLARACION DE CONFORMIDAD- ERKLARUNG BEZUGLICH EINHALTUNG DER VORSCHRIFTEN  
DICHIARAZIONE DI CONFORMITA . CONFORMITEITSVERKLARING

## MANUFACTURED BY:

FABRIQUE PAR:  
FABRICADA POR:  
HERGESTELLTVON:  
FABBRICATO DA:  
VERVAARDIGD DOOR:

**KENTMASTER MFG CO., INC.**  
1801 SOUTH MOUNTAIN AVE.  
MONROVIA, CALIFORNIA 91016  
UNITED STATES OF AMERICA  
TELEPHONE (818) 359-8888 FAX (818) 303-5151

## TYPE / SERIES: BLADE GRINDER and RECONDITIONER

TYPE / SERIE:  
TIPO / SERIE:  
TYP / SERIE:  
TIPO / SERIE:  
TYPE / SERIE:

## MODEL: QUIKSET-1

MODELE:  
MODELO:  
MODELL:  
MODELLO:  
MODEL:

## SERIAL NO. RANGE:

N SERIE: • GAMA DE No. DE SERIE: • SERIEN-NR.-BEREICH: • NUMERI DI SERIE: • SERIENUMMERS:

### This product complies with the following European Community Directives:

Ce produit est conforme aux directives de la Communauté européenne suivantes:  
Este producto cumple con las siguientes Directrices de la Comunidad Europea:  
Dieses Produkt erfüllt die folgenden Vorschriften der Europäischen Gemeinschaft:  
Questo prodotto è conforme alle seguenti direttive CEE:  
Dit produkt voldoet aan de volgende EG-richtlijnen:

**89/392/EEC, 91/368/EEC, 93/44/EEC, 93/68/EEC**

### The following Standards were used to verify compliance with the Directives:

Les normes suivantes ont été utilisées pour vérifier la conformité avec les Directives:  
Las siguientes Normas se usaron para verificar el cumplimiento de las Directrices:  
Folgende Normen wurden angewandt, um Erfüllung der Vorschriften zu bestätigen:  
Per verificare la conformità del prodotto alle direttive sono stati usati i seguenti standard:  
De volgende normen zijn gebruikt om naleving van de richtlijnen te bevestigen:

**EN 292**

Approved by: \_\_\_\_\_

RALPH KARUBIAN MONROVIA CA. U.S.A

Date: JAN - 1 - 1995

Approuvé par:  
Aprobado por:  
Genehmigt von:  
Approvato da:  
Goedgekeurd door:

GREGORIO J. COELHO MONROVIA, CA. U.S.A

Date:  
Fecha:  
Datum:  
Data:  
Datum: JAN - 1 - 1995

(Engineering Manager) (Directeur technique) (gerente de ingenieria) (verantwortlicher Konstruktionsleiter) (Responsabile tecnico) (ondersteunend technisch mangar)