

OPERATOR'S MANUAL

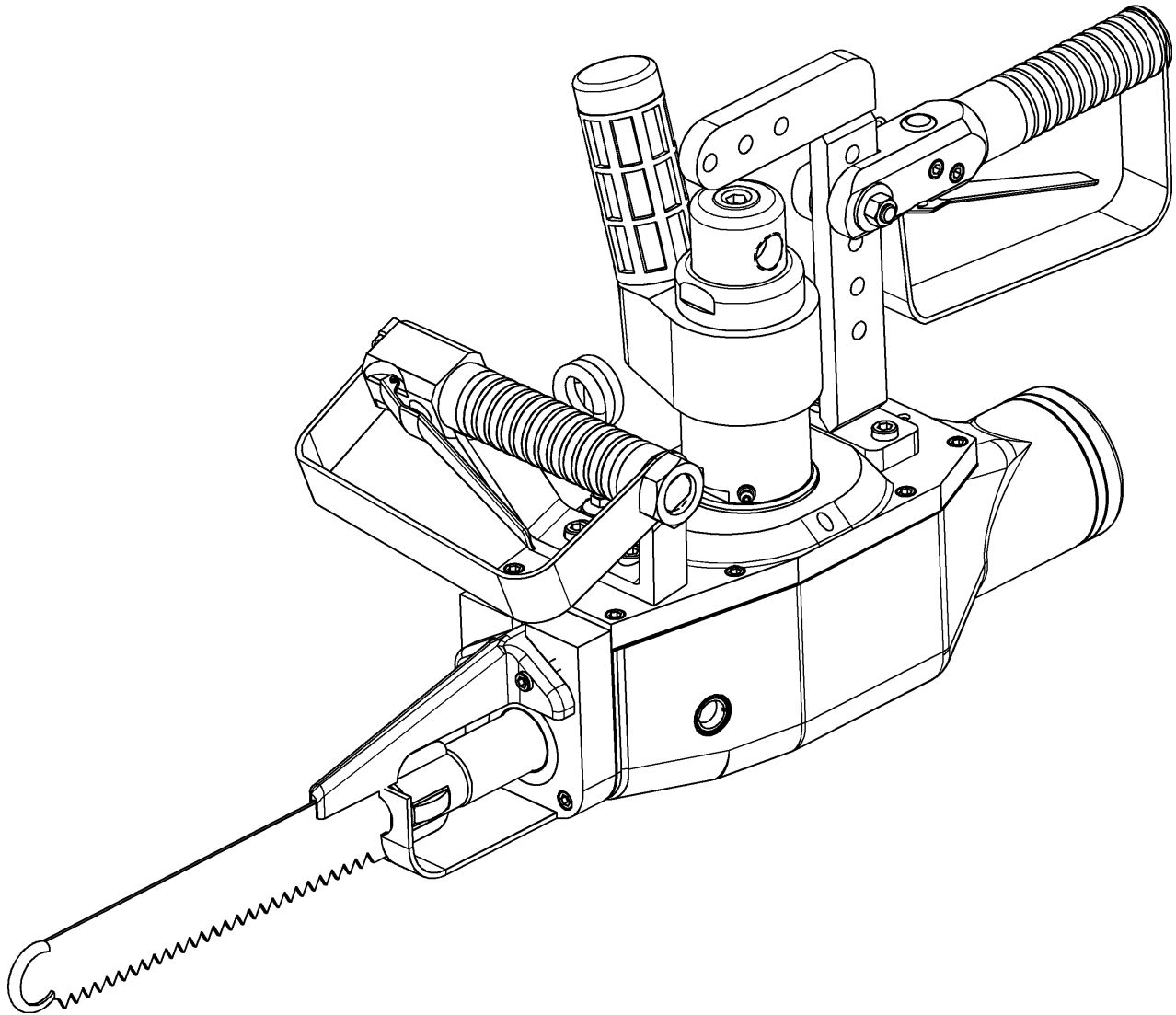
INCLUDING: OPERATION, INSTRUCTION, INSTALLATION, MAINTENANCE AND PARTSBOOK

**IMPORTANT: READ THIS MANUAL CAREFULLY BEFORE INSTALLING, OPERATING OR
SERVICING THIS TOOL.**

AIR BEEF BRISKET SAW "ABB-II"

TOOL DATA

MODEL: ABB-II
ASSEMBLY NO. 6330000
TYPE: AIR OPERATED
NET WEIGHT: 42 LBS (19 KG)
INLET AIR PRESSURE: 90 P.S.I. (6-7 BARS), 40 cft/min



**WARNING**

= Hazards or unsafe practices which could result in severe personal injury, death or substantial property damage.

**CAUTION**

= Hazards or unsafe practices which could result in minor personal injury, product or property damage.

**NOTICE**

= Important installation, operation or maintenance information.

OPERATING AND SAFETY INSTRUCTIONS

**WARNING**

DO NOT OPERATE THIS TOOL UNTIL YOU HAVE READ AND UNDERSTOOD THE SAFETY INSTRUCTIONS AND OPERATING MANUALS.

**WARNING**

DO NOT OPERATE THIS TOOL UNTIL YOU HAVE RECEIVED TRAINING IN THE HANDLING, OPERATION AND USE OF THIS TOOL.

**WARNING**

STOP USING A MALFUNCTIONING OR DEFECTIVE TOOL IMMEDIATELY. REPORT ANY PROBLEMS OR DEFECTS TO YOUR SUPERVISOR FOR REMOVAL OF THE TOOL FROM SERVICE.

**WARNING**

DO NOT ATTEMPT TO REPAIR THE TOOL YOURSELF.

**WARNING**

DO NOT ALLOW UNAUTHORIZED PERSONS TO USE TOOL.

**WARNING**

REMOVE AND DISCONNECT POWER FROM THE TOOL WHEN TOOL IS LEFT UNATTENDED OR IS NOT IN USE.

**WARNING**

NEVER TIE DOWN, BYPASS, ALTER OR MODIFY THE ACTIVATING SWITCHES OR TRIGGERS OF THIS TOOL.

**WARNING**

NEVER MAKE ALTERATIONS OR MODIFICATIONS TO THIS TOOL.

**WARNING**

BE CONSTANTLY AWARE AND ALERT FOR UNSAFE CONDITIONS AND REPORT THEM IMMEDIATELY TO YOUR SUPERVISOR.

**WARNING**

NEVER PLACE YOUR HAND OR ANY PART OF YOUR BODY IN THE CUTTING PATH OF THE TOOL.

**WARNING**

NEVER ALLOW ANYONE ELSE TO PLACE THEIR HANDS OR ANY PART OF THEIR BODY IN THE CUTTING PATH OF THE TOOL.

**WARNING**

DO NOT ACTIVATE CONTROL SWITCHES OR TRIGGERS OF THIS TOOL UNLESS YOU INTEND TO TEST OR OPERATE THIS TOOL.

**WARNING**

DO NOT USE THIS TOOL FOR ANY PURPOSE OTHER THAN IT'S INTENDED PURPOSE.

**CAUTION**

WHEN OPERATING THIS TOOL WEAR THE PROTECTIVE GEAR AND SAFETY EQUIPMENT SUPPLIED TO YOU.

**WARNING**

THE NOISE EMISSION (SOUND PRESSURE LEVEL) AT THE WORKSTATION MAY EXCEED 80 dB (A). EAR AND SOUND PROTECTION GEAR IS REQUIRED.

OPERATING INSTRUCTIONS

⚠ WARNING ONLY TRAINED PERSONNEL ARE TO OPERATE THIS TOOL.

1. TO ENSURE TOOL IS OPERATING PROPERLY, PERFORM FOLLOWING STEPS AT START OF EACH SHIFT:
 - MAKE SURE TOOL MOVES UP AND DOWN FREELY WHILE HANGING FROM BALANCER OVERHEAD.
 - WITH POWER TO TOOL TURNED ON, TEST TRIGGER FOR PROPER OPERATION.
 - DEPRESS EACH TRIGGER SEPARATELY. TOOL SHOULD NOT ACTIVATE. DEPRESS BOTH TRIGGERS. TOOL SHOULD ACTIVATE.
 - IF TOOL HAS "ANTI-TIE DOWN" OPTION, BOTH TRIGGERS MUST BE DEPRESSED SIMULTANEOUSLY FOR TOOL TO ACTIVATE.
2. TO PERFORM WORK, HOLD TOOL FIRMLY AT BOTH HANDLES. SQUEEZE TRIGGERS TO ACTIVATE TOOL.
3. POSITION TOOL AND PERFORM CUTTING OPERATION.

MAINTENANCE

⚠ WARNING ONLY TRAINED AND QUALIFIED PERSONNEL ARE TO PERFORM MAINTENANCE AND SERVICE TO THIS TOOL.

THE COMPRESSED AIR DISTRIBUTION SYSTEM MUST BE LARGE ENOUGH TO SUPPLY AN ADEQUATE VOLUME OF CLEAN AND DRY COMPRESSED AIR TO THE TOOL.

1. MAKE ALL NECESSARY LINE CONNECTIONS TO THE TOOL.
2. AN AIR FILTER-REGULATOR-LUBRICATOR (PART NO. 7200030) MUST BE INSTALLED IN AIR SUPPLY FOR EACH TOOL.
3. FILL LUBRICATOR WITH KENTMASTER AIR MIST OIL (PART NO. 7903050). SET DRIP RATE ACCORDING TO INSTRUCTIONS SUPPLIED. TURN ADJUSTMENT ON SIGHT FEED DOME TO INCREASE/DECREASE OIL DELIVERY. MONITOR THE DEVICE BEING LUBRICATED AND READJUST IF NEEDED.
4. TOOL REQUIRES 40 S.C.F.M. OF AIR @ 90 P.S.I. AIR PRESSURE.
5. FLUSH AIR MOTOR AT END OF EACH DAY'S USE BY SQUIRTING A FEW SQUIRTS OF KENTMASTER AIR OIL MIST (PART 7903050) DIRECTLY INTO THE AIR INLET PORT. RUN TOOL A FEW SECONDS TO COAT AND PROTECT THE AIR MOTOR AND INTERNAL PARTS OF TOOL.

BLADE REMOVAL AND CLEANING.

⚠ WARNING ALWAYS DISCONNECT POWER SUPPLY FROM TOOL BEFORE INSTALLING OR REMOVING BLADE FROM TOOL.

⚠ WARNING ALWAYS WEAR WIRE MESH GLOVES WHEN INSTALLING OR REMOVING BLADE FROM TOOL.

1. REMOVE NUT AND BOLT (ITEM NO. 1 AND 2, FIG. NO. 1).
2. REMOVE BLADE (ITEM NO. 3, FIG. NO. 1).
3. CLEAN ALL PARTS REMOVED WITH SOAP AND WATER.
4. SHARPEN OR REPLACE BLADES WHEN NECESSARY.
5. REASSEMBLE IN REVERSE ORDER.

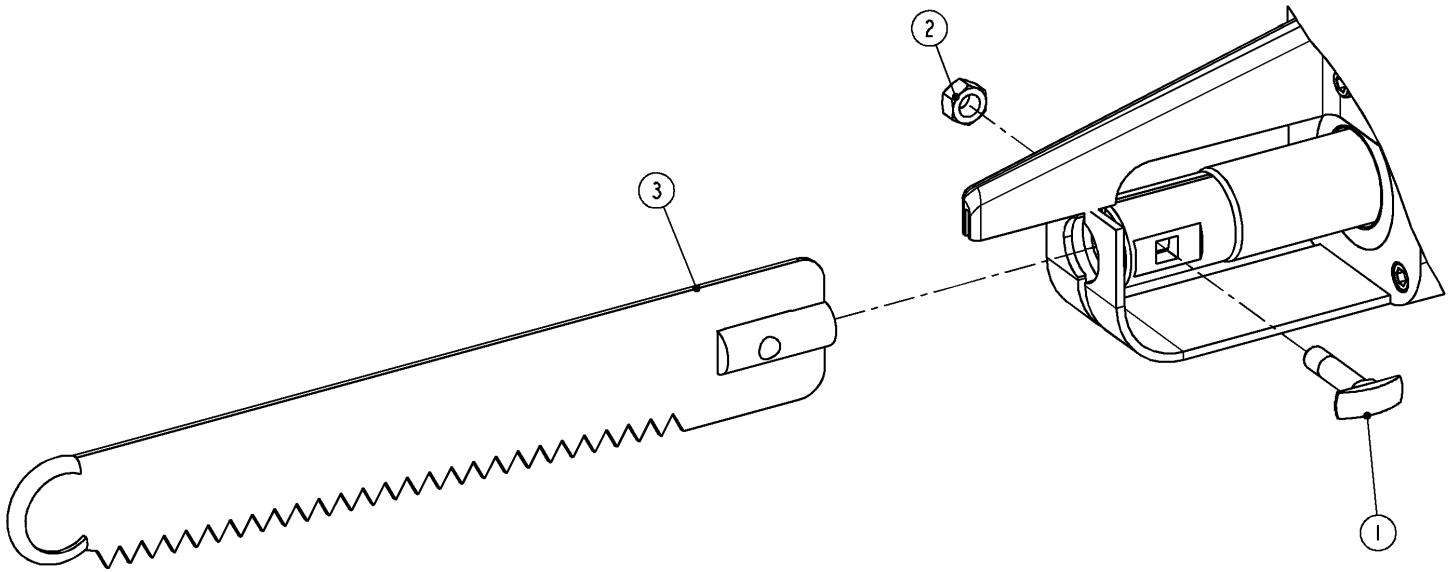
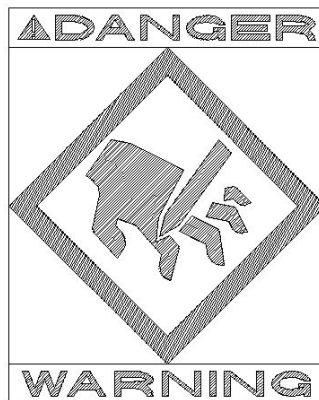


Figure 1 MODEL ABB-II – BLADE REPLACEMENT

SERVICE

1. KEEP GOOD RECORDS OF ALL SERVICE ACTIVITY AND INCLUDE TOOL IN PREVENTIVE MAINTENANCE PROGRAM.
2. USE ONLY GENUINE KENTMASTER REPLACEMENT PARTS TO ASSURE PROPER PERFORMANCE OF TOOL.
3. CONTACT THE KENTMASTER SUPPLIER NEAREST YOU FOR PARTS AND CUSTOMER SERVICE INFORMATION.



PARTS BOOK

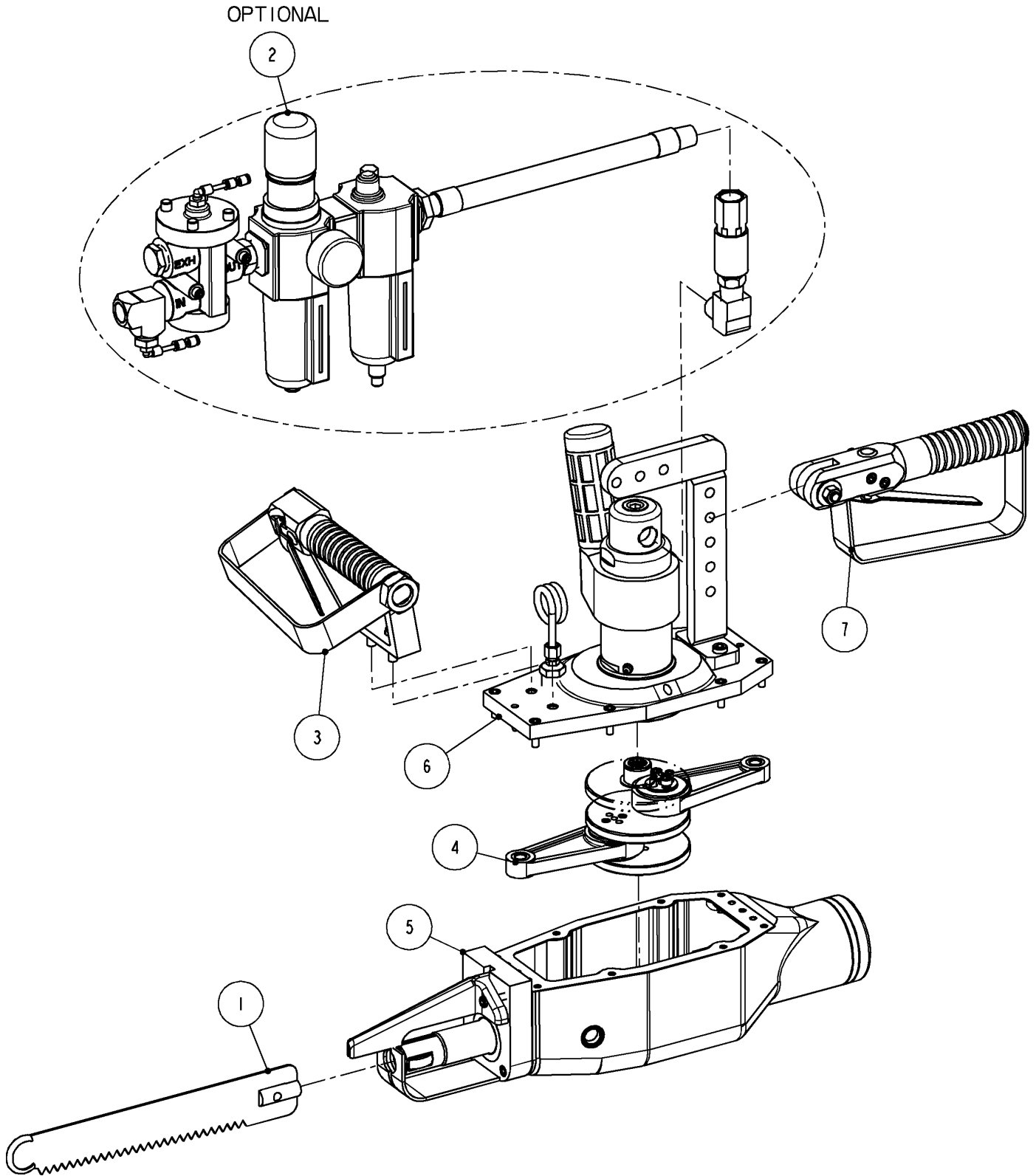


Figure 2 MODEL "ABB-II" – MAIN ASSEMBLY

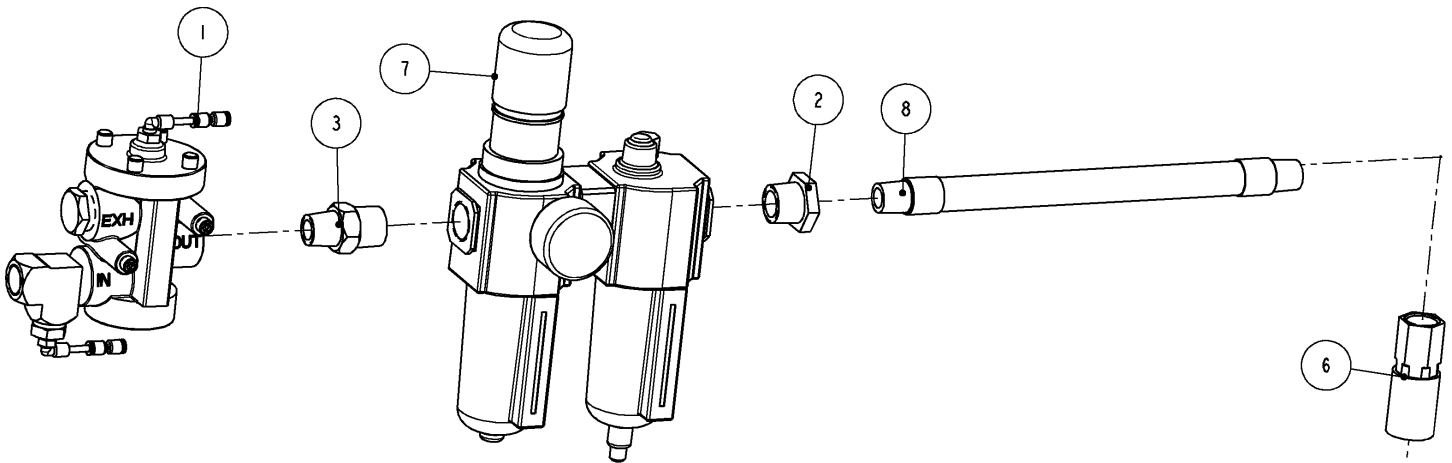
KENTMASTER MFG. CO., INC. 1801 SOUTH MOUNTAIN AVE., MONROVIA, CALIFORNIA 91016 UNITED STATES OF AMERICA

☎ TELEPHONE: (626) 359-8888 FAX: (626) 303-5151

6330000: ABB-II, BEEF BRISKET SAW, AIR			
ITEM	PART #	DESCRIPTION	QTY
1	4100220	BLADE, 12.0" LONG, 3 TPI	1
	4100221	BLADE, 10.5" LONG, 3 TPI	1
	4100222	BLADE, 12.0" LONG, 4 TPI	1
2	6001607	POPPET VALVE, LUBRICATOR/FILTER/REGULATOR & AIR HOSE/ OPTIONAL	1
3	6551340	AIR HANDLE, FRONT	1
4	6552010	DRIVE LINK	1
5	6552020	HOUSING ASSEMBLY	1
6	6552030	DRIVE ASSEMBLY, AIR	1
7	6600530	AIR HANDLE, REAR	1

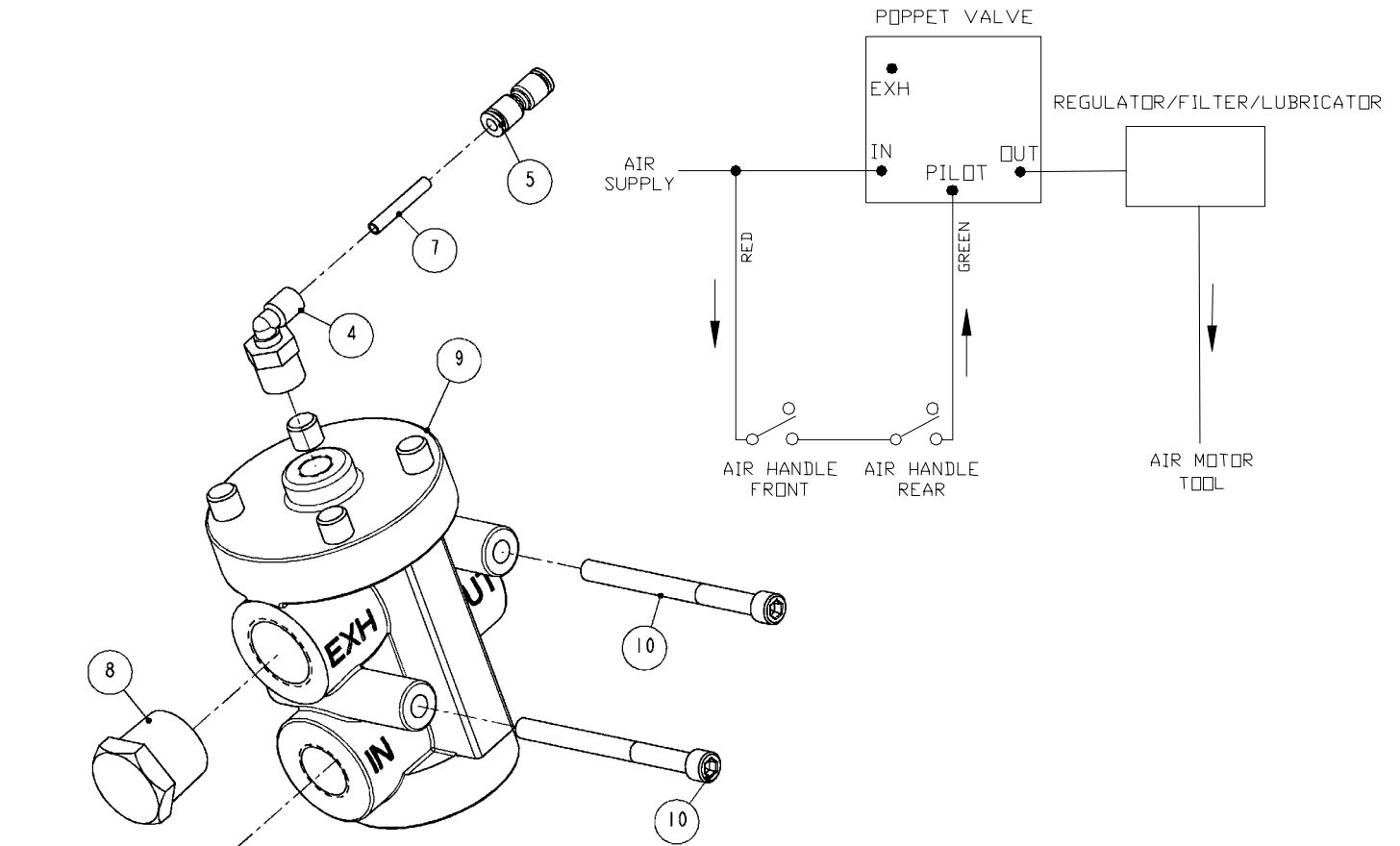
MODEL "ABB-II" REQUIRES POPPET VALVE (#6001605- SEE KIT 6001607).
AN AIR FILTER-REGULATOR-LUBRICATOR (#7200030) MUST BE INSTALLED IN AIR SUPPLY FOR EACH TOOL.

Figure 3 BOM FOR MODEL "ABB-II"



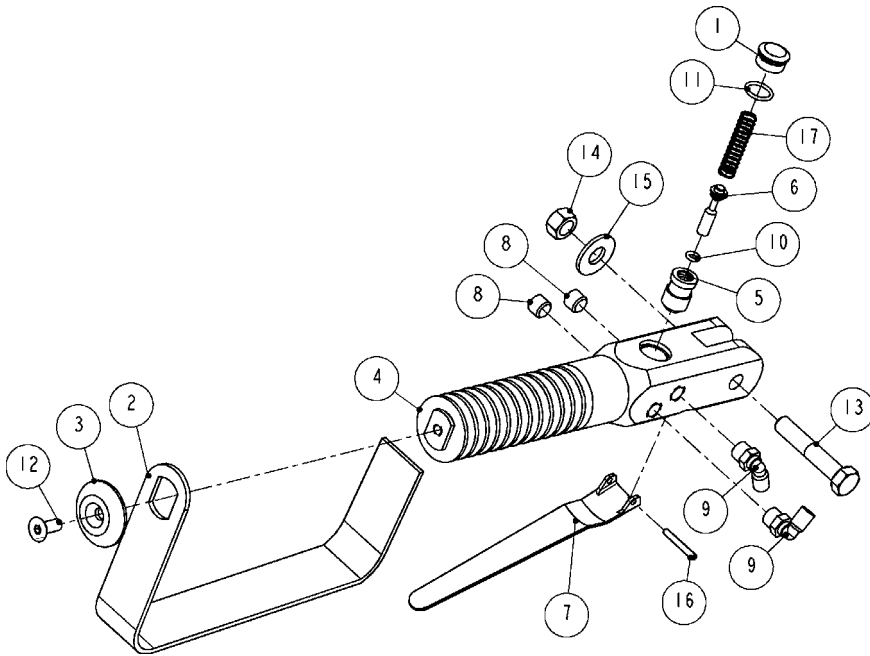
6001607: POPPET VALVE, REGULATOR/FILTER/LUBRICATOR & AIR HOSE			
ITEM	PART #	DESCRIPTION	QTY
1	6001605	POPPET VALVE ASSEMBLY	1
2	7002450	BUSHING	1
3	7002680	ADAPTER	1
4	7003130	ELBOW COUPLING	1
5	7034060	MALE QUICK CONNECT	1
6	7034260	FEMALE SOCKET	1
7	7200030	REGULATOR/FILTER/LUBRICATOR	1
8	7310040	AIR HOSE	1

Figure 4 6001607: POPPET VALVE, REGULATOR/FILTER/LUBRICATOR & AIR HOSE



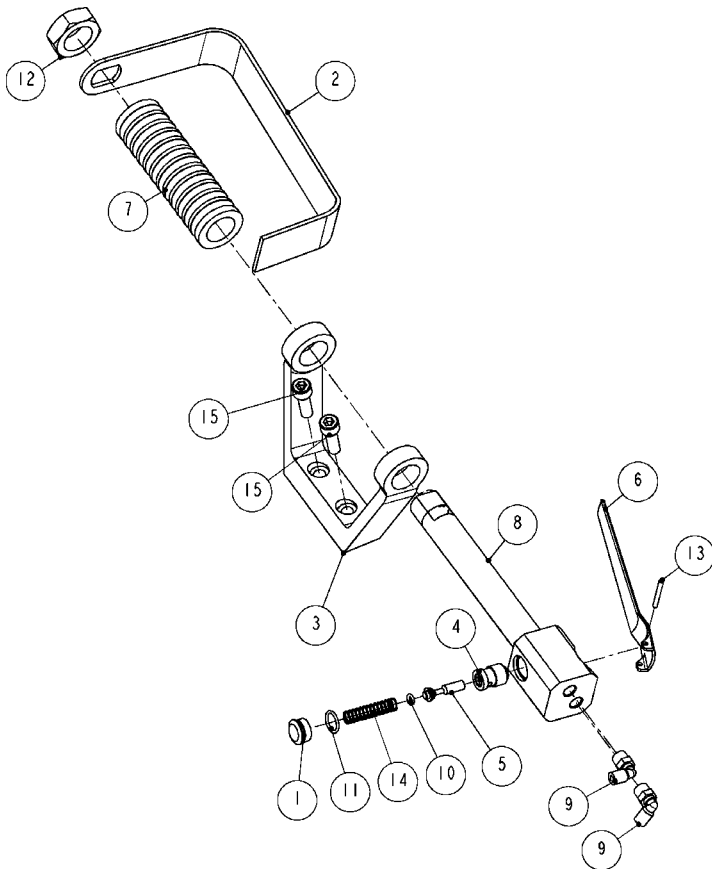
6001605: POPPET VALVE ASSEMBLY			
ITEM	PART #	DESCRIPTION	QTY
1	7003680	BUSHING	1
2	7004330	TEE, STREET	1
3	7036350	ELBOW	1
4	7036520	ELBOW	1
5	7037860	UNION	2
6	7300970	RED AIR TUBE	1
7	7300980	GREEN AIR TUBE	1
8	7802050	BREATHER VENT FILTER	1
9	7802500	POPPET VALVE	1
10	8211240	SCREW	2

Figure 5 6001605: POPPET VALVE ASSEMBLY



6600530: AIR HANDLE, REAR			
ITEM	PART #	DESCRIPTION	QTY
1	6300770	VALVE PLUG	1
2	6541690	GUARD	1
3	6541720	RETAINER	1
4	6600340	HANDLE	1
5	6600350	BUSHING	1
6	6600360	VALVE STEM	1
7	6600500	LEVER	1
8	7000010	PLUG	2
9	7036510	ELBOW	2
10	7680080	O-RING	1
11	7680140	O-RING	1
12	8241050	SCREW	1
13	8415160	SCREW	1
14	8500150	NUT	1
15	8505160	WASHER	1
16	8620080	PIN	1
17	8890010	SPRING	1

Figure 6 6600530: AIR HANDLE, REAR



6551340: AIR HANDLE, FRONT			
ITEM	PART #	DESCRIPTION	QTY
1	6300770	VALVE PLUG	1
2	6541690	GUARD	1
3	6551270	BRACKET	1
4	6600350	BUSHING	1
5	6600360	VALVE STEM	1
6	6600500	LEVER	1
7	6620350	SLEEVE	1
8	6620390	HANDLE	1
9	7036510	ELBOW	2
10	7680080	O-RING	1
11	7680140	O-RING	1
12	8500580	NUT	1
13	8620080	PIN	1
14	8890010	SPRING	1
15	9213080	SCREW	2

Figure 7 6551340: AIR HANDLE, FRONT

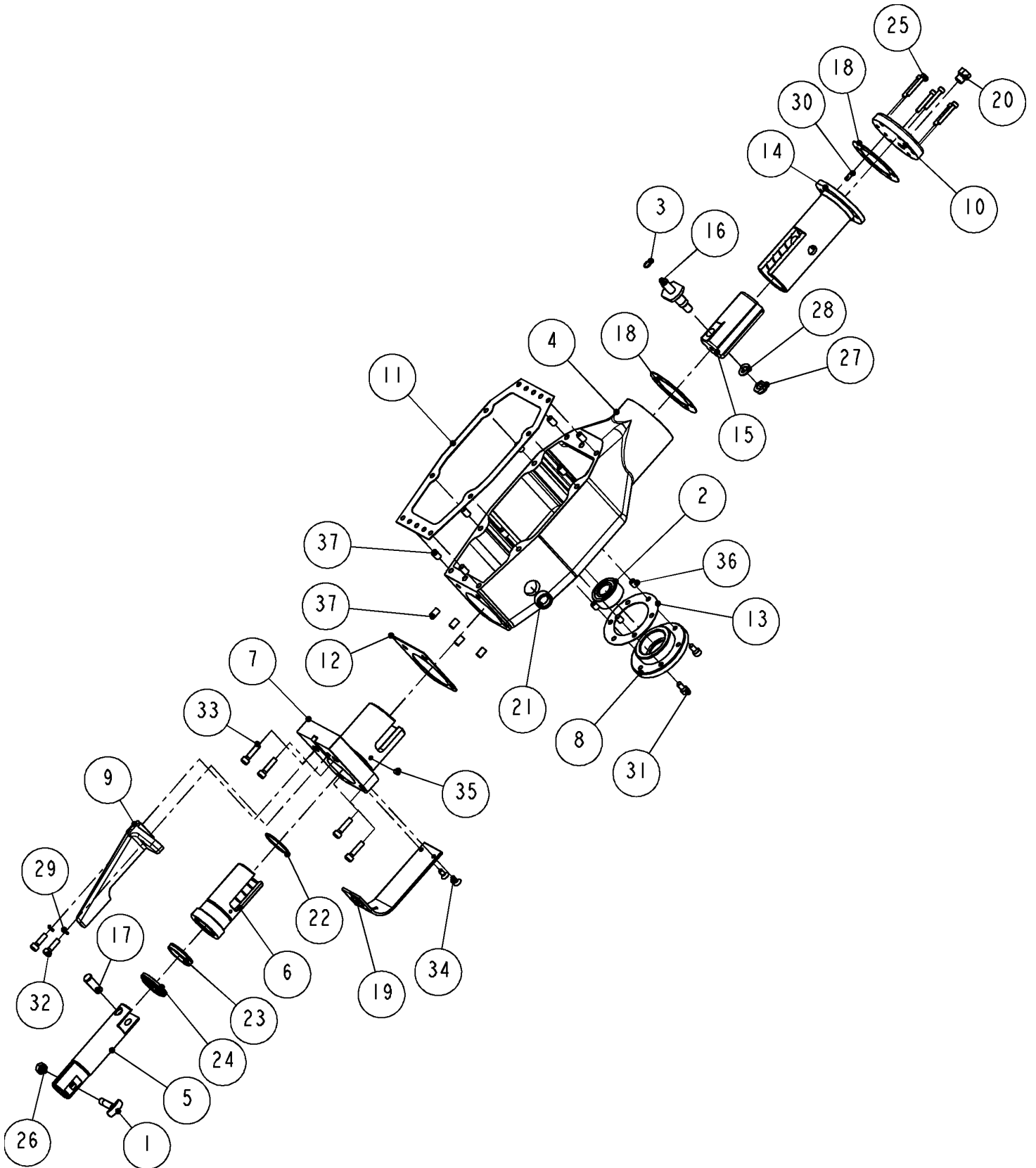
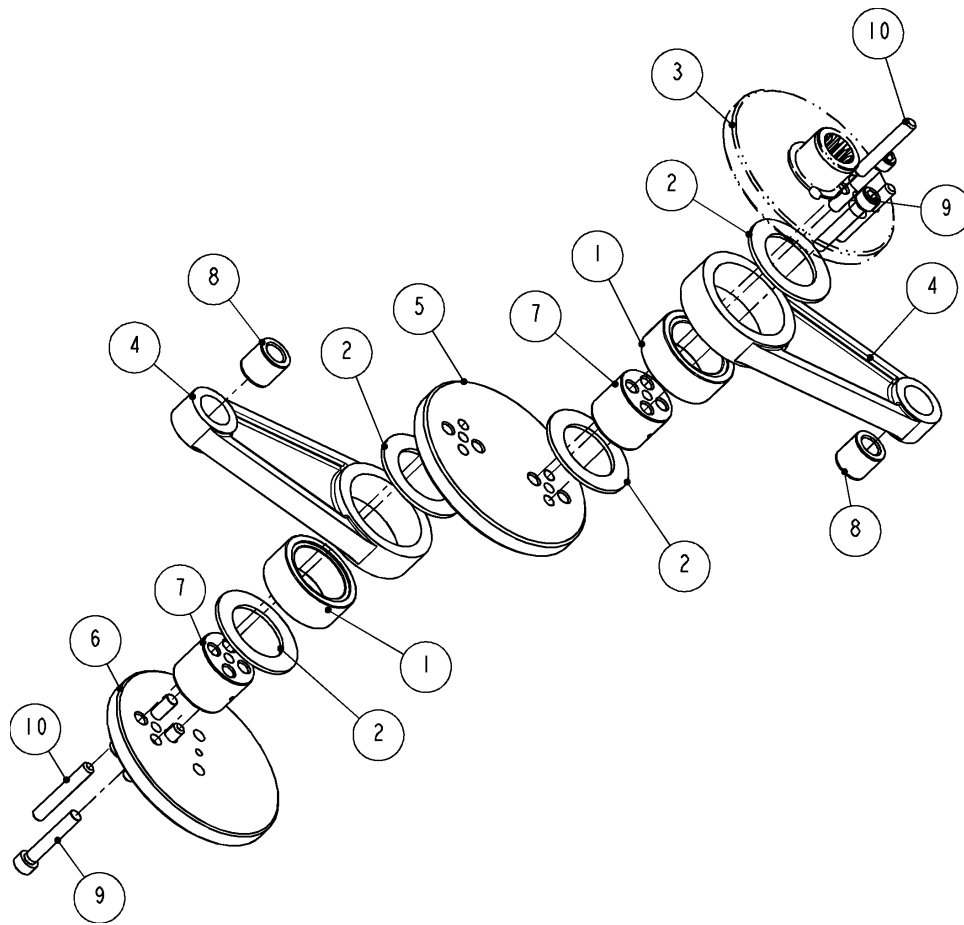


Figure 8 6552020: HOUSING ASSEMBLY

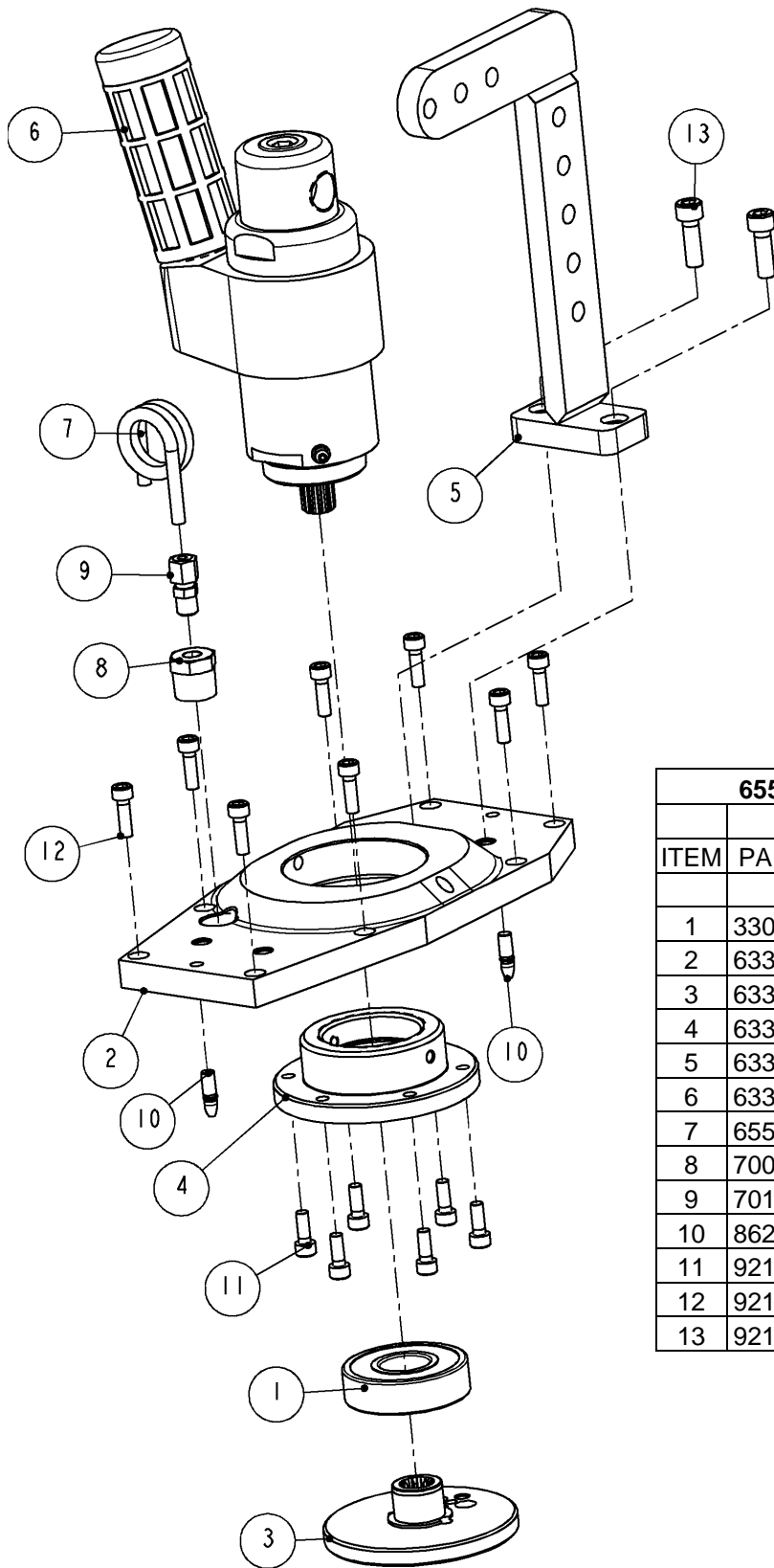
6552020: HOUSING ASSEMBLY			
ITEM	PART #	DESCRIPTION	QTY
1	1052640	STEP BOLT	1
2	3520030	BEARING	1
3	5100390	RETAINING RING	1
4	6551100	HOUSING	1
5	6551150	SHAFT	1
6	6551160	BUSHING	1
7	6551170	BEARING HOUSING	1
8	6551180	FLANGE	1
9	6551210	GUIDE	1
10	6551220	FLANGE	1
11	6551230	GASKET	1
12	6551240	GASKET	1
13	6551250	GASKET	1
14	6551290	BUSHING	1
15	6551300	SHAFT	1
16	6551310	PIN	1
17	6551320	PIN	1
18	6551330	GASKET	2
19	6551400	GUIDE	1
20	7000210	PLUG	1
21	7240710	WINDOW	1
22	7680290	O-RING	1
23	7711140	SEAL	1
24	7711150	ROD WIPER	1
25	8210100	SCREW	6
26	8500130	NUT	1
27	8504870	NUT	1
28	8506160	WASHER	1
29	8506600	WASHER	2
30	8620250	PIN	1
31	9211040	SCREW	3
32	9211060	SCREW	2
33	9211080	SCREW	4
34	9239040	SCREW	2
35	9333000	SET SCREW	2
36	9803060	INSERT	3
37	9803150	INSERT	12

Figure 9 BOM FOR 6552020: HOUSING ASSEMBLY



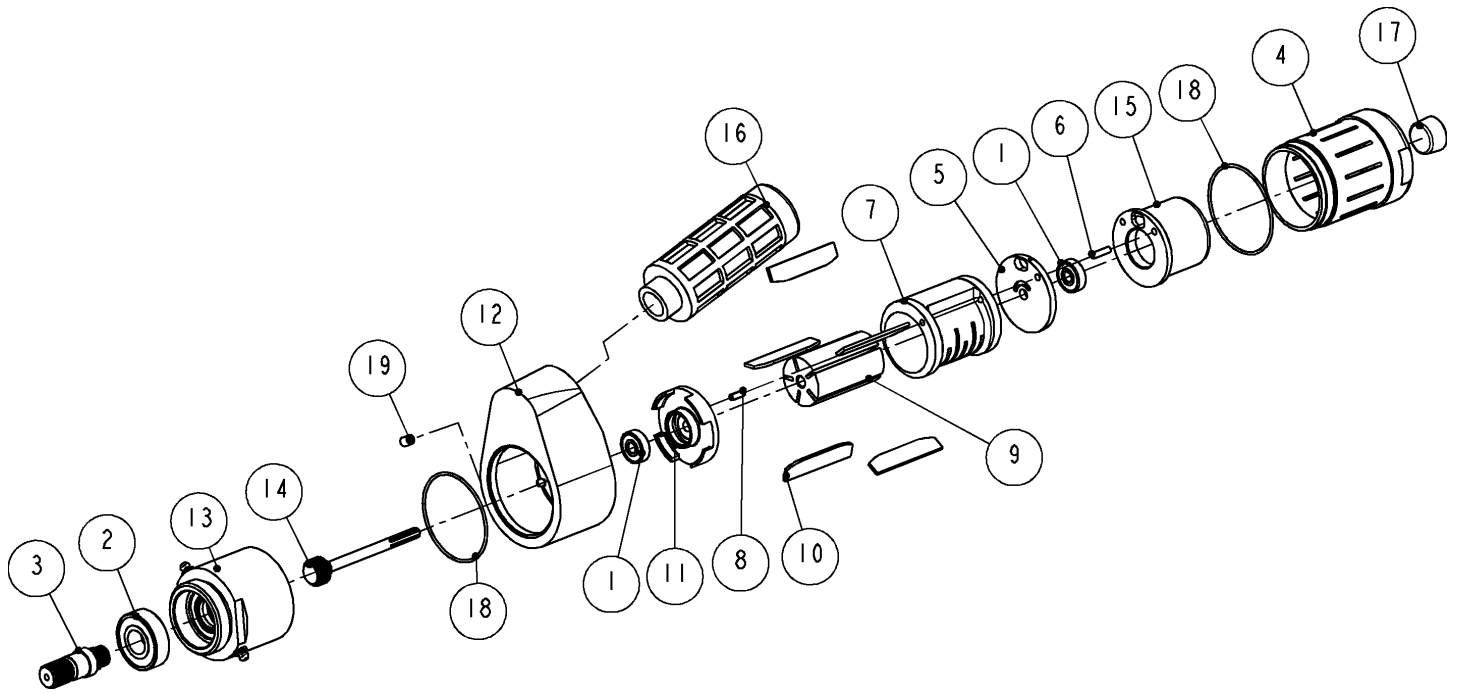
6552010: DRIVE LINK			
ITEM	PART #	DESCRIPTION	QTY
1	3705550	BEARING	2
2	3705590	WASHER	4
3	6330110	FLANGE	-
4	6551110	LINK	2
5	6551120	MIDDLE ECCENTRIC	1
6	6551130	FLANGE	1
7	6551200	JORNAL	2
8	6551440	BEARING	2
9	9211111	SCREW	4
10	9620520	PIN	4

Figure 10 6552010: DRIVE LINK



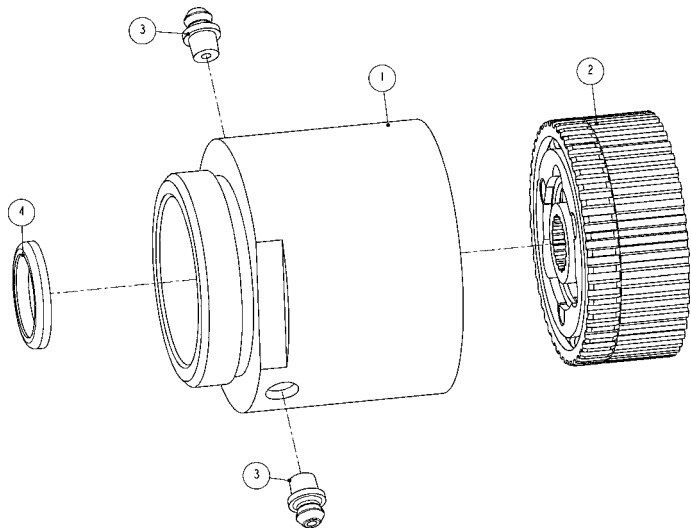
6552030: DRIVE ASSEMBLY, AIR			
ITEM	PART #	DESCRIPTION	QTY
1	3303050	BEARING	1
2	6330100	COVER, HOUSING	1
3	6330110	FLANGE	1
4	6330120	FLANGE	1
5	6330140	HANGER	1
6	6330150	AIR MOTOR ASSEMBLY	1
7	6551390	TUBE	1
8	7003680	BUSHING	1
9	7011230	CONNECTOR	1
10	8622500	DOWEL PIN	2
11	9211050	SCREW	6
12	9211060	SCREW	8
13	9213080	SCREW	2

Figure 11 6552030: DRIVE ASSEMBLY, AIR



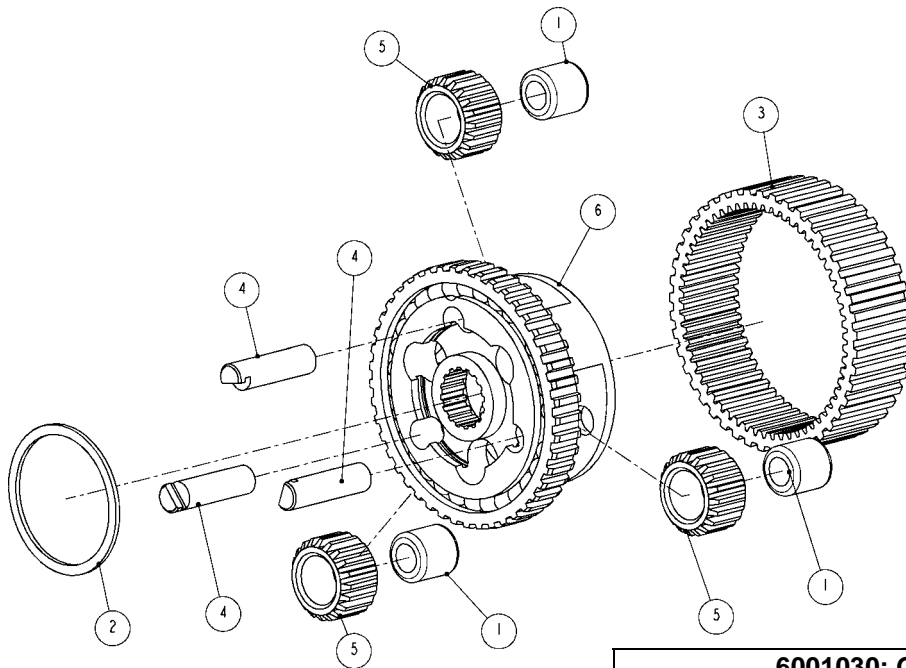
6330150; AIR MOTOR & GEAR CASE ASSEMBLY			
ITEM	PART #	DESCRIPTION	QTY
1	3072370	BEARING	2
2	3204030	BEARING	1
3	6000170	DRIVE SHAFT	1
4	6000660	HOUSING - AIR MOTOR	1
5	6000700	UPPER END PLATE	1
6	6000710	PIN	1
7	6000720	CYLINDER	1
8	6000730	PIN	1
9	6000740	ROTOR	1
10	6000750	ROTOR BLADES (SET OF 5)	5
11	6000760	LOWER END PLATE	1
12	6000940	DEFLECTOR	1
13	6001010	GEAR CASE ASSEMBLY	1
14	6001020	LONG GEAR SPINDLE	1
15	6320160	HEAD, AIR MOTOR	1
16	6330160	MUFFLER	1
17	7000040	PLUG	1
18	7680360	O-RING	2
19	8311030	SET SCREW	1

Figure 12 6330150: AIR MOTOR AND GEAR CASE ASSEMBLY



6001010: GEAR CASE ASSEMBLY			
ITEM	PART #	DESCRIPTION	QTY
1	6000860	GEAR CASE	1
2	6001030	GEAR CAGE	1
3	7017110	GREASE FITTING	2
4	7774100	SEAL	1

Figure 13 6001010: GEAR CASE ASSEMBLY

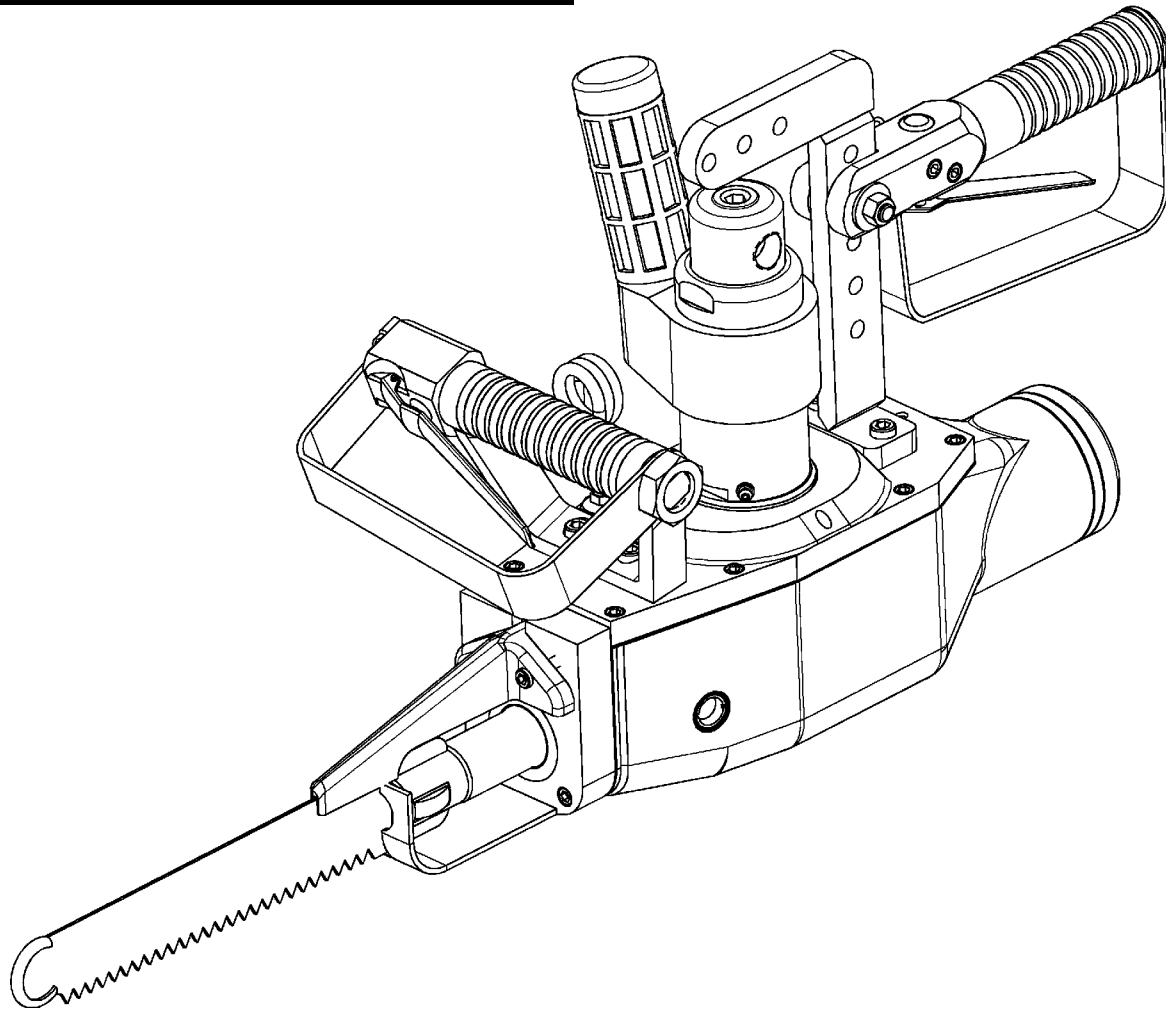


6001030: GEAR CAGE ASSEMBLY			
ITEM	PART #	DESCRIPTION	QTY
1	3700470	NEEDLE BEARING	3
2	5601250	RETAINING RING	1
3	6000790	RING GEAR	1
4	6001040	PIN	3
5	6001050	IDLER GEAR	3
6	6001060	GEAR CAGE AND SPLINE RING	1

Figure 14 6001030: GEAR CAGE ASSEMBLY

[ENGLISH]

GENERAL INFORMATION



MODELS "ABB-II" AIR BEEF BRISKET SAW

SERVICE CENTERS

KENTMASTER LTD. (U.K)
16 AVONBANK INDUSTRIAL CENTRE
WEST TOWN ROAD
AVONMOUTH - BRISTOL BS11 9DE
UNITED KINGDOM

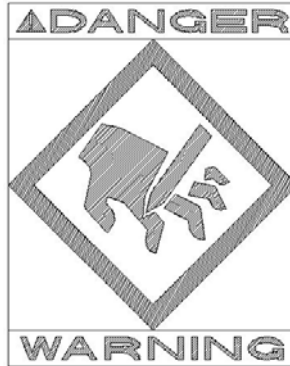
☎ TELEPHONE: ++ 44- (0) 117- 9235035
FAX: ++ 44- (0) 117- 9829010

KENTMASTER MFG. CO., INC.
1801 SOUTH MOUNTAIN AVE.
MONROVIA, CALIFORNIA 91016
UNITED STATES OF AMERICA

☎ TELEPHONE: (626) 359-8888
FAX: (626) 303-5151

NOTICE TO EMPLOYER AND PURCHASER OF TOOL
NOTICE TO SAFETY DIRECTOR

You have purchased a powerful tool that, if misused, can cause severe injury and harm to your employees. You must instruct your employees in the safe and proper use of this tool and to follow the safety procedures and instructions that have been supplied by the manufacturer of this tool. Please follow the following instructions.



1. Instruct tool operators to test the tool each day before using it to be sure it does not malfunction. Remove and repair any tool that malfunctions.
2. Instruct tool operators to immediately stop using a tool that malfunctions or is defective.
3. Instruct personnel to immediately remove all tools that malfunction. Be sure to disconnect tool from power supply.
4. Instruct all personnel to stay clear of tool, and not to stand or walk in front of, or next to tool when in use.
5. Point out to all personnel the dangers related to the misuse of tool and the importance of following safety procedures and instructions.
6. Do not make, or allow others to make, alterations or modifications to this tool. Replace all lost or illegible labels.
7. Follow all safety, installation and maintenance instructions provided with this tool. Establish proper safety procedures in accordance with local and national requirements to prevent accidental energizing of tool that can cause injuries.
8. If this tool is sold or change in ownership takes place, you must provide the new owner all safety instructions, notices and maintenance instructions you were originally provided. You can obtain additional copies of the instructions from Kentmaster, free of charge upon request.
9. Give copies of instructions to: **(A) Tool Operators**
(B) Maintenance Supervisor
(C) Clean-up Supervisor

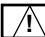
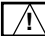

GENERAL INFORMATION

COVERING: SAFETY PRECAUTIONS AND PLACING INTO SERVICE
AIR POWERED BEEF BRISKET SAW

READ THIS MANUAL CAREFULLY BEFORE INSTALLING, OPERATING OR SERVICING THIS TOOL

IT IS THE RESPONSIBILITY OF THE EMPLOYER TO PLACE THIS INFORMATION INTO THE HANDS OF THE OPERATOR.

PLACING INTO SERVICE

-  **WARNING** = Hazards or unsafe practices which could result in severe personal injury, death or substantial property damage.
-  **CAUTION** = Hazards or unsafe practices which could result in minor personal injury, product or property damage.
-  **NOTICE** = Important installation, operation or maintenance information.

 **WARNING**

Installation, adjustment repair and maintenance of this tool must be made by trained and qualified personnel.

 **WARNING**

Always disconnect power supply from tool before:

- (A) Installing or removing blade from tool.
- (B) Making repairs or adjustments to the tool.
- (C) performing maintenance or cleanup work.

INSTALLATION INSTRUCTIONS

MAINTENANCE

 **WARNING**

ONLY TRAINED AND QUALIFIED PERSONNEL ARE TO PERFORM MAINTENANCE AND SERVICE TO THIS TOOL.

THE COMPRESSED AIR DISTRIBUTION SYSTEM MUST BE LARGE ENOUGH TO SUPPLY AN ADEQUATE VOLUME OF CLEAN AND DRY COMPRESSED AIR TO THE TOOL.

1. MAKE ALL NECESSARY LINE CONNECTIONS TO THE TOOL.
2. AN AIR FILTER-REGULATOR-LUBRICATOR (PART NO. 7200030) MUST BE INSTALLED IN AIR SUPPLY FOR EACH TOOL.
3. FILL LUBRICATOR WITH KENTMASTER AIR MIST OIL (PART NO. 7903050). SET DRIP RATE ACCORDING TO INSTRUCTIONS SUPPLIED. TURN ADJUSTMENT ON SIGHT FEED DOME TO INCREASE/DECREASE OIL DELIVERY. MONITOR THE DEVICE BEING LUBRICATED AND READJUST IF NEEDED.
4. TOOL REQUIRES GREASING AT START OF EACH SHIFT. GREASE TWO (2) LOCATIONS USING KENTMASTER GREASE GUN (PART NO. 4501470) AND GREASE (PART NO. 7903070).
5. TOOL REQUIRES 40 S.C.F.M. OF AIR @ 90 P.S.I. AIR PRESSURE.
6. FLUSH AIR MOTOR AT END OF EACH DAY'S USE BY SQUIRTING A FEW SQUIRTS OF KENTMASTER AIR OIL MIST (PART 7903050) DIRECTLY INTO THE AIR INLET PORT. RUN TOOL A FEW SECONDS TO COAT AND PROTECT THE AIR MOTOR AND INTERNAL PARTS OF TOOL

KENTMASTER MFG. CO., INC. 1801 SOUTH MOUNTAIN AVE., MONROVIA, CALIFORNIA 91016 UNITED STATES OF AMERICA
☎ TELEPHONE: (626) 359-8888 FAX: (626) 303-5151

7. A BALANCER IS REQUIRED FOR OPERATION AND USE OF THIS TOOL. WEIGHT OF TOOL MUST FALL WITHIN WEIGHT RANGE OF BALANCER.
8. INSTALL BALANCER ABOVE WORK AREA. BALANCER MUST HAVE SUFFICIENT VERTICAL TRAVEL SO OPERATOR CAN REACH ENTIRE WORK AREA WITH TOOL WITHOUT STRAIN.
9. ADJUST BALANCER ACCORDING TO THE OPERATOR'S PREFERENCE AND COMFORT.



WE STRONGLY SUGGEST THAT AN ADDITIONAL SAFETY CHAIN BE USED TO CHAIN BALANCER TO OVERHEAD TROLLEY. THIS ADDITIONAL MEASURE OF SAFETY WILL HELP REDUCE INJURIES.

OPERATING INSTRUCTIONS

 **ONLY TRAINED PERSONNEL ARE TO OPERATE THIS TOOL.**

1. HOLD TOOL FIRMLY AT BOTH TRIGGER HANDLES. SQUEEZE TRIGGERS SIMULTANEOUSLY TO ACTIVATE TOOL.
2. DO NOT EXERT EXCESSIVE PRESSURE. ALLOW TIME FOR THE TOOL TO CUT.

MAINTENANCE

 **ONLY TRAINED AND QUALIFIED PERSONNEL ARE TO PERFORM MAINTENANCE AND SERVICE TO THIS TOOL.**

1. FOLLOW PROCEDURES NO. 3 TO 6 OF INSTALLATION INSTRUCTIONS.

BLADE REMOVAL AND CLEANING.



ALWAYS DISCONNECT POWER SUPPLY FROM TOOL BEFORE INSTALLING OR REMOVING BLADE FROM TOOL.



ALWAYS WEAR WIRE MESH GLOVES WHEN INSTALLING OR REMOVING BLADES FROM TOOL.

1. REMOVE NUT AND BOLT (ITEM NO. 1 AND 2, FIG. NO. 1).
2. REMOVE BLADE (ITEM NO. 3, FIG. NO. 1).
3. CLEAN ALL PARTS REMOVED WITH SOAP AND WATER.
4. SHARPEN OR REPLACE BLADES WHEN NECESSARY.
5. REASSEMBLE IN REVERSE ORDER.

SERVICE

1. KEEP GOOD RECORDS OF ALL SERVICE ACTIVITY AND INCLUDE TOOL IN YOUR PREVENTIVE MAINTENANCE PROGRAM.
2. USE ONLY GENUINE KENTMASTER REPLACEMENT PARTS TO ASSURE PROPER PERFORMANCE OF TOOL.
3. CONTACT THE KENTMASTER SUPPLIER NEAREST YOU FOR PARTS AND CUSTOMER SERVICE INFORMATION.

DECLARATION OF CONFORMITY

DECLARATION OF CONFORMITY

DECLARATION DE CONFORMITE -DECLARACION DE CONFORMIDAD- ERKLARUNG BEZUGLICH EINHALTUNG DER VORSCHRIFTEN
DICHIARAZIONE DI CONFORMITA . CONFORMITEITSVERKLARING

MANUFACTURED BY:

FABRIQUE PAR:
FABRICADA POR:
HERGESTELLTVON:
FABBRICATO DA:
VERVAARDIGD DOOR:

KENTMASTER MFG CO., INC.

1801 SOUTH MOUNTAIN AVE.
MONROVIA, CALIFORNIA 91016
UNITED STATES OF AMERICA
TELEPHONE (626) 359-8888 FAX (626) 303-5151

TYPE / SERIES: AIR BEEF BRISKET SAW

TYPE / SERIE:
TIPO / SERIE:
TYP / SERIE:
TIPO / SERIE:
TYPE / SERIE:

MODEL: ABB-II

MODELE:
MODELO:
MODELL:
MODELLO:
MODEL:

SERIAL NO. RANGE: XXXXX

N SERIE: • GAMA DE No. DE SERIE: • SERIEN-NR.-BEREICH: • NUMERI DI SERIE: • SERIENUMMERS:

This product complies with the following European Community Directives:

Ce produit est conforme aux directives de la Communauté européenne suivantes:
Este producto cumple con las siguientes Directrices de la Comunidad Europea:
Dieses Produkt erfüllt die folgenden Vorschriften der Europäischen Gemeinschaft:
Questo prodotto è conforme alle seguenti direttive CEE:
Dit produkt voldoet aan de volgende EG-richtlijnen:

89/392/EEC, 91/368/EEC, 93/44/EEC, 93/68/EEC

The following Standards were used to verify compliance with the Directives:

Les normes suivantes ont été utilisées pour vérifier la conformité avec les Directives:
Las siguientes Normas se usaron para verificar el cumplimiento de las Directrices:
Folgende Normen wurden angewandt, um Erfüllung der Vorschriften zu bestätigen:
Per verificare la conformità del prodotto alle direttive sono stati usati i seguenti standard:
De volgende normen zijn gebruikt om naleving van de richtlijnen te bevestigen:

EN 292

Approved by: _____

RALPH KARUBIAN MONROVIA, CA. U.S.A

(Engineering Manager) (Directeur technique) (gerente de ingenieria) (verantwortlicher Konstruktionsleiter) (Responsabile tecnico) (ondersteunend technisch manager)

Date: AUG - 1 - 1995

Kentmaster Worldwide Location

Kentmaster Equipment (Aust) PTY.LTD.
Unit 2,24 Central Court
Browns Plains Qld. 4118
Australia

Telephone: (07) 3806-8400
Fax: (07) 3806-7933
Australia@Kentmaster.com

Kentmaster do Brasil, Ltda.
Av. Dr. Joao Teodoro No. 805
Bairro De Vila Rezende
13405-240 Piracicaba, SP,
Brazil

Telephone #1: (019) 3 413 3113
Telephone #2: (019)983-4973
Fax: (019) 3 413 3113
Brazil@Kentmaster.com

Kentmaster (IRL) LTD.
Benamore, Dublin Road.
Roscrea,
CO, Tipperary,
Ireland

Telephone: (353) 0505-23292
Fax: (353) 0505-23299
Ireland@Kentmaster.com

Kentmaster Equipment (NZ) LTD.
5 Cooper Street
Havelock North
New Zealand

Telephone #1: (64) 6 8777 857
Telephone #2: 0800 KENTMASTER
Fax: (64) 6 8777 858
NewZealand@Kentmaster.com

Kentmaster South Africa (PTY) LTD.
Johannesburg - S. Africa
Unit 54 Sunnyrock Park
Sunrock Close, Germiston
South Africa

Telephone: (27) 11-455-3748
Fax: (27) 11-455-3749
SouthAfrica@Kentmaster.com

Kentmaster (UK) LTD.
Unit 16 Avonbank Ind. Centre
West Town Rd, Avonmouth-Bristol,
BS11 9DE
England

Telephone: (44) 117-923-5035
Fax: (44)-117-932-9010
UK@Kentmaster.com

Kentmaster Mfg. Co., Inc.
1801 South Mountain Ave.
Monrovia, CA, 91016
USA

Telephone #1: (626) 359-8888
Telephone #2: (800) 421-1477
Fax: (626) 303-5151
info@Kentmaster.com

Kentmaster Omaha
4417 South 139th Street
Omaha, NE, 68137
USA

Telephone #1: (402) 896-3355
Telephone #2: (800) 367-3181
Fax: (402) 896-3311
Omaha@Kentmaster.com

INDEX

<i>OPERATING AND SAFETY INSTRUCTIONS</i>	2
OPERATING INSTRUCTIONS	3
MAINTENANCE	3
<i>SERVICE</i>	4
<i>PARTS BOOK</i>	5
<i>GENERAL INFORMATION</i>	17
INSTALLATION INSTRUCTIONS	17
MAINTENANCE	17
OPERATING INSTRUCTIONS	18
MAINTENANCE	18
SERVICE	18
<i>DECLARATION OF CONFORMITY</i>	19
<i>Kentmaster Worldwide Location</i>	20
<i>INDEX</i>	21
<i>FIGURES - INDEX</i>	21

FIGURES - INDEX

Figure 1 MODEL ABB-II – BLADE REPLACEMENT	4
Figure 2 MODEL “ABB-II” – MAIN ASSEMBLY	5
Figure 3 BOM FOR MODEL “ABB-II”	6
Figure 4 6001607: POPPET VALVE, REGULATOR/FILTER/LUBRICATOR & AIR HOSE	6
Figure 5 6001605: POPPET VALVE ASSEMBLY	7
Figure 6 6600530: AIR HANDLE, REAR	8
Figure 7 6551340: AIR HANDLE, FRONT	8
Figure 8 6552020: HOUSING ASSEMBLY.....	9
Figure 9 BOM FOR 6552020: HOUSING ASSEMBLY	10
Figure 10 6552010: DRIVE LINK	11
Figure 11 6552030: DRIVE ASSEMBLY, AIR	12
Figure 12 6330150: AIR MOTOR AND GEAR CASE ASSEMBLY.....	13
Figure 13 6001010: GEAR CASE ASSEMBLY.....	14
Figure 14 6001030: GEAR CAGE ASSEMBLY	14