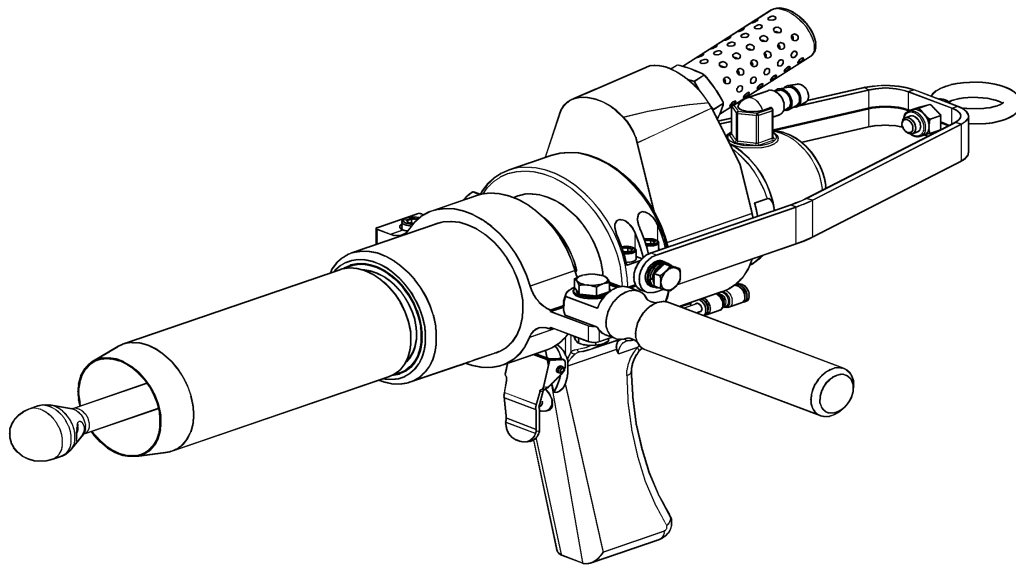


OPERATOR'S MANUAL [ENGLISH]:

HOG BUNG DROPPER

INCLUDING: OPERATION, INSTRUCTION, INSTALLATION AND MAINTENANCE

IMPORTANT: READ THIS MANUAL CAREFULLY BEFORE INSTALLING, OPERATING OR SERVICING THIS TOOL.



BUNG GUN

*High Torque Motor
Powerful Cutting Action
Easy to Clean and Sanitize*

Table of Contents

TOOL DATA.....3
 ACCESSORIES.....3
 GENERAL INFORMATION.....4
 PLACING INTO SERVICE.....4
 INSTALLATION INSTRUCTIONS.....6
 OPERATING INSTRUCTIONS.....6
 MAINTENANCE.....6
 BLADE REMOVAL AND CLEANING.....6
 SERVICE.....6
 SPARE PARTS LIST.....7
 BUNG GUN8
 BUNG GUN HOSES SCHEMATIC9
 CONTROL VALVE w/HOSES11
 CONTROL VALVE SSEMBLY.....12
 BUNG GUN TOOL ASSEMBLY.....13
 BOM - BUNG GUN TOOL ASSEMBLY.....14
 ADAPTER ASSEMBLY.....15
 HANGER ASSEMBLY.....16
 STRAIGHT HANDLE w/ BRACKET.....17
 PISTOL HANDLE ASSEMBLY18
 GEAR CASE ASSEMBLY19
 GEAR CAGE ASSEMBLY19
 AIR MOTOR ASSEMBLY20
 NOTICE TO EMPLOYER AND PURCHASER OF TOOL.....21
 Kentmaster Headquarters.....22

TOOL DATA

MODEL: BUNG GUN
ASSEMBLY NO.: 6800000
TYPE: AIR OPERATED
NET WEIGHT: 14 lbs (6.3 kg)

TOOL REQUIREMENTS:

Tool requires 40 ft³/min of air @ 90 PSI air pressure

ACCESSORIES

ACCESSORIES	PART NO.
HOG BUNG DROPPER w/o BLADE	6800100
BLADE 2.0" ID	4120010
BLADE 2 1/4" ID	4120020
BLADE 2 1/2" ID	4120030
CONTROL VALVE ASSEMBLY	1800503
SPRING BALANCERS, 13-18 Lbs, 8.2 ft TRAVEL	7100220
STERILIZER	6822300
VACUUM SYSTEM	6822000
BLADE GRINDER	6820000
AIR FILTER/REGULATOR/LUBRICATOR	7200140

GENERAL INFORMATION

COVERING: SAFETY PRECAUTIONS AND PLACING INTO SERVICE

BUNG GUN

READ THIS MANUAL CAREFULLY BEFORE INSTALLING, OPERATING OR SERVICING THIS TOOL

IT IS THE RESPONSIBILITY OF THE EMPLOYER TO PLACE THIS INFORMATION INTO THE HANDS OF THE OPERATOR.

PLACING INTO SERVICE



= Hazards or unsafe practices which could result in severe personal injury, death, or substantial property damage.



= Hazards or unsafe practices which could result in minor personal injury, product, or property damage.



= Important installation, operation or maintenance information.



Installation, adjustment repair and maintenance of this tool must be made by trained and qualified personnel.



Always disconnect power supply from tool before:
(A) Installing or removing blades from tool.
(B) Making repairs or adjustments to the tool.
(C) Performing maintenance or cleanup work.



Do not operate this tool until you have received training in the handling, operation and use of this tool.



Stop using a malfunctioning or defective tool immediately, report any problems or defects to your supervisor for removal of the tool from service.



Never place your hand or any part of your body in the cutting path of the tool.



Do not activate control switches or triggers of this tool unless you intend to test or operate this tool.



Never make alterations or modifications to this tool.

Remove and disconnect power from the tool when tool is left unattended or not in use.

INSTALLATION INSTRUCTIONS

THE COMPRESSED AIR DISTRIBUTION SYSTEM MUST BE LARGE ENOUGH TO SUPPLY AN ADEQUATE VOLUME OF CLEAN AND DRY COMPRESSED AIR TO THE TOOL.

1. MAKE ALL NECESSARY LINE CONNECTIONS TO THE TOOL.
2. AN AIR FILTER-REGULATOR-LUBRICATOR (PART NO. 7200140) MUST BE INSTALLED IN AIR SUPPLY FOR EACH TOOL.
3. FILL LUBRICATOR WITH KENTMASTER AIR MIST OIL (PART NO. 790305). SET DRIP RATE ACCORDING TO INSTRUCTIONS SUPPLIED. TURN ADJUSTMENT ON SIGHT FEED DOME TO INCREASE/DECREASE OIL DELIVERY. MONITOR THE DEVICE BEING LUBRICATED AND READJUST IF NEEDED.
4. TOOL REQUIRES GREASING AFTER EVERY 3 TO 4 HOURS OF OPERATION. GREASE TWO (2) LOCATIONS USING KENTMASTER GREASE GUN (PART NO. 4501470) AND GREASE (PART NO. 7903070).
5. TOOL REQUIRES 40 S.C.F.M. OF AIR @ 90 P.S.I. AIR PRESSURE.

OPERATING INSTRUCTIONS

 WARNING ONLY TRAINED PERSONNEL ARE TO OPERATE THIS TOOL.

1. HOLD TOOL FIRMLY IN HAND WITH TRIGGER LEVER IN POSITION TO BE ACTIVATED BY FINGERS.
2. SQUEEZE TRIGGER TO ACTIVATED TOOL, RELEASE TRIGGER TO DEACTIVATE TOOL.
3. POSITION TOOL AND PERFORM CUTTING OPERATION.
4. DO NOT LAY TOOL DOWN WHEN TOOL IS NOT BEING USED.

MAINTENANCE

 WARNING ONLY TRAINED AND QUALIFIED PERSONNEL ARE TO PERFORM MAINTENANCE AND SERVICE TO THIS TOOL.

1. FOLLOW PROCEDURE NOS. 3 AND 4 OF INSTALLATION INSTRUCTIONS.
2. FLUSH AIR MOTOR AT END OF EACH DAY'S USE BY SQUIRTING A FEW SQUIRTS OF KENTMASTER AIR OIL MIST (PART NO. 7903050) DIRECTLY INTO THE AIR INLET PORT. RUN TOOL A FEW SECONDS TO COAT AND PROTECT THE AIR MOTOR AND INTERNAL PARTS OF TOOL.

BLADE REMOVAL AND CLEANING

 WARNING ALWAYS DISCONNECT POWER SUPPLY FROM TOOL BEFORE INSTALLING OR REMOVING BLADES FROM TOOL.

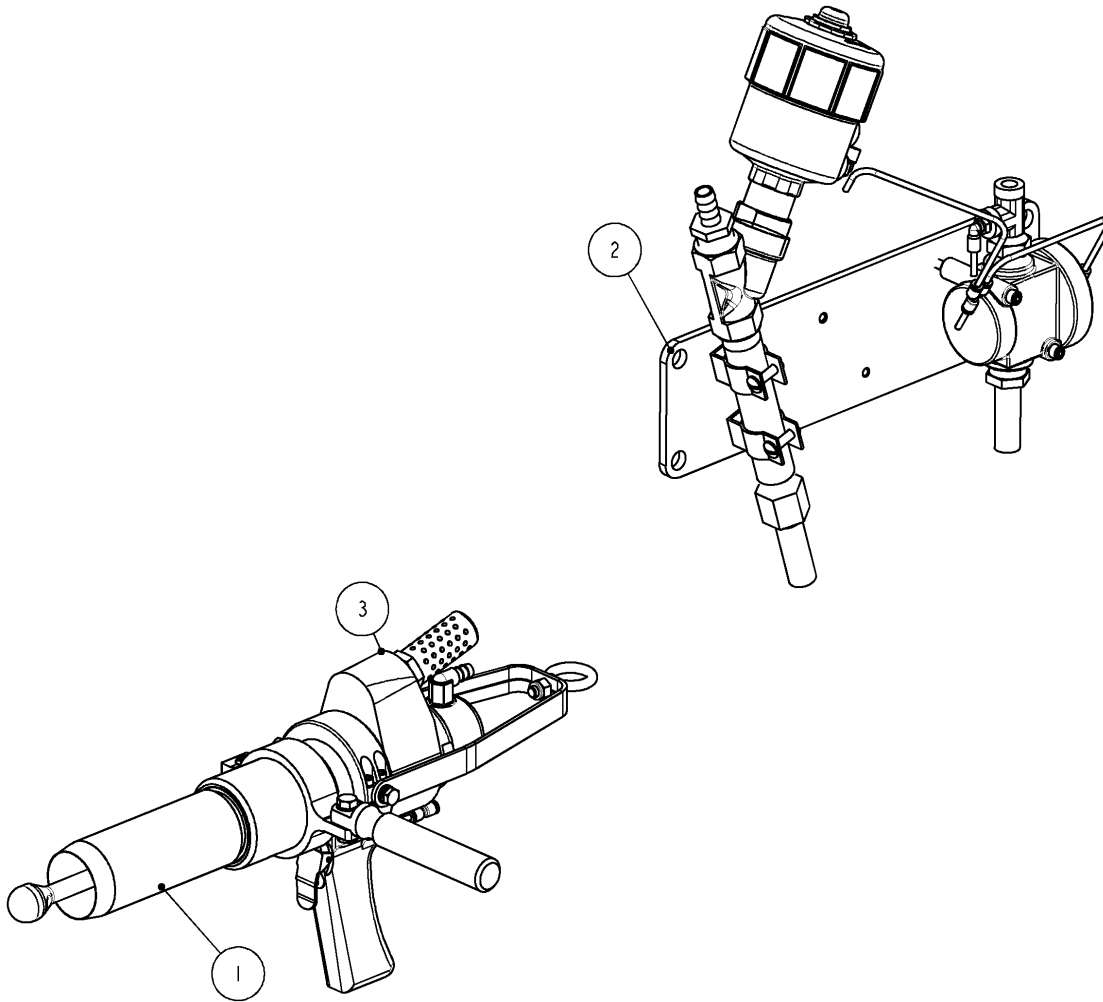
1. REMOVE PILOT (PART NO. 1800020, FIG. NO. 5).
2. REMOVE BLADE (PART NO. 4120010/20/30, FIG. NO. 1).
3. ALIGN TWO(2) 5/16" DIAMETER HOLES IN BLADE TO DOWEL PINS DURING REASSEMBLY.
4. SHARPEN BLADES WHEN NECESSARY.
5. REASSEMBLE ALL PARTS IN REVERSE ORDER.

SERVICE

1. KEEP GOOD RECORDS OF ALL SERVICE ACTIVITY AND INCLUDE TOOL IN YOUR PREVENTIVE MAINTENANCE PROGRAM.
2. USE ONLY GENUINE KENTMASTER REPLACEMENT PARTS TO ASSURE PROPER PERFORMANCE OF TOOL.
3. CONTACT THE KENTMASTER SUPPLIER NEAREST YOU FOR PARTS AND CUSTOMER SERVICE INFORMATION.

SPARE PARTS LIST**RECOMMENDED SPARE PARTS**

PART NO.	DESCRIPTION	QTY
4120010	Blade, 2.0" ID	3
4120020	Blade, 2 1/4" ID	3
4120030	Blade, 2 1/2" ID	3
4120040	Blade, 3.0" ID	3
1800020	Pilot	1
1800040	Cup Seal	1
1800060	Pin – Cup Seal	2
1800070	Bearing – bronze	1
3204030	Bearing – ball	1
7798240	Seal – Shaft	1

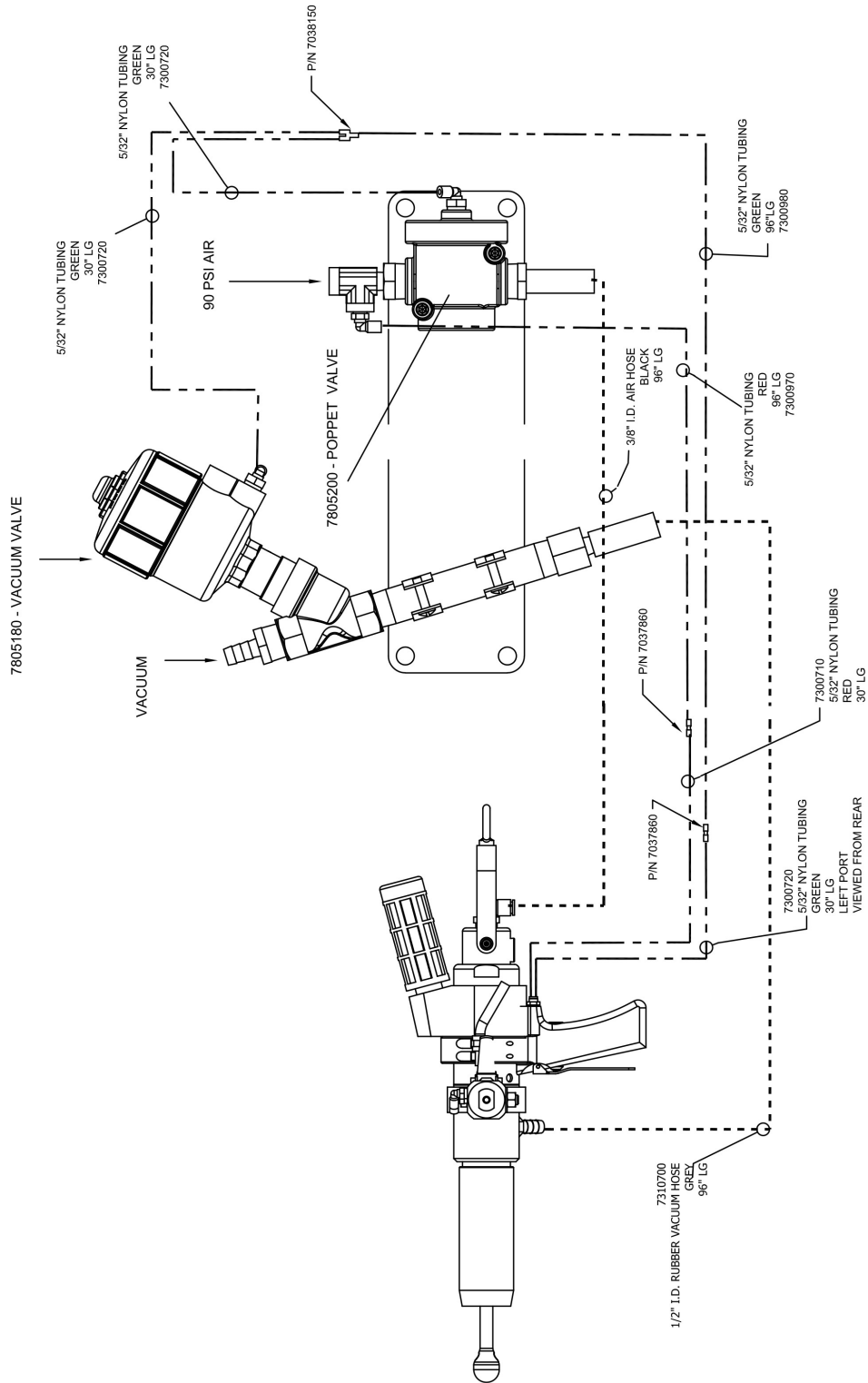


6800000: BUNG GUN ASSEMBLY			
ITEM	PART #	DESCRIPTION	QTY
1	4120000	BLADE	1
2	1800503	CONTROL VALVE	1
3	6800100	BUNG GUN TOOL	1

4120040	BLADE, 3.0" ID
4120030	BLADE, 2 1/2" ID
4120020	BLADE, 2 1/4" ID
4120010	BLADE, 2.0" ID
PART NO.	DESCRIPTION
ITEM 1, BLADE OPTIONS (REQUIRED)	

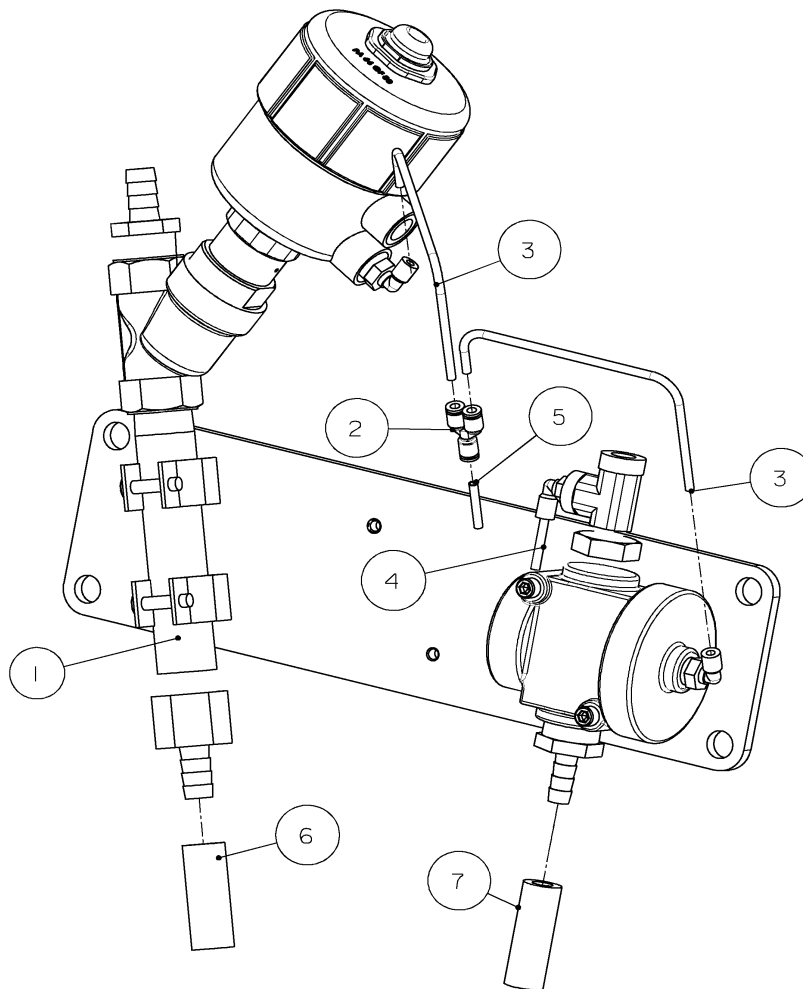
For hoses and connections see hoses schematic – Figure 2.

BUNG GUN



BUNG GUN HOSES SCHEMATIC

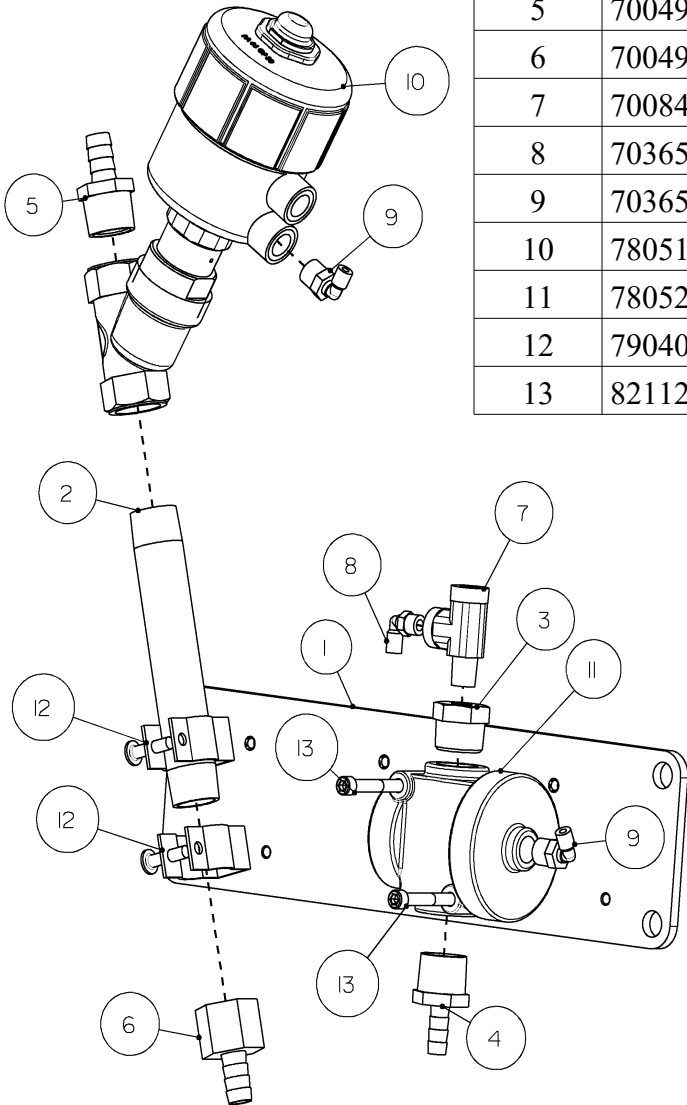
BUNG GUN – VALVE CONNECTIONS			
ITEM	PART #	DESCRIPTION	QTY
1	7300710	RED TUBING 5/32", 30" LONG	1
2	7300720	GREEN TUBING 5/32", 30" LONG	4
3	7037860	UNION	4
4	7038150	Y-CONNECTOR	1
5	7300970	GREEN TUBING 5/32", 96" LONG	1
6	7300980	RED TUBING 5/32", 96" LONG	1
7	7310710	3/8" HOSE – 96" LONG	1



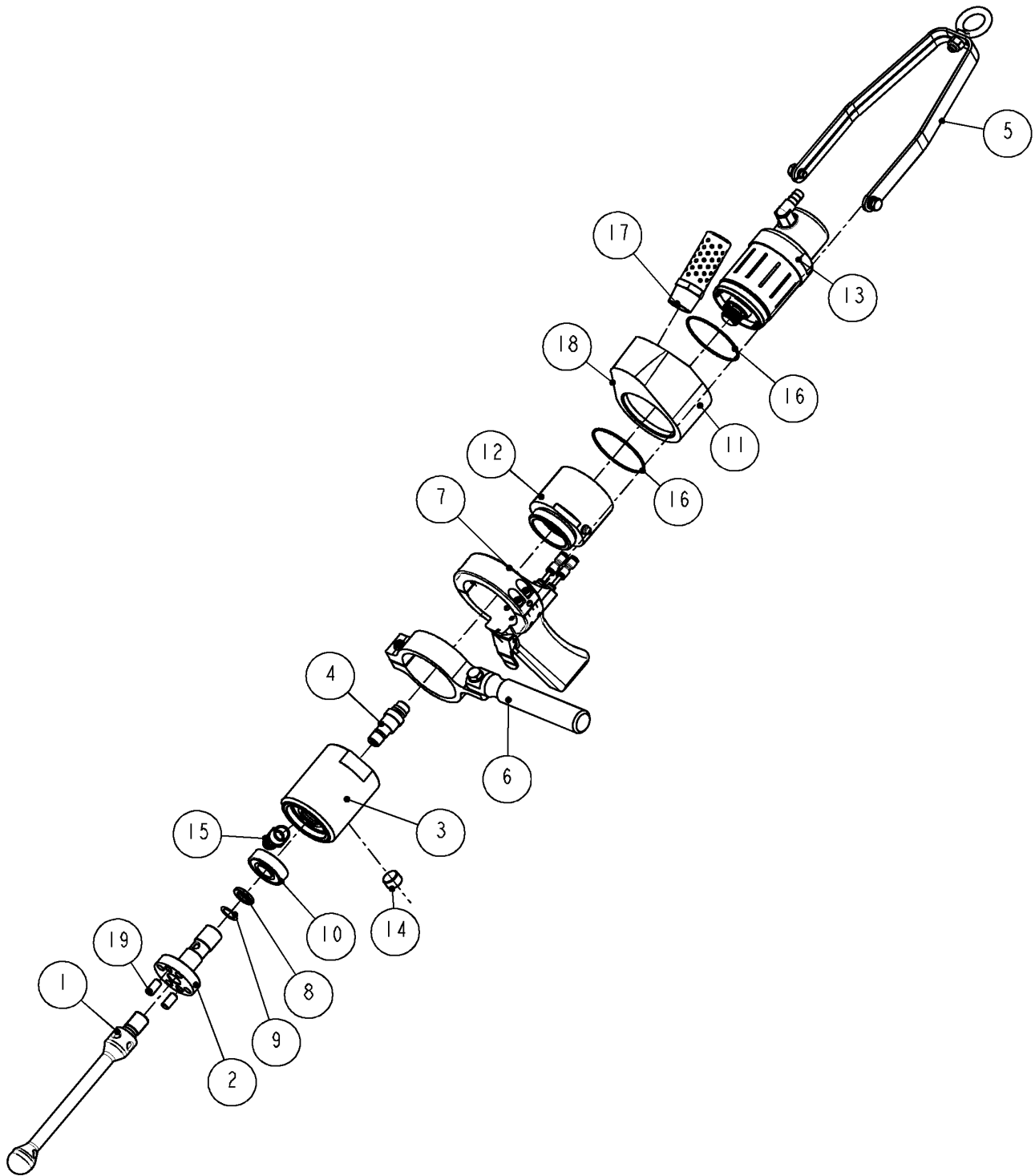
1800503: CONTROL VALVE ASS'Y W/ HOSES			
ITEM	PART #	DESCRIPTION	QTY
1	1800502	VALVES	1
2	7038150	UNION	1
3	7300930	TUBE, GREEN	2
4	7300970	RED AIR TUBE	1
5	7300980	GREEN AIR TUBE	1
6	7310700	HOSE, GREY	1
7	7310710	HOSE, BLACK	1

CONTROL VALVE w/HOSES

1800502: VALVE ASS'Y - VACUUM / AIR			
ITEM	PART #	DESCRIPTION	QTY
1	1800510	MOUNTING BASE- VALVES	1
2	7002060	NIPPLE	1
3	7002470	HEX BUSHING	1
4	7004900	MALE NIPPLE	1
5	7004910	MALE NIPPLE	1
6	7004920	BARBED HOSE FITTING	1
7	7008460	MALE RUN TEE	1
8	7036510	ELBOW	1
9	7036520	ELBOW	2
10	7805180	VACUUM VALVE	1
11	7805200	VALVE- POPPET	1
12	7904030	CLAMP	2
13	8211240	SCREW	2



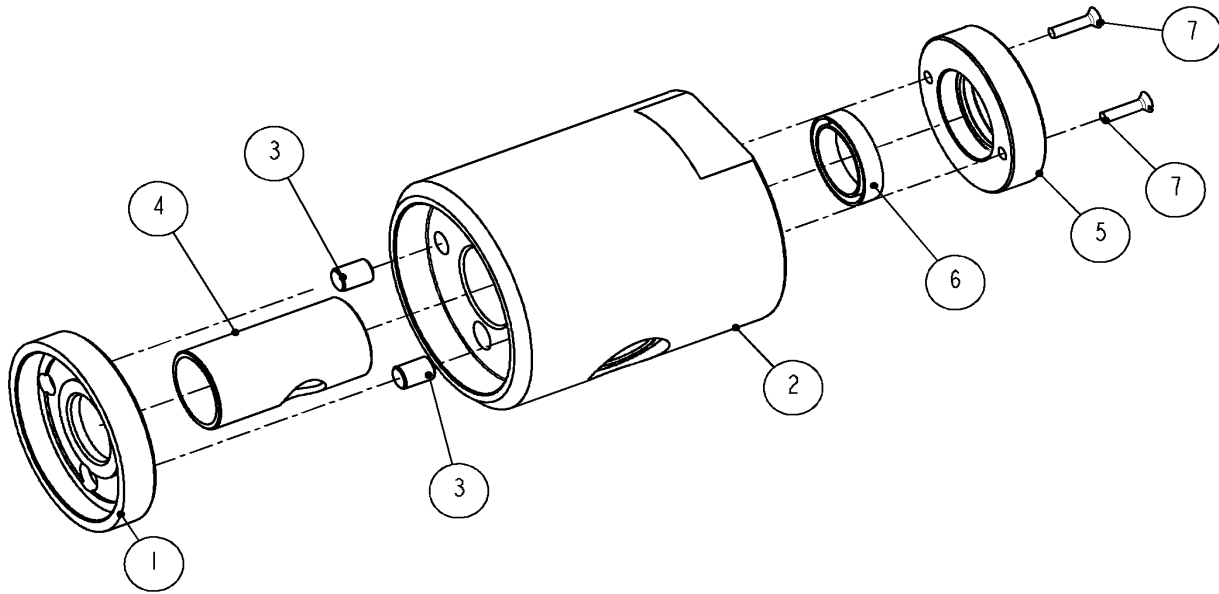
CONTROL VALVE SSEMBLY



BUNG GUN TOOL ASSEMBLY

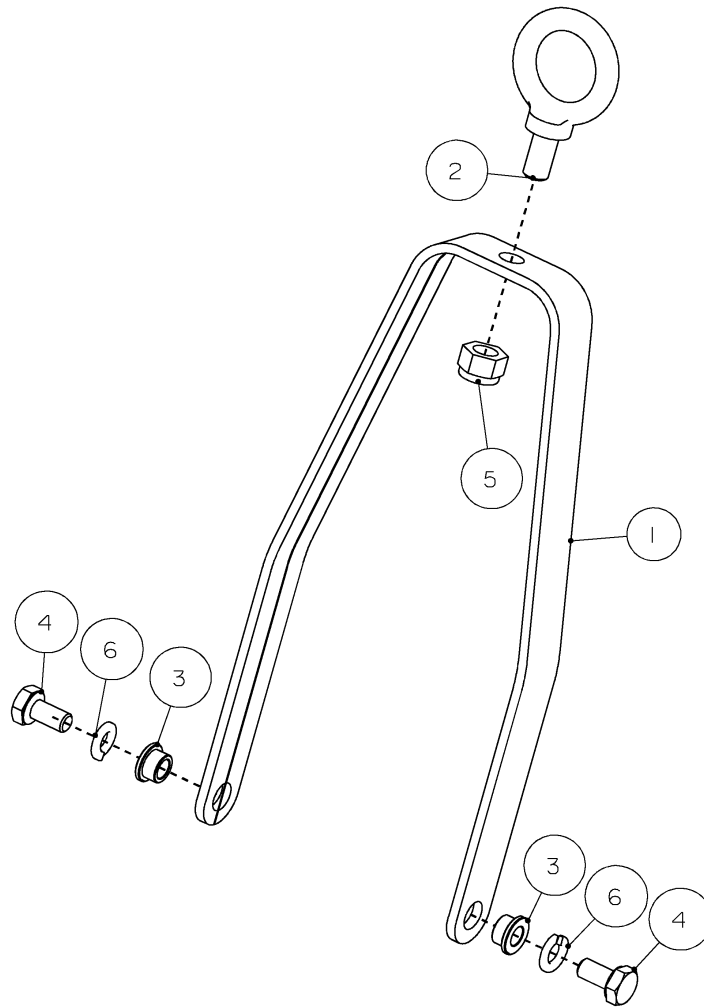
6800100: BUNG GUN TOOL			
ITEM	PART #	DESCRIPTION	QTY
1	1800020	PILOT	1
2	1800030	BODY PILOT (WITH PINS)	1
3	1800103	ADAPTER ASSEMBLY	1
4	1800170	SHAFT	1
5	1800201	HANGER ASSEMBLY	1
6	1800301	STRAIGHT HANDLE w/ BRACKET	1
7	1800400	PISTOL HANDLE ASSEMBLY	1
8	1800610	SPACER	1
9	1800620	SPACER	1
10	3204030	BEARING	1
11	6000940	DEFLECTOR	1
12	6001010	GEAR CASE ASSEMBLY	1
13	6003400	ASM AIR MOTOR	1
14	7000030	PLUG	1
15	7004710	MALE NIPPLE	1
16	7680360	O-RING	2
17	7802230	MUFFLER	1
18	8311030	SET SCREW	1
19	8620650	PIN	2

BOM - BUNG GUN TOOL ASSEMBLY



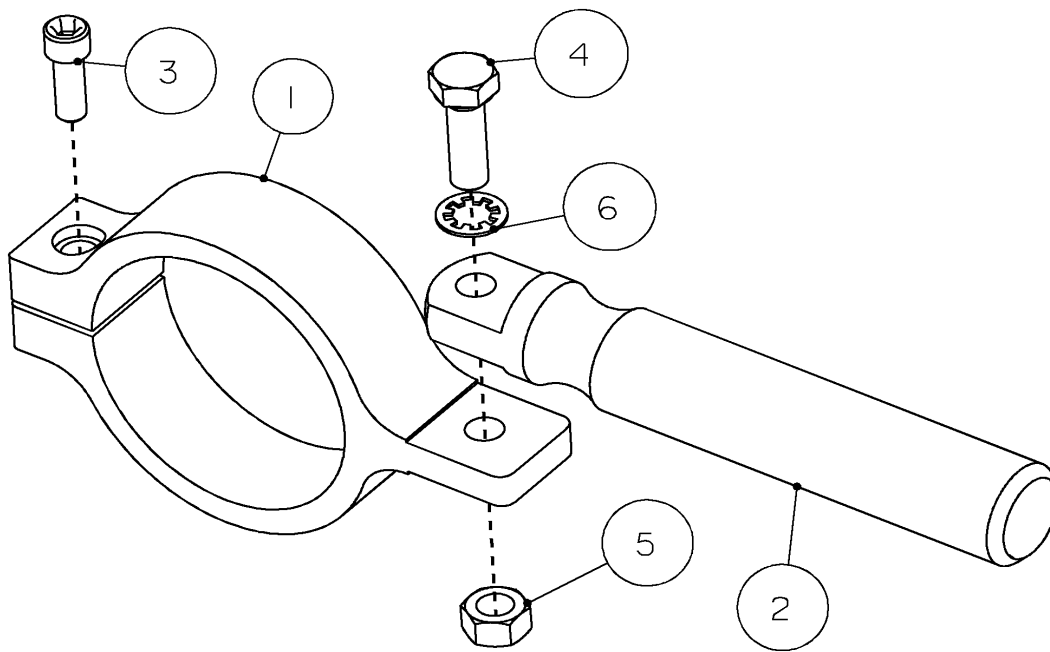
1800103 : ADAPTER ASSEMBLY			
ITEM	PART #	DESCRIPTION	QTY
1	1800040	CUP SEAL	1
2	1800053	ADAPTER	1
3	1800060	PIN- SEAL	2
4	1800070	BEARING - ADAPTER	1
5	1800080	CAP- SEAL	1
6	7798240	SEAL	1
7	8004040	SCREW	2

ADAPTER ASSEMBLY



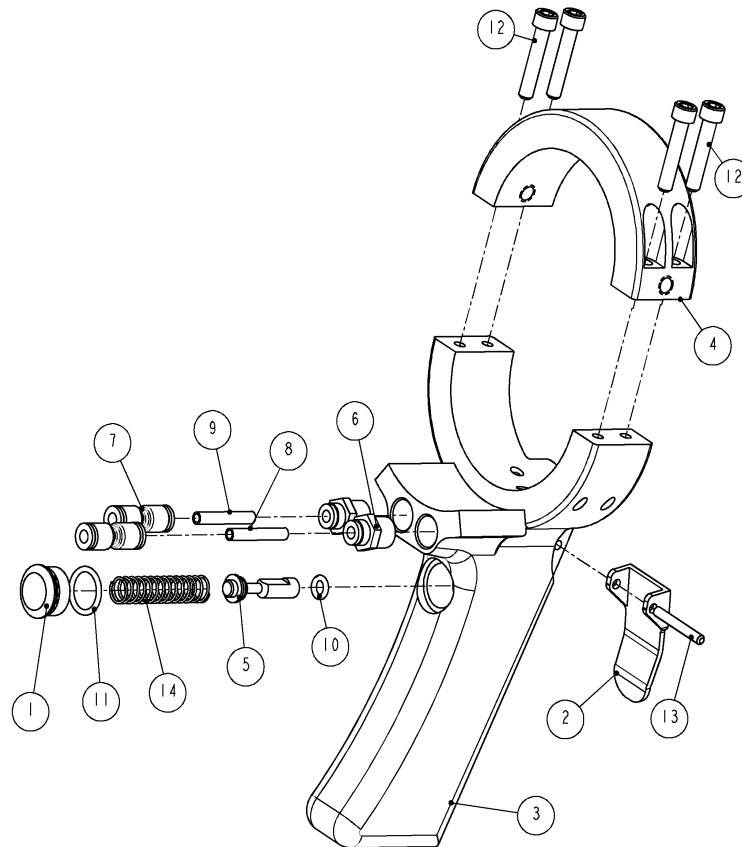
1800201: HANGER ASSEMBLY			
ITEM	PART #	DESCRIPTION	QTY
1	1800141	BRACKET- HANGER	1
2	1800180	EYEBOLT- HANGER	1
3	3860130	BEARING	2
4	8411040	SCREW	2
5	8504130	NUT	1
6	8506100	WASHER	2

HANGER ASSEMBLY



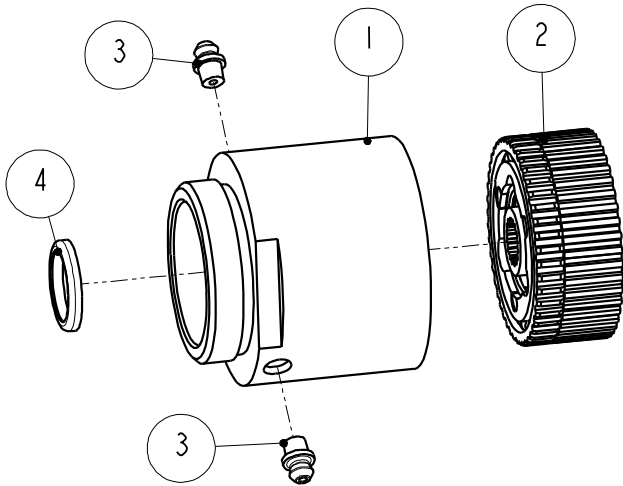
1800301: STRAIGHT HANDLE w/ BRACKET			
ITEM	PART #	DESCRIPTION	QTY
1	1800111	HANGER - HANDLE	1
2	6211030	HANDLE	1
3	8211060	SCREW	1
4	8413080	SCREW	1
5	8500130	NUT	1
6	8507150	WASHER	1

STRAIGHT HANDLE w/ BRACKET



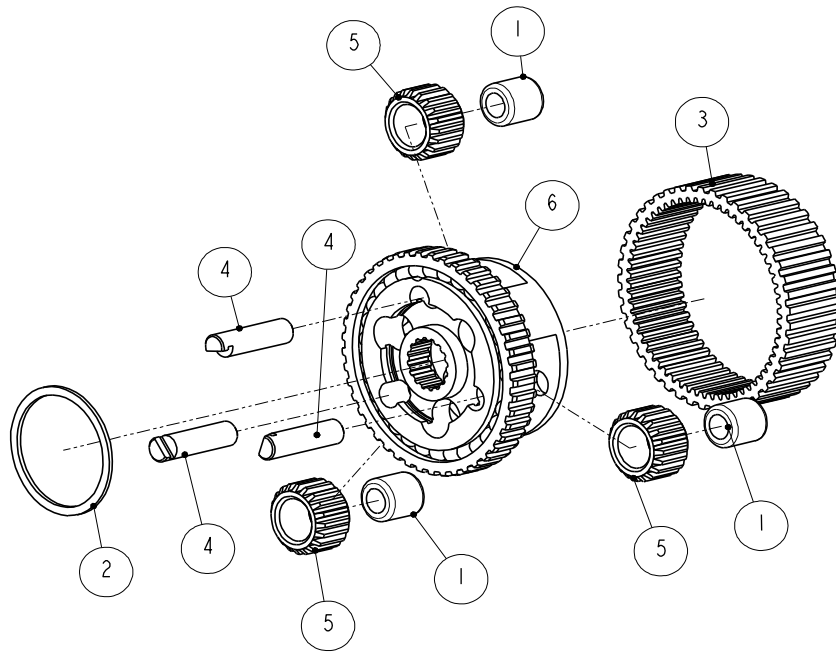
1800400: PISTOL HANDLE ASSEMBLY			
ITEM	PART #	DESCRIPTION	QTY
1	6300770	VALVE PLUG	1
2	6302431	LEVER	1
3	6320120	HANDLE	1
4	6320131	BRACKET, HANDLE	1
5	6600360	VALVE STEM	1
6	7036030	FITTING	2
7	7037860	UNION	2
8	7300710	RED AIR TUBE	1
9	7300720	GREEN AIR TUBE	1
10	7680080	O-RING	1
11	7680140	O-RING	1
12	8209080	SCREW	4
13	8620080	PIN	1
14	8890010	SPRING	1

PISTOL HANDLE ASSEMBLY



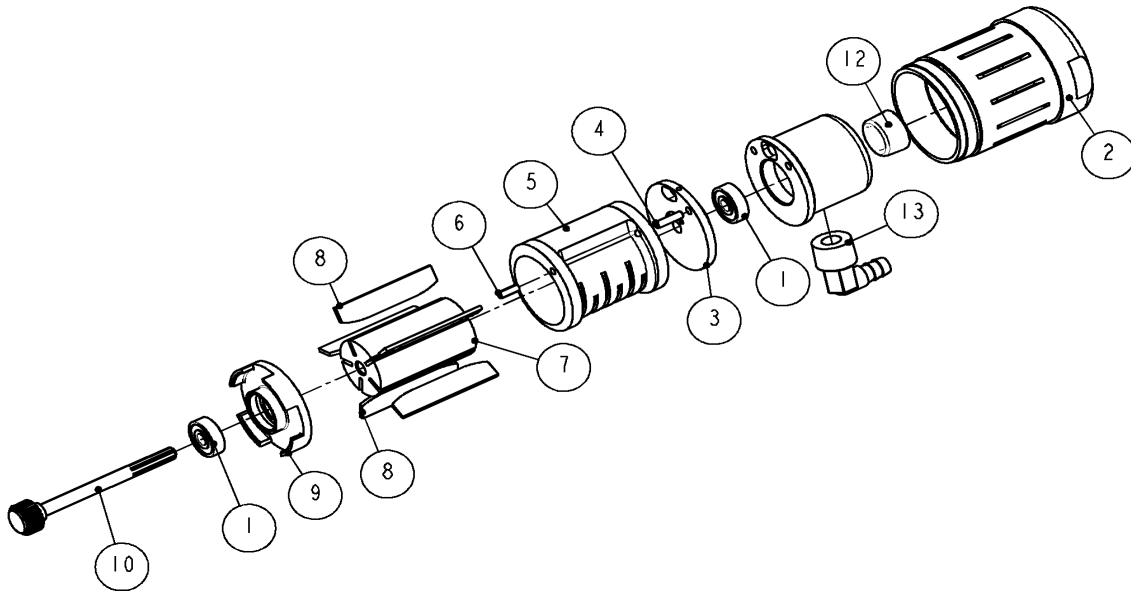
ASSEMBLY No: 6001010		GEAR CASE ASSEMBLY	
ITEM	PART #	DESCRIPTION	QTY
1	6000860	GEAR CASE	1
2	6001030	GEAR CAGE	1
3	7017110	GREASE FITTING	2
4	7774100	SEAL	1

GEAR CASE ASSEMBLY



ASSEMBLY No: 6001030		GEAR CAGE	
ITEM	PART #	DESCRIPTION	QTY
1	3700470	NEEDLE BEARING	3
2	5601250	RETAINING RING	1
3	6000790	RING GEAR	1
4	6001040	PIN	3
5	6001050	IDLER GEAR	3
6	6001060	GEAR CAGE AND SPLINE RING ASSEMBLY	1

GEAR CAGE ASSEMBLY



6003400: ASM AIR MOTOR			
ITEM	PART #	DESCRIPTION	QTY
1	3071370	BEARING	2
2	6000660	HOUSING - AIR MOTOR	1
3	6000700	UPPER END PLATE	1
4	6000710	PIN	1
5	6000720	CYLINDER	1
6	6000730	PIN	1
7	6000740	ROTOR	1
8	6000750	ROTOR BLADES (SET OF 5)	5
9	6000760	LOWER END PLATE	1
10	6001020	LONG GEAR SPINDLE	1
11	6320160	HEAD, AIR MOTOR	1
12	7000040	PLUG	1
13	7004850	HOSE NIP	1

AIR MOTOR ASSEMBLY

NOTICE TO EMPLOYER AND PURCHASER OF TOOL
NOTICE TO SAFETY DIRECTOR

You have purchased a powerful tool that, if misused, can cause severe injury and harm to your employees. You must instruct your employees in the safe and proper use of this tool and to follow the safety procedures and instructions that have been supplied by the manufacturer of this tool. Please follow the following instructions.



1. Instruct tool operators to test the tool each day before using it to be sure it does not malfunction. Remove and repair any tool that malfunctions.
2. Instruct tool operators to immediately stop using a tool that malfunctions or is defective.
3. Instruct personnel to immediately remove all tools that malfunction. Be sure to disconnect tool from power supply.
4. Instruct all personnel to stay clear of tool, and not to stand or walk in front of, or next to tool when in use.
5. Point out to all personnel the dangers related to the misuse of tool and the importance of following safety procedures and instructions.
6. Do not make, or allow others to make, alterations or modifications to this tool. Replace all lost or illegible labels.
7. Follow all safety, installation and maintenance instructions provided with this tool. Establish proper safety procedures in accordance with local and national requirements to prevent accidental energizing of tool that can cause injuries.
8. If this tool is sold or change in ownership takes place, you must provide the new owner all safety instructions, notices and maintenance instructions you were originally provided. You can obtain additional copies of the instructions from Kentmaster, free of charge upon request.
9. Give copies of instructions to:
 - (A) Tool Operators**
 - (B) Maintenance Supervisor**
 - (C) Clean-up Supervisor**

KENTMASTER MFG. CO., INC. 1801 SOUTH MOUNTAIN AVE., MONROVIA, CALIFORNIA 91016 UNITED STATES OF AMERICA
 ☎ **TELEPHONE:** (626) 359-8888 **FAX:** (626) 303-5151

Kentmaster Headquarters

Kentmaster Headquarters:

Kentmaster Mfg. Co., Inc
1801 South Mountain Ave.
Monrovia, CA, 91016

Kentmaster - Omaha, Nebraska
4417 South 139th Street
Omaha, NE, 68137

Phone: 1 (626) 359-8888
Fax: 1 (626) 303-5151

Phone: 1 (402) 896-3355
Fax: 1 (402) 896-3311

Email: Info@kentmaster.com

Email: Omaha@kentmaster.com